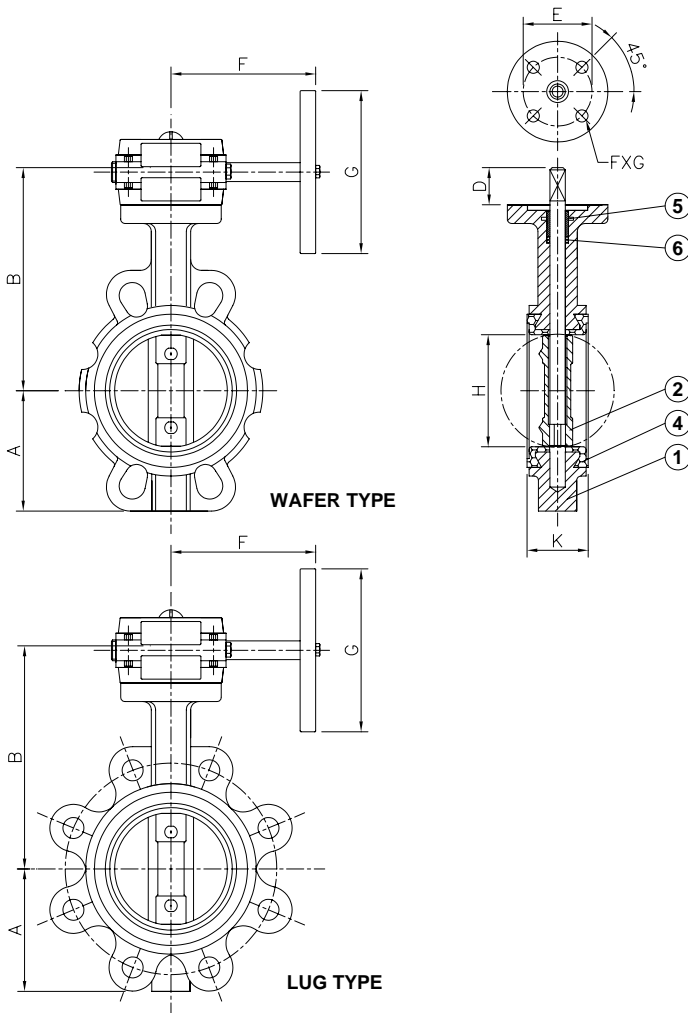


CAST IRON BUTTERFLY VALVES



SERIES 585

WAFER AND LUG TYPE, GEAR OPERATED, ISO 5211 MOUNTING FLANGED DESIGN, 150 & 230 PSI, SIZES: 2" TO 12".



MATERIALS LIST:

NO.	PART	SPECIFICATION
1	BODY	ASTM A126 CLASS B
2	DISC	ASTM A536-65-45-12
3	STEM	ASTM A182-F410
4	SEAT	NBR
5	BUSHING	NYLON
6	O-RING	NBR

OPTIONS: (Code: Description)

XA: Seat (EPDM), Disc (Aluminum Bronze)

XD: Seat (EPDM), Disc (Ductile Iron)

XS: Seat (EPDM), Disc (Stainless Steel)

YA: Seat (NBR), Disc (Aluminum Bronze)

YS: Seat (NBR), Disc (Stainless Steel)

(Material of body: ASTM A536-65-45-12 is available)



DIMENSIONS:

SIZE		A		B		E		F		G		D		K		H		FXG
IN	MM	IN	MM	IN	MM	IN	MM	IN	MM	IN	MM	IN	MM	IN	MM	IN	MM	
2"	50	3.35	85	6.22	158	2.76	70	5.39	137	5.91	150	1.26	32	1.69	43	2.21	56	10X4
2-1/2"	65	3.54	90	6.69	170	2.76	70	5.39	137	5.91	150	1.26	32	1.81	46	2.76	70	10X4
3"	80	3.86	98	6.97	177	2.76	70	5.39	137	5.91	150	1.26	32	1.81	46	3.19	81	10X4
4"	100	4.41	112	7.68	195	2.76	70	5.39	137	5.91	150	1.26	32	2.05	52	4.06	103	10X4
5"	125	4.92	125	8.25	212	2.76	70	5.39	137	5.91	150	1.26	32	2.21	56	4.96	126	10X4
6"	150	5.51	140	8.86	225	2.76	70	5.39	137	5.91	150	1.26	32	2.21	56	5.87	149	10X4
8"	200	6.69	170	10.04	255	4.02	102	8.66	220	7.87	200	1.34	34	2.36	60	7.60	193	12X4
10"	250	8.15	207	11.85	301	4.02	102	8.66	220	7.87	200	1.34	34	2.68	68	9.65	245	12X4
12"	300	9.37	238	12.80	325	4.02	102	8.66	220	7.87	200	1.34	34	3.07	78	11.65	296	12X4

DUE TO CONTINUOUS DEVELOPMENT OF OUR PRODUCTS, WE RESERVE THE RIGHT TO MODIFY OUR PRODUCT DESIGN OR CONSTRUCTION WITHOUT PRIOR NOTICE.