

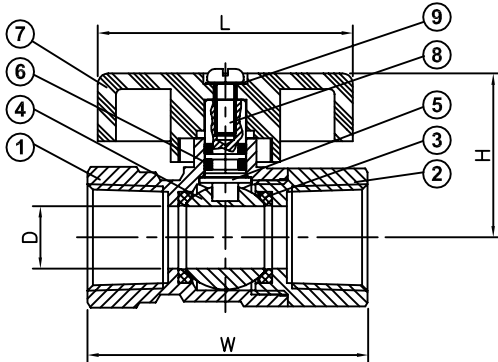
FORGED BRASS GAS BALL VALVES



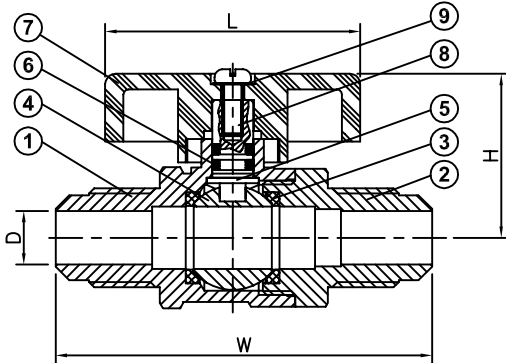
SERIES 226 227 228

2-PIECE, THREADED ENDS & FLARE ENDS & FLARE/THREADED ENDS, 400 WOG, CSA/UL APPROVAL, VALVES CONFORM TO ANSI Z21.15, CAN/CGA-3.16-M88, ASME B16.33-1990, AGA 3-88.

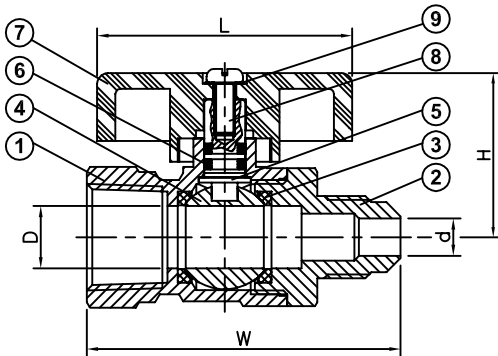
226 (CSA/UL APPROVAL)



227 (CSA/UL APPROVAL)



228 (CSA/UL APPROVAL)



MATERIALS LIST:

NO.	PART	SPECIFICATION
1	BODY	FORGED BRASS
2	END CAP	FORGED BRASS
3	SEAT	PTFE
4	BALL	COPPER ALLOY, CHROME PLATED
5	STEM	COPPER ALLOY
6	O-RING	RUBBER
7	HANDLE	AL ALLOY
8	BOLT	CARBON STEEL PLATED
9	WASHER	CARBON STEEL PLATED



DIMENSIONS:

SERIES	SIZE	D		d		W		H		L	
		IN	MM	IN	MM	IN	MM	IN	MM	IN	MM
226	3/8"(NPT)x3/8"(NPT)	0.37	9.5	-	-	1.81	46.0	1.40	35.5	1.93	49.0
226	1/2"(NPT)x1/2"(NPT)	0.47	12.0	-	-	2.12	53.8	1.22	31.0	1.93	49.0
226	3/4"(NPT)x3/4"(NPT)	0.59	15.0	-	-	2.29	58.2	1.31	33.3	1.93	49.0
226	1"(NPT)x1"(NPT)	0.79	20.0	-	-	2.89	73.3	1.54	39.0	1.93	49.0
227	1/2"(FLARE)x1/2"(FLARE)	0.41	10.3	-	-	2.85	72.3	1.22	31.0	1.93	49.0
228	1/2"(NPT)x3/8"(FLARE)	0.47	12.0	0.28	7.2	2.37	60.3	1.22	31.0	1.93	49.0
228	1/2"(NPT)x1/2"(FLARE)	0.47	12.0	0.41	10.3	2.53	64.3	1.22	31.0	1.93	49.0

DUE TO CONTINUOUS DEVELOPMENT OF OUR PRODUCTS, WE RESERVE THE RIGHT TO MODIFY OUR PRODUCT DESIGN OR CONSTRUCTION WITHOUT PRIOR NOTICE.