

FORGED BRASS BALL VALVES

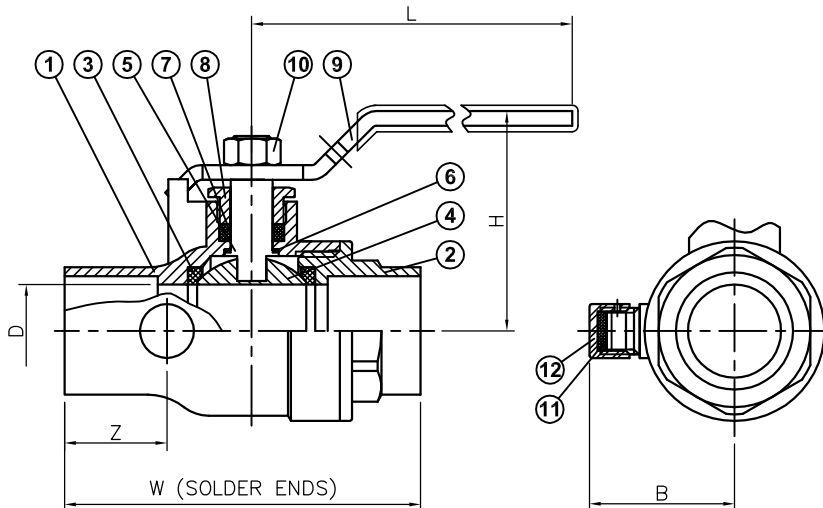
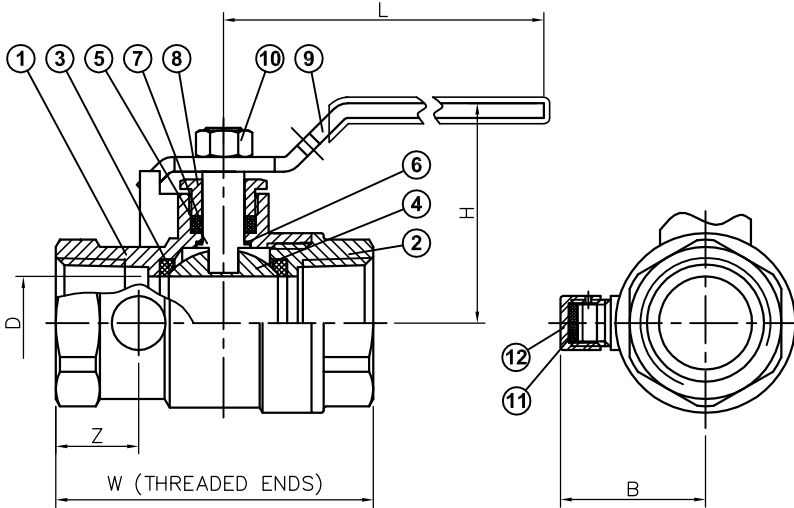


SERIES 222

2-PIECE, FULL PORT, THREADED ENDS & SOLDER ENDS, WITH MALE TAPPED BOSS, 600 WOG.

MATERIALS LIST:

NO.	PART	SPECIFICATION
1	BODY	FORGED BRASS
2	END CAP	FORGED BRASS
3	SEAT	PTFE
4	BALL	COPPER ALLOY, CHROME PLATED
5	STEM	COPPER ALLOY
6	THRUST WASHER	PTFE
7	PACKING	PTFE
8	GLAND	COPPER ALLOY
9	HANDLE	CARBON STEEL PLATED
10	NUT	CARBON STEEL PLATED
11	PACKING	RUBBER
12	CAP	COPPER ALLOY



DIMENSIONS:

SIZE		D		W				H		L		Z				B	
				THREADED		SOLDER						THREADED		SOLDER			
IN	MM	IN	MM	IN	MM	IN	MM	IN	MM	IN	MM	IN	MM	IN	MM	IN	MM
1/2"	15	0.5	12.7	2.32	59	2.07	52.7	1.417	36	3.228	82	0.649	16.5	0.598	15.2	1.03	26.2
3/4"	20	0.75	19	2.55	64.8	2.86	72.7	1.768	44.9	3.937	100	0.665	16.9	0.866	22	1.22	31.2
1"	25	0.98	25	3.07	78.2	3.42	86.9	2.268	57.6	4.724	120	0.787	20	1.023	26	1.40	35.7

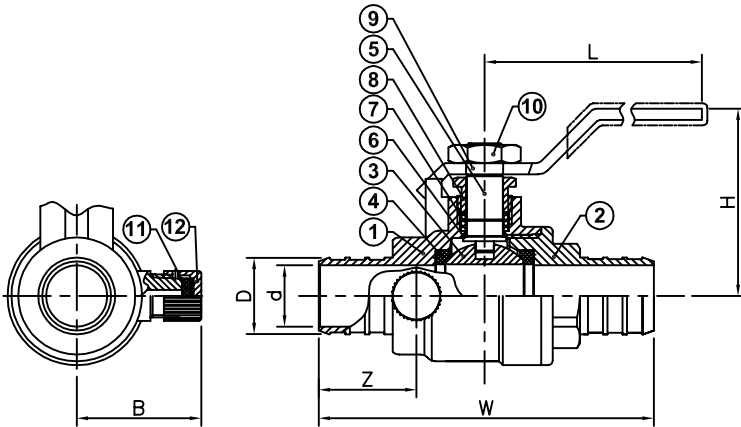
DUE TO CONTINUOUS DEVELOPMENT OF OUR PRODUCTS, WE RESERVE THE RIGHT TO MODIFY OUR PRODUCT DESIGN OR CONSTRUCTION WITHOUT PRIOR NOTICE.

FORGED BRASS BALL VALVES



SERIES 222

2-PIECE, FORGED BRASS, REGULAR PORT, PEX ENDS, 600 WOG, WITH MALE TAPPED BOSS, VALVES CONFORM TO ASTM F1807-04.



MATERIALS LIST:

NO.	PART	SPECIFICATION
1	BODY	FORGED BRASS
2	END CAP	FORGED BRASS
3	BALL	COPPER ALLOY, CHROME PLATED
4	SEAT	PTFE
5	STEM	COPPER ALLOY
6	THRUST WASHER	PTFE
7	PACKING	PTFE
8	GLAND	COPPER ALLOY
9	HANDLE	CARBON STEEL PLATED
10	NUT	CARBON STEEL PLATED
11	PACKING	NBR
12	CAP	COPPER ALLOY



DIMENSIONS:

SIZE		D		d		W		H		L		B		Z	
IN	MM	IN	MM	IN	MM	IN	MM	IN	MM	IN	MM	IN	MM	IN	MM
1/2"	8.0	0.47	12.0	0.36	9.1	2.63	66.8	1.48	37.6	3.31	84.0	0.76	19.3	0.86	21.9
3/4"	10.0	0.67	16.9	0.54	13.7	2.91	73.9	1.65	42.0	3.31	84.0	0.92	23.3	0.88	22.3

DUE TO CONTINUOUS DEVELOPMENT OF OUR PRODUCTS, WE RESERVE THE RIGHT TO MODIFY OUR PRODUCT DESIGN OR CONSTRUCTION WITHOUT PRIOR NOTICE.