



Crown - fusion

Series 332

Threaded and Socket weld Full Port Three-Piece/Bolted Ball Valve

¼" ~ 2" sizes, 2000 WOG

2 ½" ~ 3" sizes, 1500 WOG

ASME B16.34 Standard

Blowout Proof Stem

Materials to NACE MR0175

Standard Marking to MSS SP-25

Fire Safe Certified to API 607

API 608 Compliance to 2"

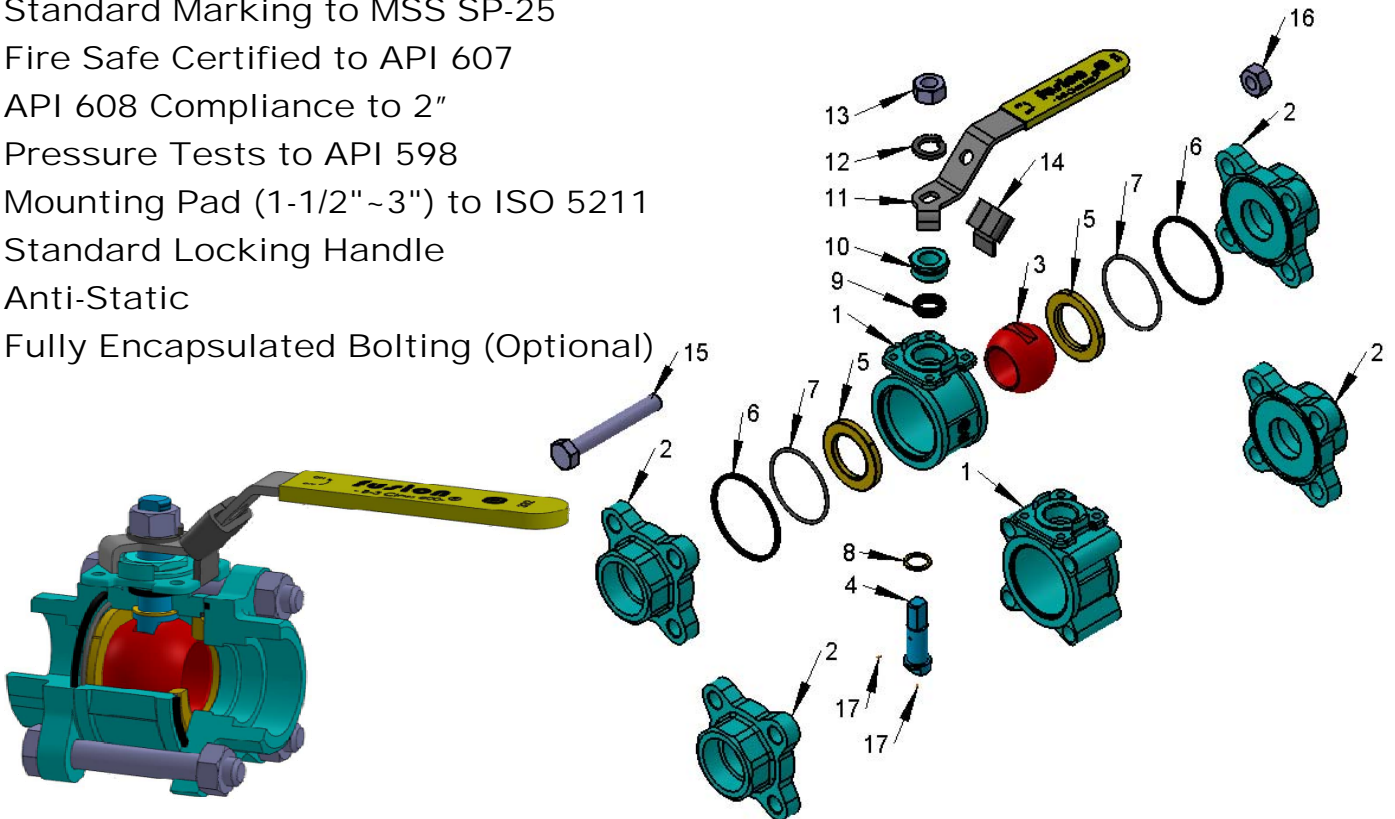
Pressure Tests to API 598

Mounting Pad (1-1/2"~3") to ISO 5211

Standard Locking Handle

Anti-Static

Fully Encapsulated Bolting (Optional)



Bill of Materials

ITEM	PART	STAINLESS STEEL	SOUR LOW TEMP (NACE)	SOUR (NACE)	Q'TY
1	BODY	ASTM A351 CF8M	ASTM A352 LCC	ASTM A216 WCB	1
2	END CAP	ASTM A351 CF8M	ASTM A352 LCC	ASTM A216 WCB	2
3	BALL	ASTM A351 CF8M	ASTM A351 CF8M	ASTM A351 CF8M	1
4	STEM	ASTM A564 630	ASTM A564 630	ASTM A564 630	1
☆5	SEAT	TFM	TFM	TFM	2
☆6	GASKET	GRAPHITE	GRAPHITE	GRAPHITE	2
☆7	BODY O-ring	TEFLON	VITON GLT	VITON	2
☆8	THRUST WASHER	RTFE	RTFE	RTFE	1
☆9	PACKING	GRAPHITE	GRAPHITE	GRAPHITE	1
10	GLAND	304SS	304SS	304SS	1
11	HANDLE	304SS	C/S PLATED	C/S PLATED	1
12	STEM WASHER	304SS	C/S PLATED	C/S PLATED	1
13	HANDLE NUT	304SS	C/S PLATED	C/S PLATED	1
14	LOCKING DEVICE	304SS	C/S PLATED	C/S PLATED	1
15	BOLT	ASTM A320 L7M PLATED	ASTM A320 L7M	ASTM A320 L7M	4 - 6
16	NUT	ASTM A194 7ML PLATED	ASTM A194 7ML	ASTM A194 7ML	4 -12
17	SPRING	304SS	304SS	304SS	2

Note 1 : ☆ Minor repair Kit ;

Note 2 : (Item 15) stud on 3" ;

Option 1 : (Item 1) Encapsulated bolting Body.

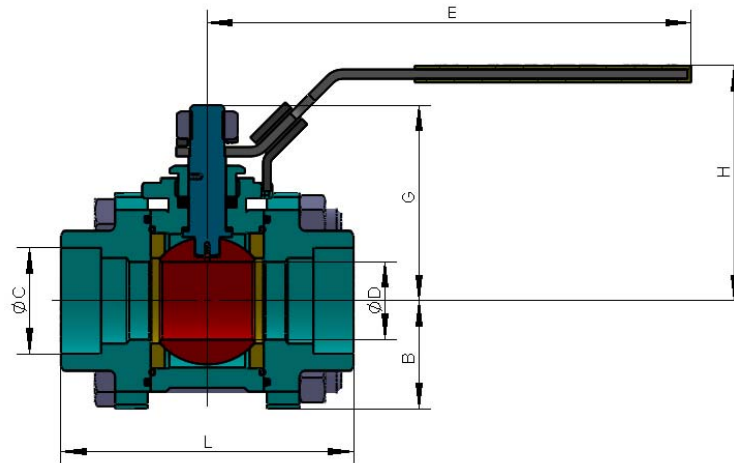
FVSFI-CAT-332-0324



Crown - fusion



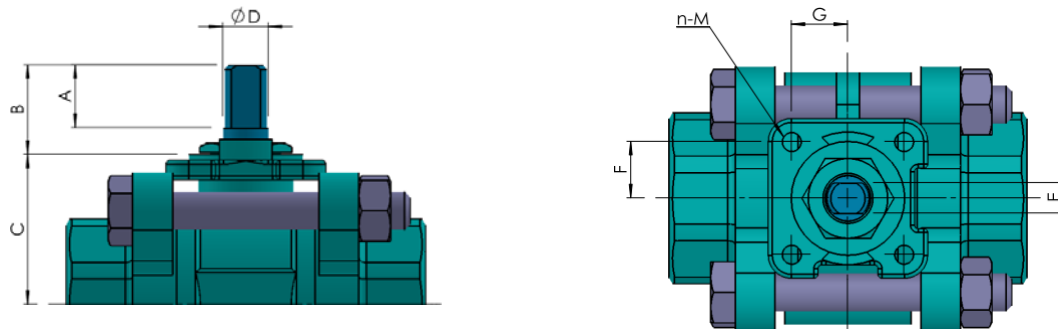
Crown - fusion Series 332



Weights and Dimensions

SIZE	PSI/PN	BORE	D	C(SW)	L	B	G	H	E	Cv	WEIGHT
In /DN			In/mm	In/mm	In/mm	In/mm	In/mm	In/mm	In/mm	Gal/min	Kg/Lbs
1/4 / 8	2000/130	FP	0.36/9.2	0.56/14.4	2.28/58	0.78/23	1.23/31	1.86/47	3.82/97	12	0.4/0.9
3/8 / 10	2000/130	FP	0.36/9.2	0.69/17.7	2.28/58	0.78/23	1.23/31	1.86/47	3.82/97	13	0.4/0.9
1/2 / 15	2000/130	FP	0.50/12.7	0.86/22.0	2.87/73	1.05/27	1.84/47	2.44/62	4.92/125	26	0.8/1.8
3/4 / 20	2000/130	FP	0.75/19.1	1.07/27.4	3.03/77	1.14/29	1.99/51	2.58/66	4.92/125	61	1.0/2.2
1 / 25	2000/130	FP	0.98/25.0	1.33/34.1	3.72/95	1.37/35	2.48/63	2.93/75	6.10/155	110	1.7/3.7
1-1/4 / 32	2000/130	FP	1.25/32.0	1.68/42.9	4.25/108	1.64/42	2.68/68	3.13/80	6.10/155	170	2.7/6.0
1-1/2 / 40	2000/130	FP	1.50/38.0	1.92/49.0	4.80/122	1.91/49	3.24/82	3.42/87	6.69/170	260	3.5/7.7
2 / 50	2000/130	FP	1.97/50.0	2.41/61.4	5.82/148	2.28/58	3.57/91	4.62/117	10.04/255	480	6.8/15.0
	2000/130	RP	1.50/38.0	2.41/61.4	5.82/148	2.13/54	3.24/82	3.42/87	6.69/170	100	5.6/12.3
2-1/2 / 65	1500/100	FP	2.50/63.5	2.91/74.0	7.00/178	2.80/71	4.42/112	5.96/151	15.98/406	800	14.0/30.8
3 / 80	1500/100	FP	3.00/76.2	3.54/90.0	7.57/192	3.10/79	5.30/135	6.83/174	15.98/406	1150	19.0/41.9

Note : "L" DIMENSION ± 0.06 in. / 1.5 mm



Actuator Mounting Dimensions

SIZE	PSI/PN	BORE	A	B	C	D	E(FLAT)	F	G	n-M
In /DN			In/mm	In/mm	In/mm	In/mm	In/mm	In/mm	In/mm	mm
1/4 / 8	2000/130	FP	0.31/8	0.45 /12	0.77/20	0.31/8	0.20/5	0.33/9	0.33/9	4-M5
3/8 / 10	2000/130	FP	0.31/8	0.45 /12	0.77/20	0.31/8	0.20/5	0.33/9	0.33/9	4-M5
1/2 / 15	2000/130	FP	0.42/11	0.67/17	1.18/30	0.39/10	0.24/6	0.44/11	0.44/11	4-M6
3/4 / 20	2000/130	FP	0.43/11	0.73/19	1.28/33	0.39/10	0.24/6	0.44/11	0.44/11	4-M6
1 / 25	2000/130	FP	0.65/17	0.98/25	1.50/38	0.47/12	0.31/8	0.58/15	0.58/15	4-M6
1-1/4 / 32	2000/130	FP	0.65/17	0.94/24	1.73/44	0.47/12	0.31/8	0.58/15	0.58/15	4-M6
1-1/2 / 40	2000/130	FP	0.93/24	1.28/33	1.95/50	0.63/16	0.39/10	0.70/18	0.70/18	4-M6
2 / 50	2000/130	FP	0.93/24	1.32/34	2.26/58	0.63/16	0.39/10	0.70/18	0.70/18	4-M6
	2000/130	RP	0.93/24	1.28/33	1.95/50	0.63/16	0.39/10	0.70/18	0.70/18	4-M6
2-1/2 / 65	1500/100	FP	1.02/28	1.52/39	2.89/74	0.79/20	0.47/12	0.97/25	0.97/25	4-M8
3 / 80	1500/100	FP	1.02/28	1.54/39	3.78/96	0.79/20	0.47/12	1.42/36	1.42/36	4-M10

Due to continuous development of our products, we reserve the right to modify our product design or construction without prior notice.

