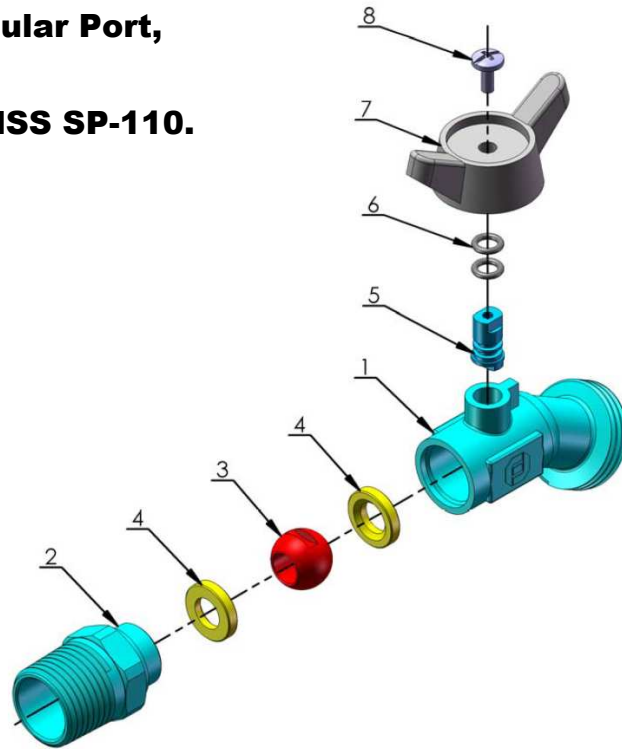


Fortune Series 271

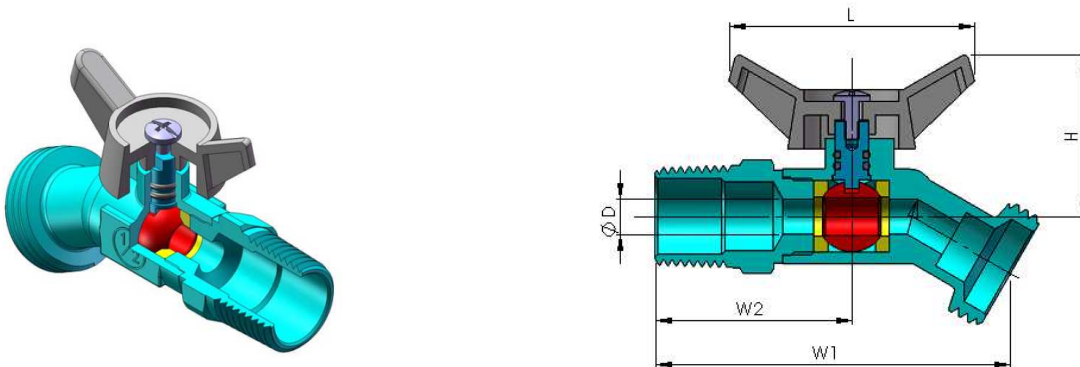
Quarter Turn Hose Bibb
1/2" & 3/4" , Forged Brass, Regular Port,
Two-Piece Construction,
200 WOG Valves Conform To MSS SP-110.
Inlet: MIP Threaded Or Solder
Outlet: Hose Threaded



Bill of Materials

ITEM	PART	SPECIFICATION	Q'TY
1	BODY	FORGED BRASS	1
2	END CAP	FORGED BRASS	1
3	BALL	COPPER ALLOY, CHROME PLATED	1
4	SEAT	PTFE	2
5	STEM	COPPER ALLOY	1
6	O-RING	NBR	2
7	HANDLE	AL ALLOY	1
8	BOLT	CARBON STEEL PLATED	1

271-TH

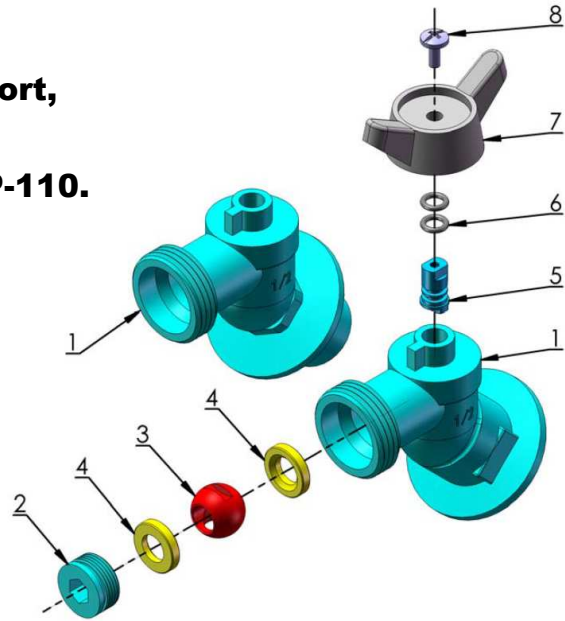


Weights and Dimensions

SIZE	D	W1	W2	L	H
In / DN	In / mm	In / mm	In / mm	In / mm	In / mm
1/2 / 15	0.30 / 7.5	2.95 / 75	1.63 / 41.5	2.08 / 52.8	1.32 / 33.5
3/4 / 20	0.30 / 7.5	3.07 / 78	1.75 / 44.5	2.08 / 52.8	1.32 / 33.5

Fortune Series 274

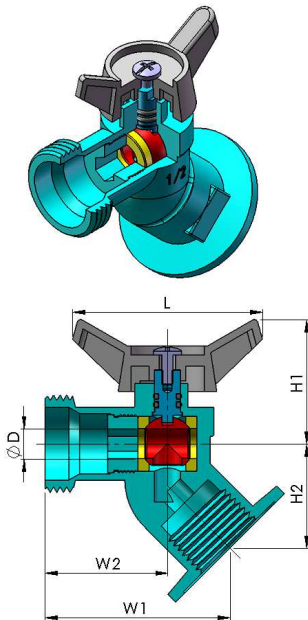
Quarter Turn Sillcock
1/2" & 3/4" , Forged Brass, Regular Port,
Two-Piece Construction,
200 WOG Valves Conform To MSS SP-110.
Inlet: FIP Threaded & Solder
Outlet: Hose Threaded



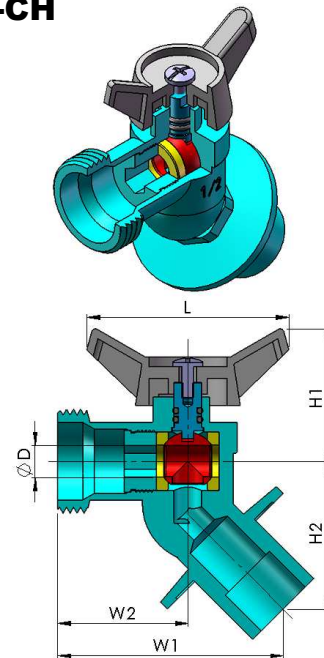
Bill of Materials

ITEM	PART	SPECIFICATION	Q'TY
1	BODY	FORGED BRASS	1
2	END CAP	COPPER ALLOY	1
3	BALL	COPPER ALLOY, CHROME PLATED	1
4	SEAT	PTFE	2
5	STEM	COPPER ALLOY	1
6	O-RING	NBR	2
7	HANDLE	AL ALLOY	1
8	BOLT	CARBON STEEL PLATED	1

274-TH



274-CH

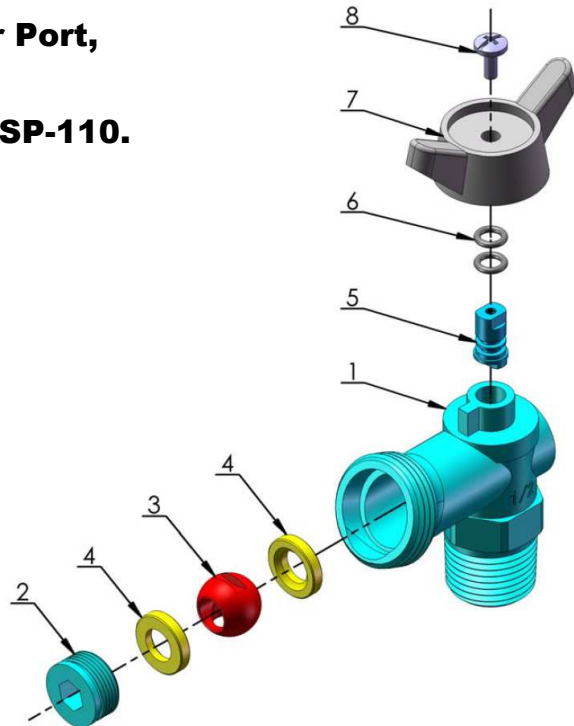


Weights and Dimensions

SIZE	D	W1		W2	L	H1	H2	
		TH	CH				TH	CH
In / DN	In / mm	In / mm	In / mm	In / mm	In / mm	In / mm	In / mm	In / mm
1/2 / 15	0.30 / 7.5	2.00 / 51	2.28 / 58	1.32 / 33.5	2.08 / 52.8	1.32 / 33.5	1.14 / 29	1.50 / 38
3/4 / 20	0.30 / 7.5	2.00 / 51	2.28 / 58	1.32 / 33.5	2.08 / 52.8	1.32 / 33.5	1.14 / 29	1.50 / 38

Fortune Series 275

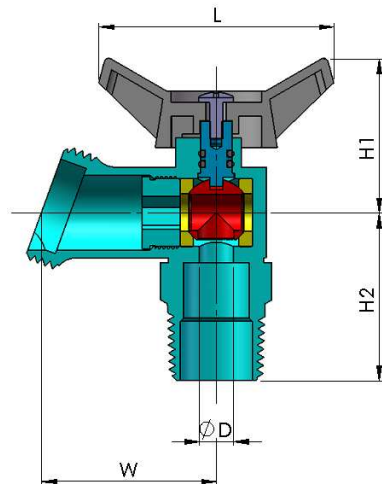
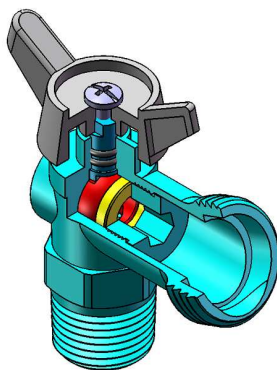
Quarter Turn Boiler Drain
1/2" & 3/4" , Forged Brass, Regular Port,
Two-Piece Construction,
200 WOG Valves Conform To MSS SP-110.
Inlet: MIP Threaded or Solder
Outlet: Hose Threaded



Bill of Materials

ITEM	PART	SPECIFICATION	Q'TY
1	BODY	FORGED BRASS	1
2	END CAP	COPPER ALLOY	1
3	BALL	COPPER ALLOY, CHROME PLATED	1
4	SEAT	PTFE	2
5	STEM	COPPER ALLOY	1
6	O-RING	NBR	2
7	HANDLE	AL ALLOY	1
8	BOLT	CARBON STEEL PLATED	1

275-TH

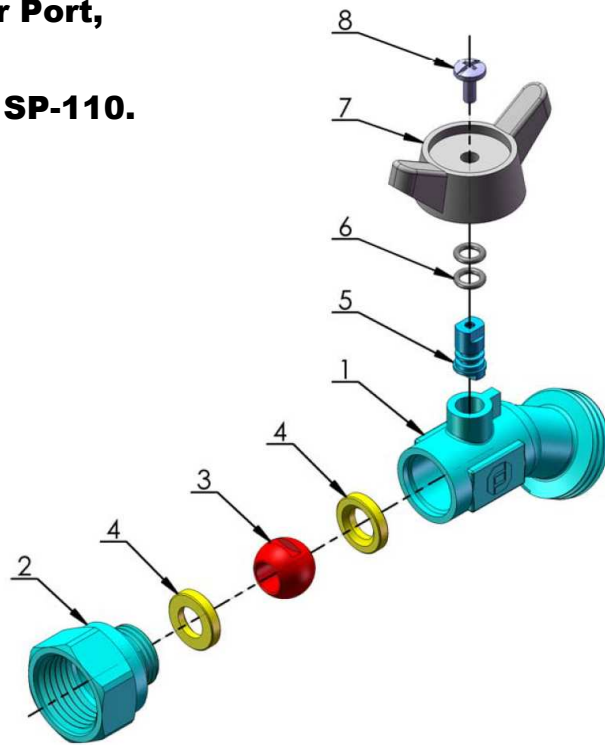


Weights and Dimensions

SIZE	D	W	H1	H2	L
In / DN	In / mm	In / mm	In / mm	In / mm	In / mm
1/2 / 15	0.30 / 7.5	1.48 / 37.7	1.32 / 33.5	1.46 / 37	2.08 / 52.8
3/4 / 20	0.30 / 7.5	1.48 / 37.7	1.32 / 33.5	1.54 / 39	2.08 / 52.8

Fortune Series 276

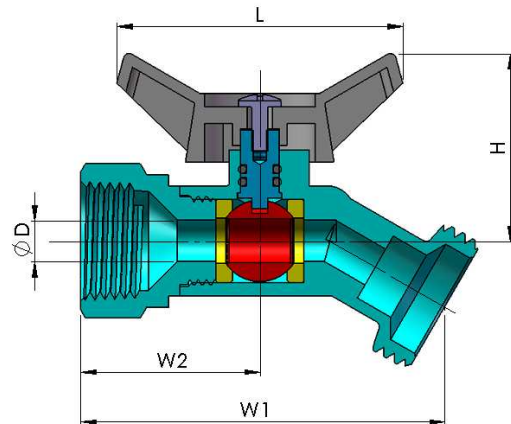
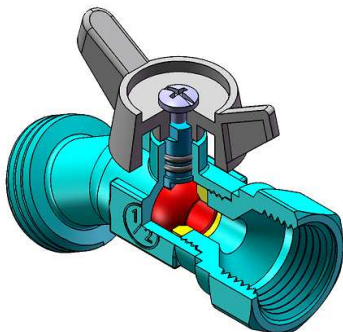
Quarter Turn Hose Bibb
1/2" & 3/4" , Forged Brass, Regular Port,
Two-Piece Construction,
200 WOG Valves Conform To MSS SP-110.
Inlet: FIP Threaded
Outlet: Hose Threaded



Bill of Materials

ITEM	PART	SPECIFICATION	Q'TY
1	BODY	FORGED BRASS	1
2	END CAP	FORGED BRASS	1
3	BALL	COPPER ALLOY, CHROME PLATED	1
4	SEAT	PTFE	2
5	STEM	COPPER ALLOY	1
6	O-RING	NBR	2
7	HANDLE	AL ALLOY	1
8	BOLT	CARBON STEEL PLATED	1

276-TH



Weights and Dimensions

SIZE	D	W1	W2	L	H
In / DN	In / mm	In / mm	In / mm	In / mm	In / mm
1/2 / 15	0.30 / 7.5	2.60 / 66	1.20 / 30.5	2.08 / 52.8	1.32 / 33.5
3/4 / 20	0.30 / 7.5	2.64 / 67	1.24 / 31.5	2.08 / 52.8	1.32 / 33.5