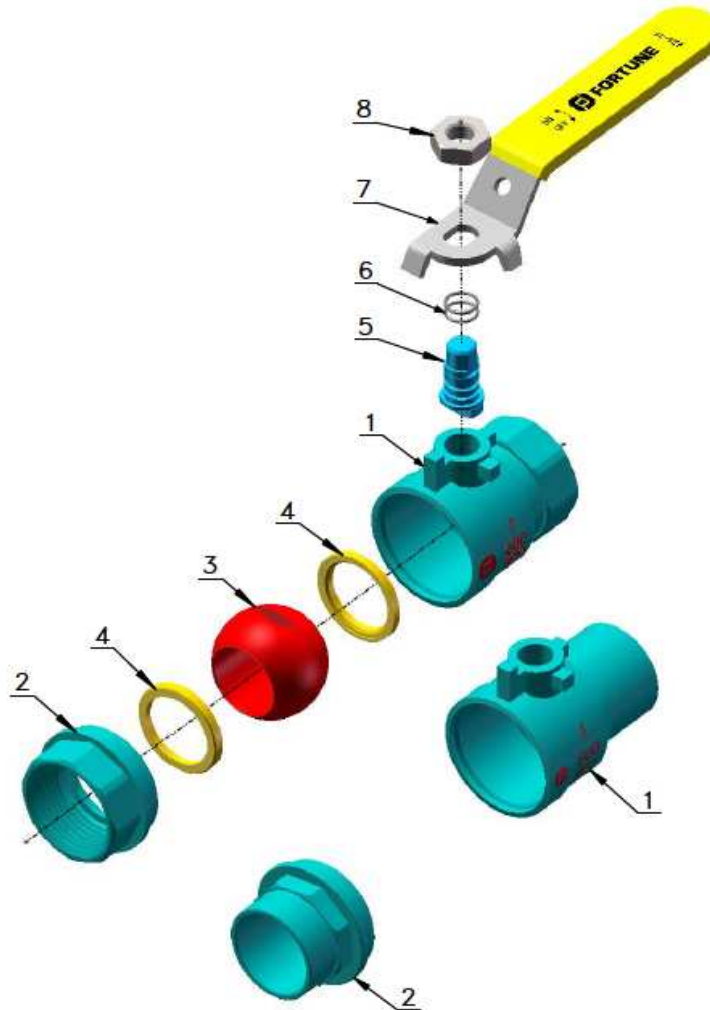


Fortune Series 224

1/4" ~ 4", Full Port, Two-Piece Construction, 600 WOG, 150 SWP (Option: 2-1/2" ~ 4" 400 WOG, 125 SWP), Blowout Proof Stem, Double O-Ring Design, MSS SP-110 Standard, Threaded Ends & Solder Ends, Forged Brass Material, Lead-Free Version Available (LF224)

CSA Approval

- Pilot Adjustable National Standard of Canada. Class 3371-08 Requirement Can1-91
- Gas Lever Non Lubricated Shut off Valve. Class 3371-10 Requirement CGA-3.16
- Manual Gas Valves on Piping Systems. Class 3371-12. Requirement CGA CR-9102
- General Gas Valve US Standard. Class 3371.92. Requirement ANSI Z21.15
- Manual Gas Valve Metallic in Piping Systems US Standards. Class 3371-94 Requirements ANSI/ASME B16.33. -20/150F



Bill of Materials

ITEM	PART	SPECIFICATION		QTY
1	BODY	FORGED BRASS	LEAD-FREE BRASS	1
2	END CAP	FORGED BRASS	LEAD-FREE BRASS	1
3	BALL	COPPER ALLOY, CHROME PLATED	LEAD-FREE BRASS, CHROME PLATED	1
4	SEAT	PTFE	PTFE	2
5	STEM	COPPER ALLOY	COPPER ALLOY	1
6	O-RING	VITON	VITON	2
7	HANDLE	CARBON STEEL PLATED	CARBON STEEL PLATED	1
8	NUT	CARBON STEEL PLATED	CARBON STEEL PLATED	1

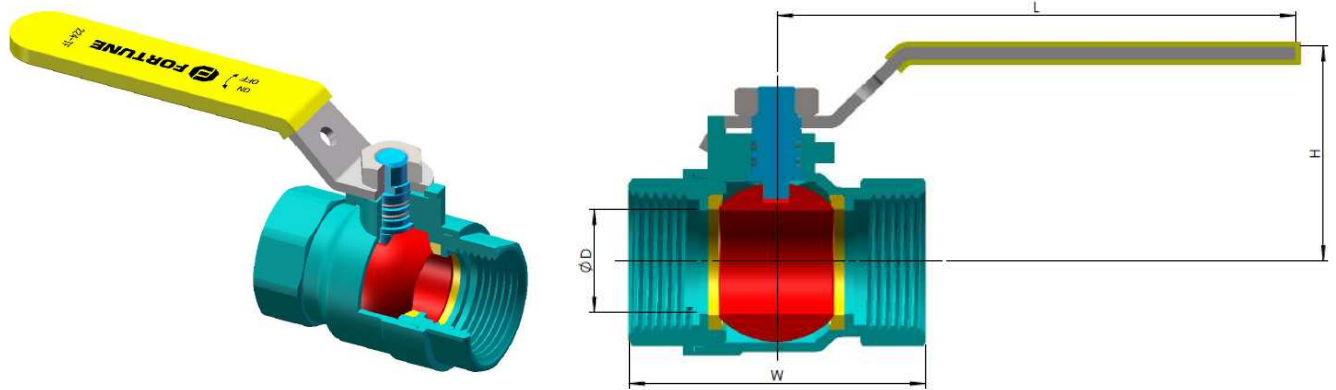
Note 1: 2-1/2 to 4" comes with the PTFE stem Thrust Washer as standard. Not shown above.

Note 2: (ITEM 3) 224-TF and 224-CC Size 1/4" to 1-1/4" with Solid Ball, Size 1-1/2" to 4" with Casting Hollow Ball.

Note 3: (ITEM 3) LF224-TF and LF224-CC Size 1/4" to 2" with Solid Ball, Size 2-1/2" to 4" with Casting Hollow Ball.

224-TF / LF224-TF

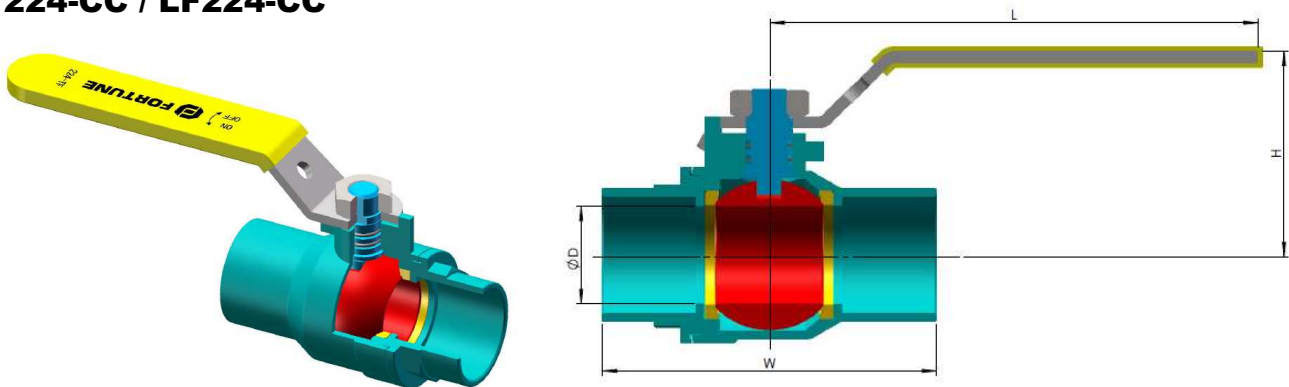
Fortune Series 224



Weights and Dimensions

SIZE	D	W	H	L	Weight
In / DN	In / mm	In / mm	In / mm	In / mm	Lb / Kg
1/4 / 8	0.31 / 8.0	1.49 / 37.9	1.13 / 28.6	3.23 / 82	0.20 / 0.09
3/8 / 10	0.31 / 8.0	1.63 / 41.5	1.13 / 28.6	3.23 / 82	0.24 / 0.11
1/2 / 15	0.44 / 11.2	1.97 / 50.0	1.27 / 32.3	3.23 / 82	0.35 / 0.16
3/4 / 20	0.69 / 17.6	2.20 / 56.0	1.51 / 38.3	3.94 / 100	0.53 / 0.24
1 / 25	0.94 / 24.0	2.70 / 68.7	1.97 / 50.1	4.72 / 120	0.93 / 0.42
1-1/4 / 32.	1.20 / 30.5	3.13 / 79.4	2.15 / 54.7	4.72 / 120	1.35 / 0.61
1-1/2 / 40	1.44 / 36.6	3.41 / 86.5	2.51 / 63.8	6.30 / 160	1.81 / 0.82
2 / 50	1.94 / 49.3	3.98 / 101.2	2.86 / 72.7	6.30 / 160	3.18 / 1.44
2-1/2 / 65	2.44 / 62.0	5.09 / 129.4	4.54 / 115.3	8.66 / 220	6.50 / 2.95
3 / 80	2.94 / 74.7	5.78 / 146.9	4.91 / 124.8	8.66 / 220	8.33 / 3.78
4 / 100	3.94 / 100.1	7.01 / 178.1	5.68 / 144.3	9.84 / 250	16.65 / 7.55

224-CC / LF224-CC



Weights and Dimensions

SIZE	D	W	H	L	Weight
In / DN	In / mm	In / mm	In / mm	In / mm	Lb / Kg
1/2 / 15	0.44 / 11.2	1.85 / 46.9	1.27 / 32.3	3.23 / 82	0.26 / 0.12
3/4 / 20	0.69 / 17.6	2.61 / 66.2	1.51 / 38.3	3.94 / 100	0.53 / 0.24
1 / 25	0.94 / 24.0	3.21 / 81.5	1.97 / 50.1	4.72 / 120	0.93 / 0.42
1-1/4 / 32.	1.19 / 30.3	3.70 / 94.0	2.15 / 54.7	4.72 / 120	1.26 / 0.57
1-1/2 / 40	1.44 / 36.6	4.26 / 108.1	2.51 / 63.8	6.30 / 160	1.83 / 0.83
2 / 50	1.94 / 49.3	5.27 / 133.8	2.86 / 72.7	6.30 / 160	3.15 / 1.43
2-1/2 / 65	2.44 / 62.0	6.22 / 158.0	4.54 / 115.3	8.66 / 220	6.11 / 2.77
3 / 80	2.94 / 74.7	7.09 / 180.2	4.91 / 124.8	8.66 / 220	8.31 / 3.77
4 / 100	3.94 / 100.1	9.19 / 233.5	5.68 / 144.3	9.84 / 250	17.20 / 7.80