

Fortune Series 220

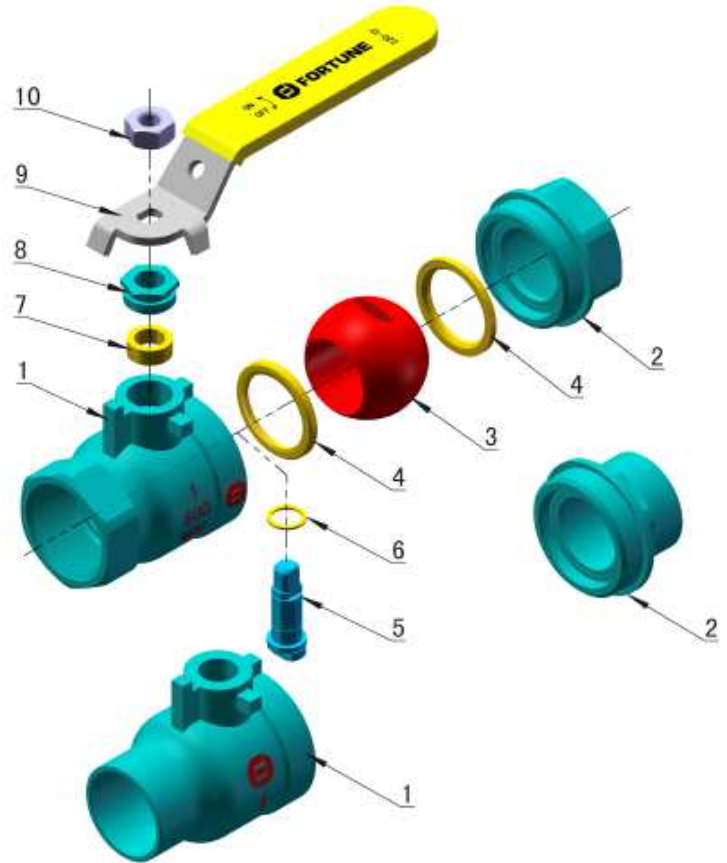
1/4" ~ 4", Full Port, Two-Piece Construction, 600 WOG, 150 SWP (Option 2-1/2" ~ 4" 400 WOG, 150 SWP), Blowout proof stem, MSS SP110 Standard, Threaded Ends & Solder Ends, Forged Brass Material, Lead-Free Version Available (LF220), Lead-Free Version is in Compliance with California Lead Plumbing Law AB1953

CSA Approval: (for 220-TF and LF220-TF)

- Pilot Adjustable National Standard of Canada.
 - Class 3371-08 Requirement Can1-91
- Gas Lever Non Lubricated Shut-off Valves.
 - Class 3371-10 Requirement CGA-3.16
- Manual Gas Valves on Piping Systems.
 - Class 3371-12 Requirement CGA CR-9012
- General Gas Valve US Standard. Class 3371-88.
 - Requirement ANSI Z 21.15
- Gas Manual Valve House Piping System. Class 3371.92.
 - Requirement IAS US Regulations 3.88
- Manual Gas Valve Metallic in Piping System US Standards.
 - Class 3371-94. Requirements ANSI/ASME B 16.33-20/150F

UL Approval:

- Trim and Drain (300PSI)
- Compressed Gas Shut-off Valves (600PSI)
- Flammable Liquid Shut-off Valves (600PSI)
- Gas Shut-off Valves (600PSI)
- LP-Gas Shut-off Valves (600PSI)
- Manual Valves (600PSI)

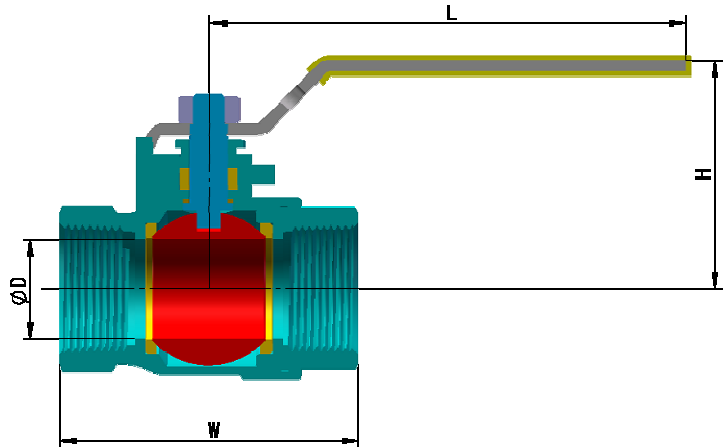
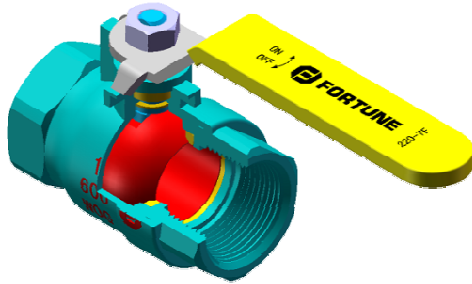


Bill of Materials

ITEM	PART	SPECIFICATION		Q'TY
1	BODY	FORGED BRASS	LEAD-FREE BRASS	1
2	END CAP	FORGED BRASS	LEAD-FREE BRASS	1
3	BALL	COPPER ALLOY, CHROME PLATED	LEAD-FREE BRASS, CHROME PLATED	1
4	SEAT	PTFE	PTFE	2
5	STEM	COPPER ALLOY	COPPER ALLOY	1
6	THRUST WASHER	PTFE	PTFE	1
7	PACKING	PTFE	PTFE	1
8	GLAND	COPPER ALLOY	COPPER ALLOY	1
9	HANDLE	CARBON STEEL PLATED	CARBON STEEL PLATED	1
10	NUT	CARBON STEEL PLATED	CARBON STEEL PLATED	1

Fortune Series 220

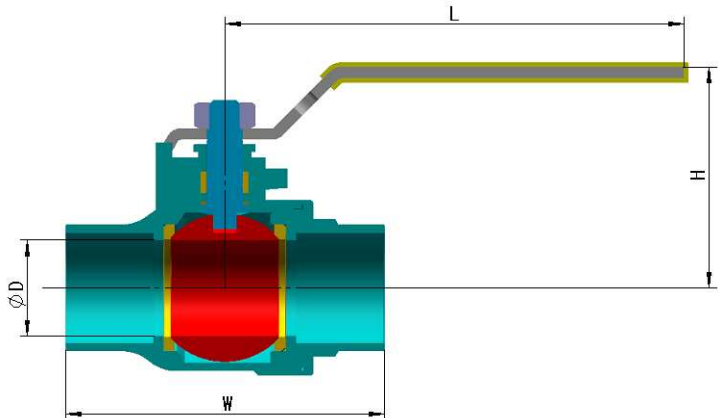
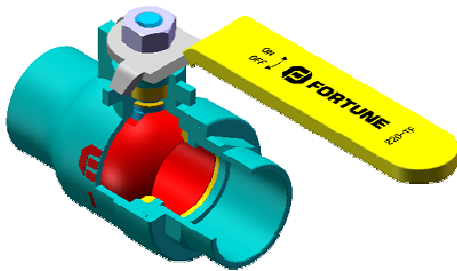
220-TF / LF220-TF



Weights and Dimensions

SIZE	WOG / PN	D	W	H	L	Weight
In / DN		In / mm	In / mm	In / mm	In / mm	Lb / kg
1/8 / 4	600 / 40	0.29 / 7.5	1.43 / 36.4	1.11 / 28.1	1.97 / 50	0.18 / 0.08
1/4 / 8	600 / 40	0.37 / 9.5	1.81 / 46.0	1.37 / 34.7	3.23 / 82	0.31 / 0.14
3/8 / 10	600 / 40	0.37 / 9.5	1.81 / 46.0	1.37 / 34.7	3.23 / 82	0.31 / 0.14
1/2 / 15	600 / 40	0.50 / 12.7	2.11 / 53.7	1.44 / 36.7	3.23 / 82	0.42 / 0.19
3/4 / 20	600 / 40	0.75 / 19.0	2.41 / 61.4	1.79 / 45.4	3.94 / 100	0.71 / 0.32
1 / 25	600 / 40	0.98 / 25.0	2.96 / 75.1	2.27 / 57.6	4.72 / 120	1.17 / 0.53
1-1/4 / 32	600 / 40	1.20 / 30.5	3.28 / 83.4	2.43 / 61.8	4.72 / 120	1.63 / 0.74
1-1/2 / 40	600 / 40	1.50 / 38.0	3.67 / 93.1	2.98 / 75.8	6.30 / 160	2.73 / 1.24
2 / 50	600 / 40	1.97 / 50.0	4.21 / 107.0	3.36 / 85.4	6.30 / 160	4.34 / 1.97
2-1/2 / 65	600 / 40	2.50 / 63.5	5.38 / 136.6	4.59 / 116.5	8.66 / 220	7.94 / 3.60
3 / 80	600 / 40	3.00 / 76.2	6.06 / 154.0	4.92 / 125.0	8.66 / 220	10.58 / 4.80
4 / 100	600 / 40	3.98 / 101.0	7.39 / 187.7	5.73 / 145.5	9.84 / 250	19.96 / 9.05

220-CC / LF220-CC

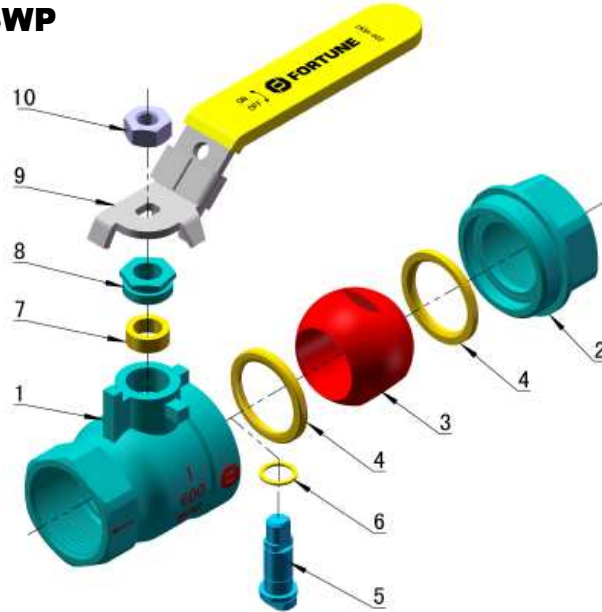


Weights and Dimensions

SIZE	WOG / PN	D	W	H	L	Weight
In / DN		In / mm	In / mm	In / mm	In / mm	Lb / kg
1/2 / 15	600 / 40	0.50 / 12.7	1.94 / 49.2	1.44 / 36.7	3.23 / 82	0.33 / 0.15
3/4 / 20	600 / 40	0.75 / 19.0	2.73 / 69.3	1.79 / 45.4	3.94 / 100	0.68 / 0.31
1 / 25	600 / 40	0.98 / 25.0	3.30 / 83.6	2.27 / 57.6	4.72 / 120	1.12 / 0.51
1-1/4 / 32	600 / 40	1.20 / 30.5	3.74 / 94.9	2.43 / 61.8	4.72 / 120	1.32 / 0.60
1-1/2 / 40	600 / 40	1.50 / 38.0	4.30 / 109.2	2.98 / 75.8	6.30 / 160	2.60 / 1.18
2 / 50	600 / 40	1.97 / 50.0	5.31 / 134.8	3.36 / 85.4	6.30 / 160	4.30 / 1.95
2-1/2 / 65	600 / 40	2.50 / 63.5	6.29 / 159.7	4.59 / 116.5	8.66 / 220	7.59 / 3.44
3 / 80	600 / 40	3.00 / 76.2	7.19 / 182.5	4.92 / 125.0	8.66 / 220	10.1 / 4.61
4 / 100	600 / 40	3.98 / 101.0	9.26 / 235.2	5.73 / 145.5	9.84 / 250	20.35 / 9.23

Fortune Series 220

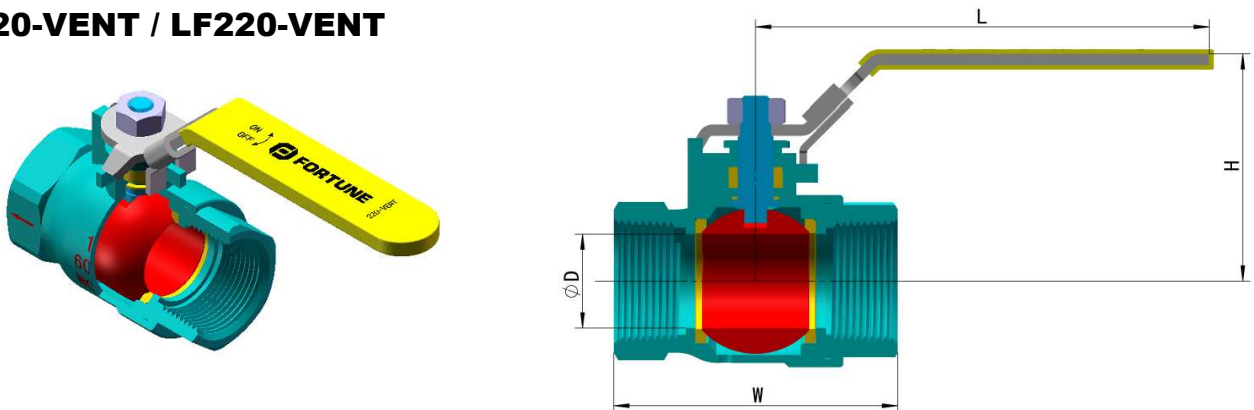
Threaded Ends With Vent Passage Full Port Two-Piece Forged Brass Valve
1/4" ~ 2" sizes, 600 WOG, 150 SWP
MSS SP 110 Standard
Blowout proof stem



Bill of Materials

ITEM	PART	SPECIFICATION		Q'TY
1	BODY	FORGED BRASS	LEAD-FREE BRASS	1
2	END CAP	FORGED BRASS	LEAD-FREE BRASS	1
3	BALL	COPPER ALLOY, CHROME PLATED	LEAD-FREE BRASS, CHROME PLATED	1
4	SEAT	PTFE	PTFE	2
5	STEM	COPPER ALLOY	COPPER ALLOY	1
6	THRUST WASHER	PTFE	PTFE	1
7	PACKING	PTFE	PTFE	1
8	GLAND	COPPER ALLOY	COPPER ALLOY	1
9	HANDLE	CARBON STEEL PLATED	CARBON STEEL PLATED	1
10	NUT	CARBON STEEL PLATED	CARBON STEEL PLATED	1

220-VENT / LF220-VENT

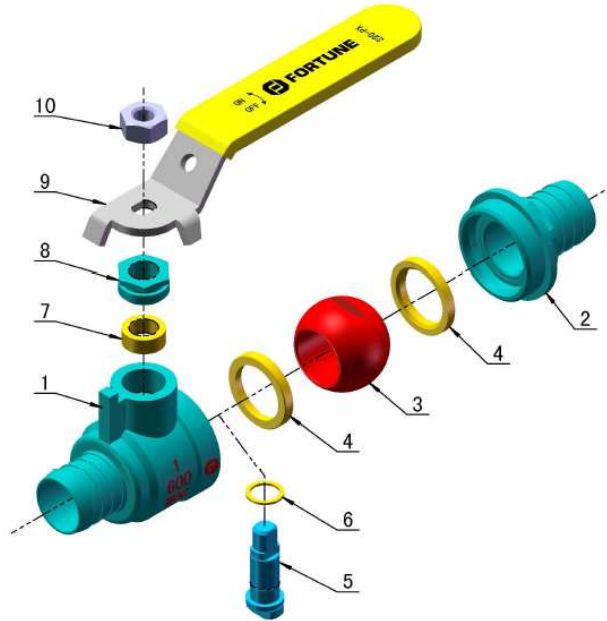


Weights and Dimensions

SIZE	WOG / PN	D	W	H	L	Weight
		In / mm	In / mm	In / mm	in	
1/4 / 8	600 / 40	0.37 / 9.5	1.81 / 46	1.64 / 41.7	4.13 / 105	0.33 / 0.15
3/8 / 10	600 / 40	0.37 / 9.5	1.81 / 46	1.64 / 41.7	4.13 / 105	0.33 / 0.15
1/2 / 15	600 / 40	0.50 / 12.7	2.11 / 53.7	1.72 / 43.7	4.13 / 105	0.42 / 0.19
3/4 / 20	600 / 40	0.75 / 19.0	2.41 / 61.4	2.10 / 53.4	4.92 / 125	0.71 / 0.32
1 / 25	600 / 40	0.98 / 25.0	2.96 / 75.1	2.35 / 59.7	6.10 / 155	1.17 / 0.53
1-1/4 / 32	600 / 40	1.20 / 30.5	3.28 / 83.4	2.52 / 63.9	6.10 / 155	1.65 / 0.75
1-1/2 / 40	600 / 40	1.50 / 38.0	3.67 / 93.1	2.98 / 75.8	6.30 / 160	2.76 / 1.25
2 / 50	600 / 40	1.97 / 50.0	4.21 / 107.0	3.36 / 85.4	6.30 / 160	4.39 / 1.99

Fortune Series 220-PEX

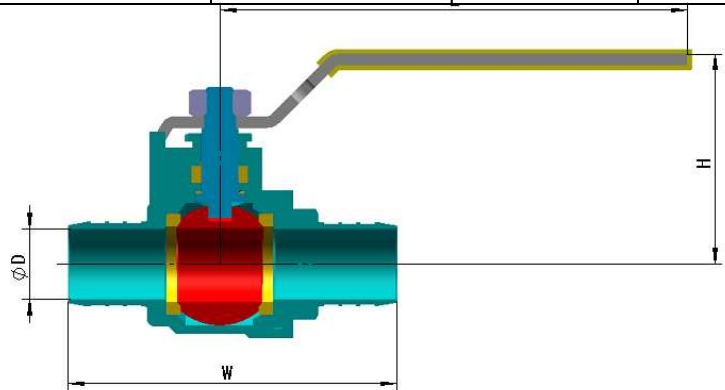
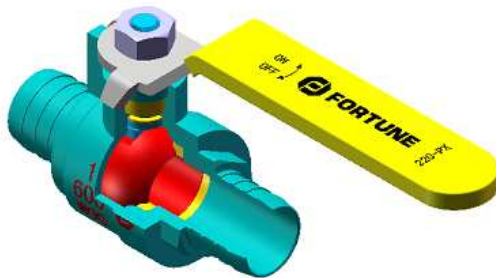
3/8" ~ 1" , Regular Port, Two-Piece Construction, 600 WOG, Blowout Proof Stem, MSS SP-110 Standard, PEX Ends, Forged Brass Material, Lead-Free Version Available (LF220) , Lead-Free Version is in Compliance with California Lead Plumbing Law AB1953



Bill of Materials

ITEM	PART	SPECIFICATION		Q'TY
1	BODY	FORGED BRASS	LEAD-FREE BRASS	1
2	END CAP	FORGED BRASS	LEAD-FREE BRASS	1
3	BALL	COPPER ALLOY, CHROME PLATED	LEAD-FREE BRASS, CHROME PLATED	1
4	SEAT	PTFE	PTFE	2
5	STEM	COPPER ALLOY	COPPER ALLOY	1
6	THRUST WASHER	PTFE	PTFE	1
7	PACKING	PTFE	PTFE	1
8	GLAND	COPPER ALLOY	COPPER ALLOY	1
9	HANDLE	CARBON STEEL PLATED	CARBON STEEL PLATED	1
10	NUT	CARBON STEEL PLATED	CARBON STEEL PLATED	1

220-PX / LF-220-PX



Weights and Dimensions

SIZE	D	W	H	L	Weight
In / DN	In / mm	In / mm	In / mm	In / mm	Lb / Kg
3/8 / 10	0.24 / 6.0	2.45 / 62.2	1.33 / 33.7	3.23 / 82	0.20 / 0.09
1/2 / 15	0.36 / 9.1	2.47 / 62.8	1.44 / 36.5	3.31 / 84	0.26 / 0.12
3/4 / 20	0.54 / 13.3	2.72 / 69.1	1.70 / 43.2	3.31 / 84	0.44 / 0.20
1 / 25	0.72 / 18.2	3.32 / 84.4	2.06 / 52.3	4.65 / 118	0.82 / 0.37