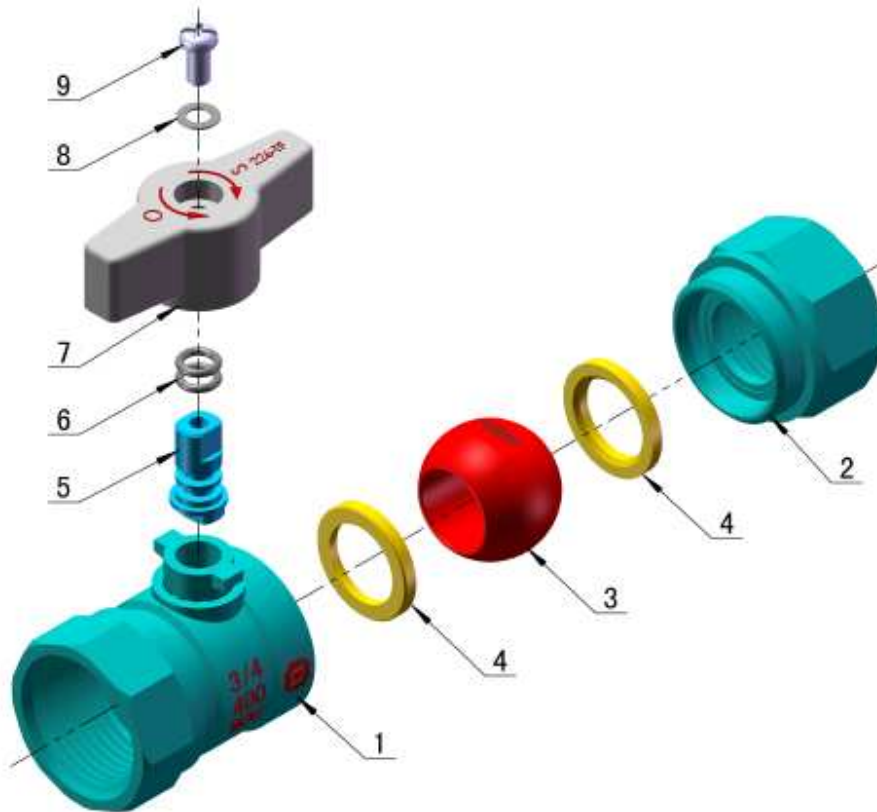


Fortune Series 226

3/8" ~ 1", Regular Port, Two-Piece Construction, 400WOG, Blowout Proof Stem, MSS SP-110 Standard, Threaded Ends, Forged Brass Material, Lead-Free Version Available (LF226), 226-TF/LF226-TF is in compliance with AGA 3.88

CSA Approval

- Pilot Adjustable National Standard of Canada. Class 3371-08 Requirement Can1-91
- Gas Lever Non Lubricated Shut off Valve. Class 3371-10 Requirement CGA-3.16
- Manual Gas Valves on Piping Systems. Class 3371-12. Requirement CGA CR-9102
- General Gas Valve US Standard. Class 3371.92. Requirement ANSI Z21.15
- Manual Gas Valve Metallic in Piping Systems US Standards. Class 3371-94 Requirements ANSI/ASME B16.33. -20/150F

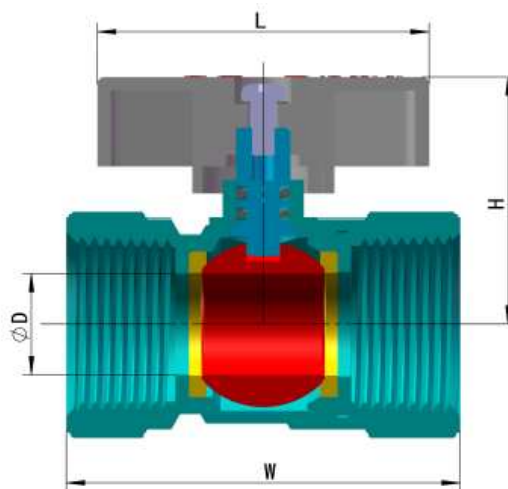
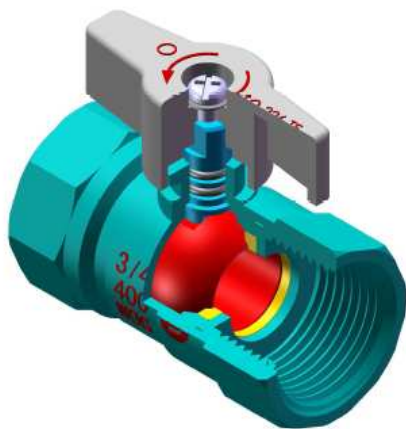


Bill of Materials

ITEM	PART	SPECIFICATION		Q'TY
1	BODY	FORGED BRASS	LEAD-FREE BRASS	1
2	END CAP	FORGED BRASS	LEAD-FREE BRASS	1
3	BALL	COPPER ALLOY, CHROME PLATED	LEAD-FREE BRASS, CHROME PLATED	1
4	SEAT	PTFE	PTFE	2
5	STEM	COPPER ALLOY	COPPER ALLOY	1
6	O-RING	NBR	NBR	2
7	HANDLE	AL ALLOY	AL ALLOY	1
8	WASHER	CARBON STEEL PLATED	CARBON STEEL PLATED	1
9	BOLT	CARBON STEEL PLATED	CARBON STEEL PLATED	1

Fortune Series 226

226-TF/LF226-TF



Weights and Dimensions

SIZE	D	W	H	L	Weight
In / DN	In / mm	In / mm	In / mm	In / mm	Lb / Kg
3/8 / 10	0.37 / 9.5	1.81 / 46.0	1.40 / 35.5	1.93 / 49	0.26 / 0.12
1/2 / 15	0.47 / 12.0	2.12 / 53.8	1.32 / 33.5	1.93 / 49	0.33 / 0.15
3/4 / 20	0.59 / 15.0	2.29 / 58.2	1.42 / 36.0	1.93 / 49	0.44 / 0.20
1 / 25	0.79 / 20.0	2.89 / 73.3	1.59 / 40.5	1.93 / 49	0.82 / 0.37

Fortune Series 227

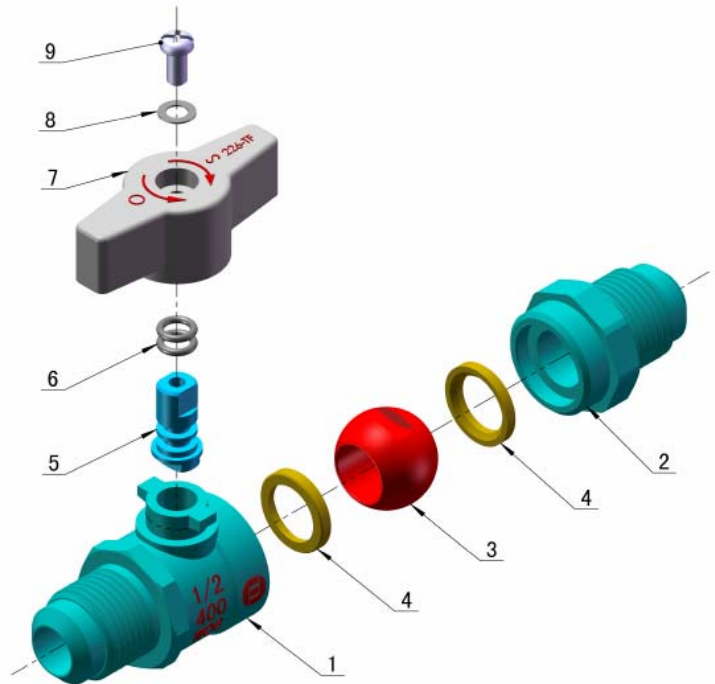
1/2", Regular Port, Two-Piece Construction, 400WOG, Blowout Proof Stem, MSS SP-110 Standard, Flare Ends, Forged Brass Material, Lead-Free Version Available (LF227)

CSA Approval

- Pilot Adjustable National Standard of Canada. Class 3371-08 Requirement Can1-91
- Gas Lever Non Lubricated Shut-off Valves. Class3371-10 Requirement CGA-3.16
- Manual Gas Valves on Piping Systems. Class3371-12. Requirement CGA CR-9012
- General Gas Valve US Standard. Class 3371-88. Requirement ANSI Z21.15
- Gas Manual Valve House Piping System. Class 3371.92. Requirement IAS US Regulations 3.88
- Manual Gas Valve Metallic in Piping System US Standards. Class 3371-94. Requirements ANSI/ASME B16.33, -20/150F

UL Approval

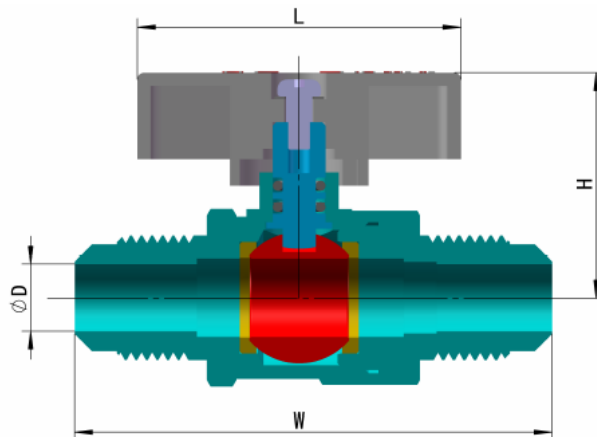
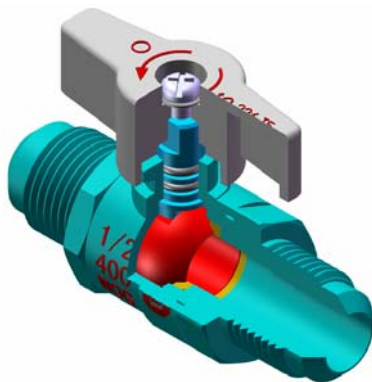
- Trim and Drain (300 PSI)
- Compressed Gas Shut-off Valves (600 PSI)
- Flammable Liquid Shut-off Valves (600 PSI)
- Gas Shut-off Valves (600 PSI)
- LP-Gas Shut-off Valves (600 PSI)
- Manual Valves (600 PSI)



Bill of Materials

ITEM	PART	SPECIFICATION		Q'TY
1	BODY	FORGED BRASS	LEAD-FREE BRASS	1
2	END CAP	FORGED BRASS	LEAD-FREE BRASS	1
3	BALL	COPPER ALLOY,CHROME PLATED	LEAD-FREE BRASS,CHROME PLATED	1
4	SEAT	PTFE	PTFE	2
5	STEM	COPPER ALLOY	COPPER ALLOY	1
6	O-RING	NBR	NBR	2
7	HANDLE	AL ALLOY	AL ALLOY	1
8	WASHER	CARBON STEEL PLATED	CARBON STEEL PLATED	1
9	BOLT	CARBON STEEL PLATED	CARBON STEEL PLATED	1

227-AR / LF-227



Weights and Dimensions

SIZE	D	W	H	L	Weight
In / DN	In / mm	In / mm	In / mm	In / mm	Lb / Kg
1/2 / 15	0.41 / 10.3	2.85 / 72.3	1.32 / 33.5	1.93 / 49.0	0.40 / 0.18

Fortune Series 228

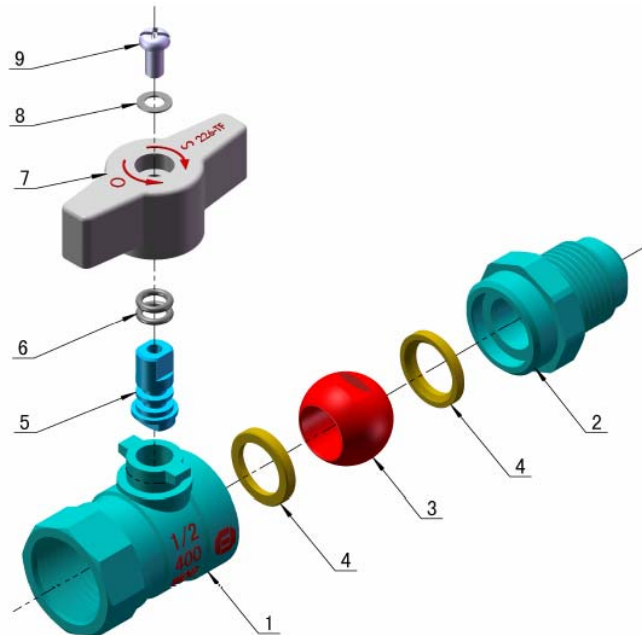
1/2"x3/8" and 1/2"x1/2", Two-Piece Construction, 400 WOG, Blowout Proof Stem, MSS SP-110 Standard, Flare/Threaded Ends, Forged Brass Material, Lead-Free Version Available (LF228)

CSA Approval

- Pilot Adjustable National Standard of Canada. Class 3371-08 Requirement Can1-91
- Gas Lever Non Lubricated Shut-off Valves. Class 3371-10 Requirement CGA-3.16
- Manual Gas Valves on Piping Systems. Class 3371-12. Requirement CGA CR-9012
- General Gas Valve US Standard. Class 3371-88. Requirement ANSI Z21.15
- Gas Manual Valve House Piping System. Class 3371.92. Requirement IAS US Regulations 3.88
- Manual Gas Valve Metallic in Piping System US Standards. Class 3371-94. Requirements ANSI/ASME B16.33, -20/150F

UL Approval

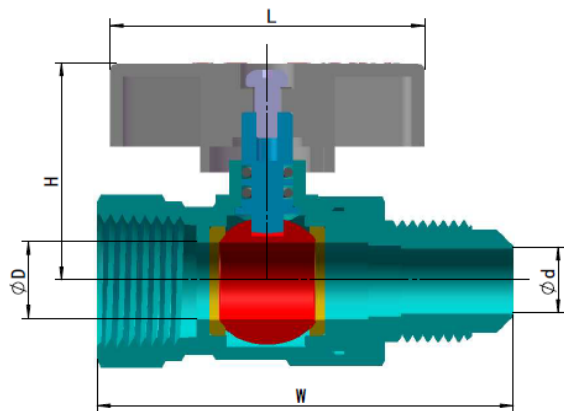
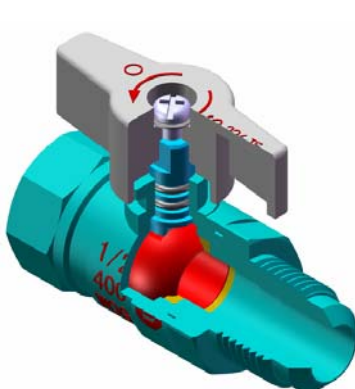
- Trim and Drain (300 PSI)
- Compressed Gas Shut-off Valves (600 PSI)
- Flammable Liquid Shut-off Valves (600 PSI)
- Gas Shut-off Valves (600 PSI)
- LP-Gas Shut-off Valves (600 PSI)
- Manual Valves (600 PSI)



Bill of Materials

ITEM	PART	SPECIFICATION		Q'TY
1	BODY	FORGED BRASS	LEAD-FREE BRASS	1
2	END CAP	FORGED BRASS	LEAD-FREE BRASS	1
3	BALL	COPPER ALLOY, CHROME PLATED	LEAD-FREE BRASS, CHROME PLATED	1
4	SEAT	PTFE	PTFE	2
5	STEM	COPPER ALLOY	COPPER ALLOY	1
6	O-RING	NBR	NBR	2
7	HANDLE	AL ALLOY	AL ALLOY	1
8	WASHER	CARBON STEEL PLATED	CARBON STEEL PLATED	1
9	BOLT	CARBON STEEL PLATED	CARBON STEEL PLATED	1

228-TA / LF-228



Weights and Dimensions

SIZE	D	d	W	H	L	Weight
In / DN	In / mm	In / mm	In / mm	In / mm	In / mm	Lb / Kg
1/2"(NPT)*3/8"(FLARE) / 15	0.47 / 12	0.28 / 7.2	2.37 / 60.3	1.32 / 33.5	1.93 / 49	0.40 / 0.18
1/2"(NPT)*1/2"(FLARE) / 15	0.47 / 12	0.41 / 10.3	2.53 / 64.3	1.32 / 33.5	1.93 / 49	0.42 / 0.19