

Fusion Series 333

Threaded, Socket weld Three-piece ball valve

High Pressure Ball Valve

Full Port ¼" ~ 2" sizes, Regular Port 1" and 2" and 3" sizes only

Threaded & Socket weld - Class 1500

ASME B16.34 Standard

Blowout Proof Stem

Standard Welding "Fins" on Socket weld Valves

Double Seal at Stem and Triple Seal at Body Connections

Material to NACE MR0175

Standard Marking to MSS SP-25

Mounting Pad (1-1/2" and 2") to ISO 5211

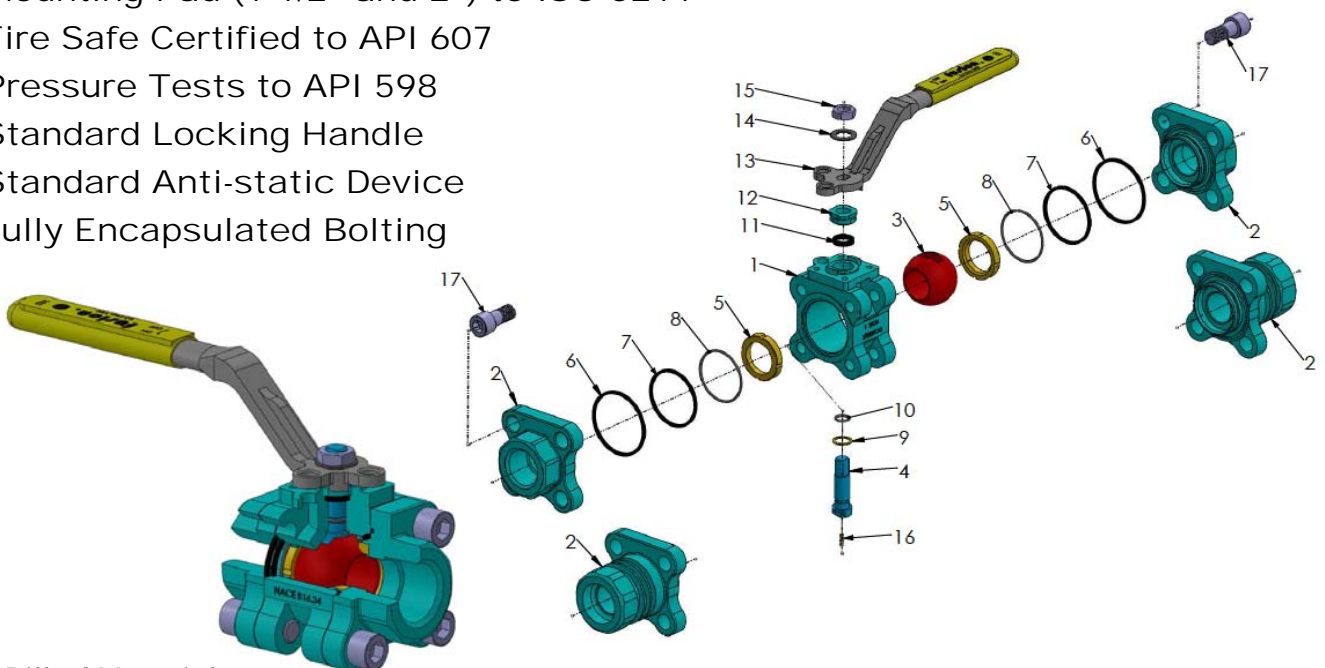
Fire Safe Certified to API 607

Pressure Tests to API 598

Standard Locking Handle

Standard Anti-static Device

Fully Encapsulated Bolting



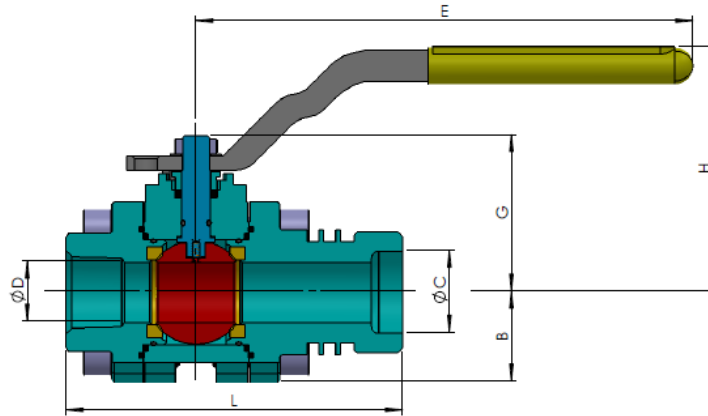
Bill of Materials

ITEM	PART	STAINLESS STEEL	SOUR LOW TEMP (NACE)	SOUR (NACE)	Q'TY
1	BODY	ASTM A351 CF8M	ASTM A352 LCC	ASTM A216 WCB	1
2	END CAP	ASTM A351 CF8M	ASTM A352 LCC	ASTM A216 WCB	2
3	BALL	ASTM A351 CF8M	ASTM A351 CF8M	ASTM A351 CF8M	1
4	STEM	ASTM A564 630	ASTM A564 630	ASTM A564 630	1
☆ 5	SEAT	VIRGIN PEEK	VIRGIN PEEK	VIRGIN PEEK	2
☆ 6	BODY GASKET	GRAPHITE	GRAPHITE	GRAPHITE	2
☆ 7	BODY SMALL GASKET	PTFE	PTFE	PTFE	2
☆ 8	BODY O-RING	VITON	VITON GLT	VITON	2
☆ 9	THRUST WASHER	PEEK	PEEK	PEEK	1
☆ 10	STEM O-RING	VITON	VITON GLT	VITON	1
☆ 11	PACKING	GRAPHITE	GRAPHITE	GRAPHITE	1
12	PACKING FOLLOW	340SS	340SS	340SS	1
13	HANDLE	ASTM A351 CF8	CS	CS	1
14	STEM WASHER	304SS	CS	CS	1
15	HANDLE NUT	304SS	CS	CS	1
16	SRPING	304SS	304SS	304SS	1
17	CAP SCREWS	ASTM A320 L7M PLATED	ASTM A320 L7M	ASTM A320 L7M	8~16

Note 1 : ☆ Minor repair kit :

Note 2 : (Item 17) stud on 1-1/2" to 3" RP

Note 3 : (Item 8 and 10) Option to HNBR



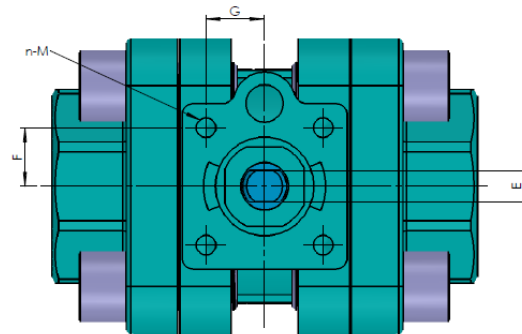
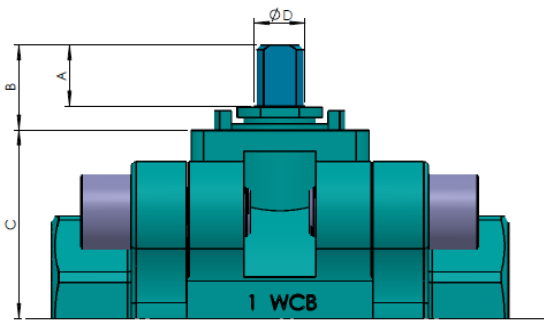
Weights and Dimensions

SIZE In/DN	CLASS /PN	BORE	D In/mm	C In/mm	L			B In/mm	G In/mm	H In/mm	E In/mm	Cv Gal/ min	WEIGHT	
					NPT In/mm	SW In/mm	NPT X SW In/mm						SW Kg/Lbs	
1/4 / 8	1500/250	FP	0.50/12.7	0.87/22.0	3.86/98	-/-	-/-	1.02/26	1.93/49	3.46/88	6.50/165	26	1.4/3.1	
3/8 / 10	1500/250	FP	0.50/12.7	0.87/22.0	3.86/98	-/-	-/-	1.02/26	1.93/49	3.46/88	6.50/165	26	1.4/3.1	
1/2 / 15	1500/250	FP	0.50/12.7	0.87/22.0	3.86/98	5.12/130	4.49/114	1.02/26	1.93/49	3.46/88	6.50/165	26	2.2/4.9	
3/4 / 20	1500/250	FP	0.75/19.1	1.08/27.4	4.25/108	6.77/172	5.51/140	1.14/29	2.20/56	3.66/93	8.07/205	61	2.4/5.3	
1 / 25	1500/250	FP	0.98/25.0	1.34/34.1	4.29/109	6.77/172	5.51/140	1.30/33	2.56/65	3.98/101	8.07/205	110	3.7/8.2	
	1500/250	RP	0.75/19.1	1.34/34.1	4.25/108	6.77/172	5.51/140	1.26/32	2.20/56	3.66/93	8.07/205	32	3.7/8.2	
1-1/2 / 40	1500/250	FP	1.50/38.0	1.93/49.0	6.26/159	8.54/217	7.40/188	2.00/51	4.06/103	5.28/134	10.04/255	260	8.0/17.6	
2 / 50	1500/250	FP	2.00/50.8	2.42/61.4	6.26/159	12.76/324	9.53/242	2.09/53	4.80/122	5.91/150	12.40/315	480	12.0/26.5	
	1500/250	RP	1.50/38.0	2.42/61.4	6.26/159	8.54/217	7.40/188	2.00/51	4.06/103	5.28/134	10.04/255	130	8.0/17.6	
3 / 80	1500/250	RP	2.00/50.8	2.42/61.4	11.38/289	-/-	-/-	2.09/53	4.80/122	5.91/150	12.40/315	350	12.0/26.5	

Note 1 : "L" DIMENSION ± 0.06 in. /1.5 mm

Note 2 : "B" DIMENSION FOR FORGING BODY

Note 3 : SIZE 1/4 · 3/8 · 3 WEIGHT FOR NPT



Actuator Mounting Dimensions

SIZE In/DN	BORE	A In/mm	B In/mm	C In/mm	D In/mm	E (FLAT) In/mm	F In/mm	G In/mm	n-M mm
1/4 / 8	FP	0.47/12	0.67/17	1.26/32	0.47/12	0.24/6	0.51/13	0.51/13	4-M6X6 DEEP
3/8 / 10	FP	0.47/12	0.67/17	1.26/32	0.47/12	0.24/6	0.51/13	0.51/13	4-M6X6 DEEP
1/2 / 15	FP	0.47/12	0.67/17	1.26/32	0.47/12	0.24/6	0.51/13	0.51/13	4-M6X6 DEEP
3/4 / 20	FP	0.55/14	0.75/19	1.46/37	0.47/12	0.31/8	0.51/13	0.51/13	4-M6X6 DEEP
1 / 25	FP	0.59/15	0.79/20	1.77/45	0.47/12	0.31/8	0.59/15	0.59/15	4-M6X6 DEEP
	RP	0.59/15	0.94/24	1.46/37	0.47/12	0.31/8	0.51/13	0.51/13	4-M6X6 DEEP
1-1/2 / 40	FP	1.14/29	1.57/40	2.48/63	0.75/20	0.47/12	0.98/25	0.98/25	4-M8X6 DEEP
2 / 50	FP	1.26/32	1.89/48	3.15/80	1.00/25	0.59/15	0.98/25	0.98/25	4-M8X6 DEEP
	RP	1.14/29	1.65/42	2.48/63	0.75/20	0.47/12	0.98/25	0.98/25	4-M8X6 DEEP
3 / 80	RP	1.26/32	1.65/42	3.15/80	1.00/25	0.59/15	0.98/25	0.98/25	4-M8X6 DEEP