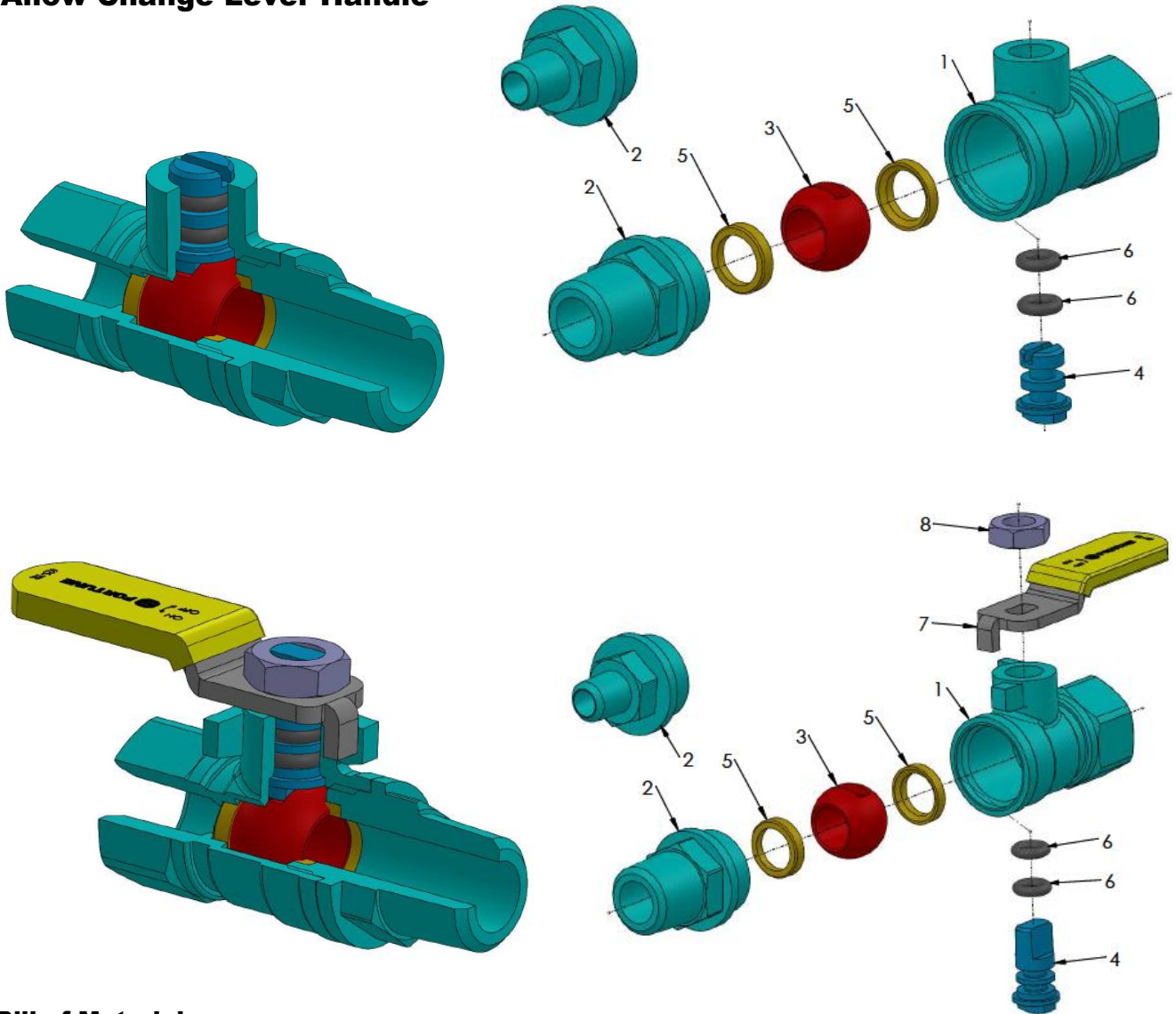


# Fortune Series 625

**Test Cock Two-Piece Bronze Ball Valve**  
**1/8"x1/4" and 1/4"x1/4" sizes, 300 WOG, 125 SWP**  
**MSS SP-110 Standard**  
**Blowout proof stem**  
**Standard Marking to MSS SP-25**  
**Pressure Tests to MSS SP-110**  
**Allow Change Lever Handle**



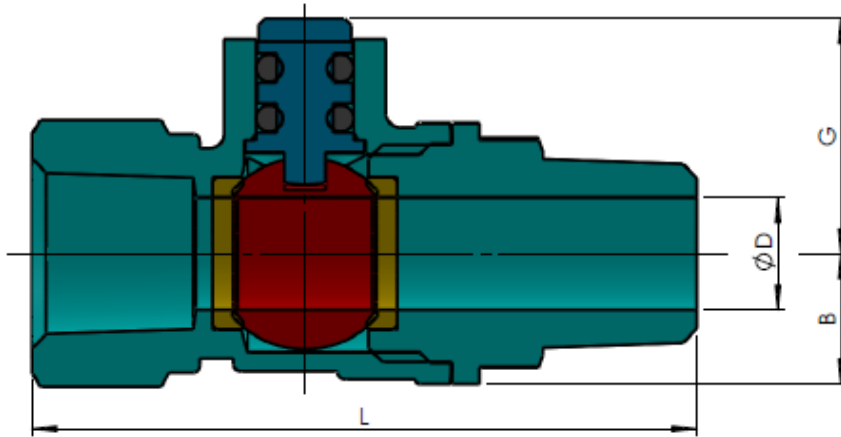
### Bill of Materials

ITEM	PART	STAINLESS STEEL	Q'TY
1	BODY	BRONZE ASTM B584 C84400	1
2	SEAT RETAINER	BRONZE ASTM B584 C84400	1
3	BALL	COPPER ALLOY, CHROME PLATED	1
4	STEM	COPPER ALLOY	1
5	SEAT	PTFE	2
6	O-RING	NBR	2
7	HANDLE	CARBON STEEL PLATED	1
8	HANDLE NUT	CARBON STEEL PLATED	1

Option 1 : (Item 7) HANDLE and (Item 8) HANDLE NUT : SUS 304. ;

Option 2 : (Item 4) STEM : SUS 304. ;

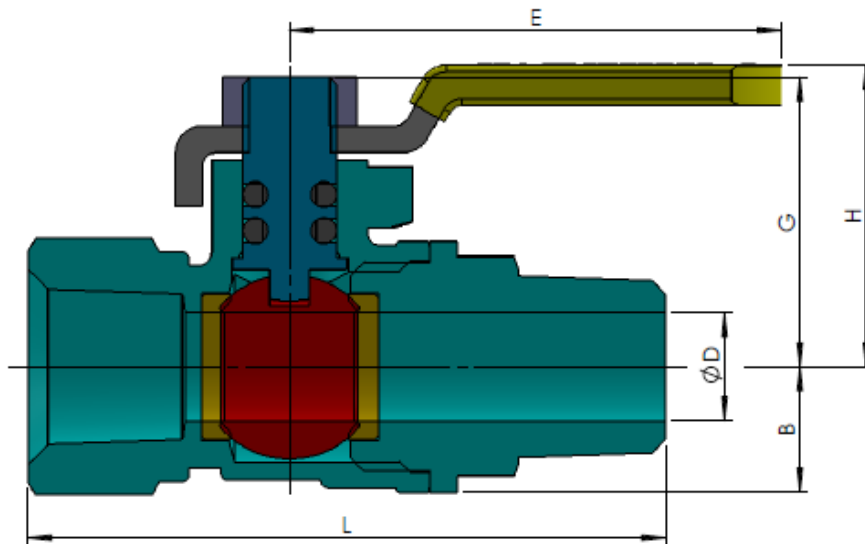
# Fortune Series 625



### Weights and Dimensions

SIZE	WOG / PN	D	L	B	G	Cv	WEIGHT
In / DN		In / mm	In / mm	In / mm	In / mm	gal / min	Kg / lbs
1/8x1/4 / 4x8	600 / 40	0.31 / 8.0	3.62 / 45	0.35 / 9	0.67 / 17	8	0.2 / 0.4
1/4x1/4 / 8x8	600 / 40	0.31 / 8.0	4.39 / 48	0.35 / 9	0.67 / 17	8	0.2 / 0.4

Note : "L" DIMENSION  $\pm$  0.06 in. / 1.5 mm



### Weights and Dimensions

SIZE	WOG / PN	D	L	B	G	H	E	Cv	WEIGHT
In / DN		In / mm	In / mm	In / mm	In / mm	In / mm	In / mm	gal / min	Kg / lbs
1/8x1/4 / 4x8	600 / 40	0.31 / 8.0	3.62 / 45	0.35 / 9	0.87 / 22	0.87 / 22	1.38 / 35	8	0.3 / 0.7
1/4x1/4 / 8x8	600 / 40	0.31 / 8.0	4.39 / 48	0.35 / 9	0.87 / 22	0.87 / 22	1.38 / 35	8	0.3 / 0.7

Note : "L" DIMENSION  $\pm$  0.06 in. / 1.5 mm