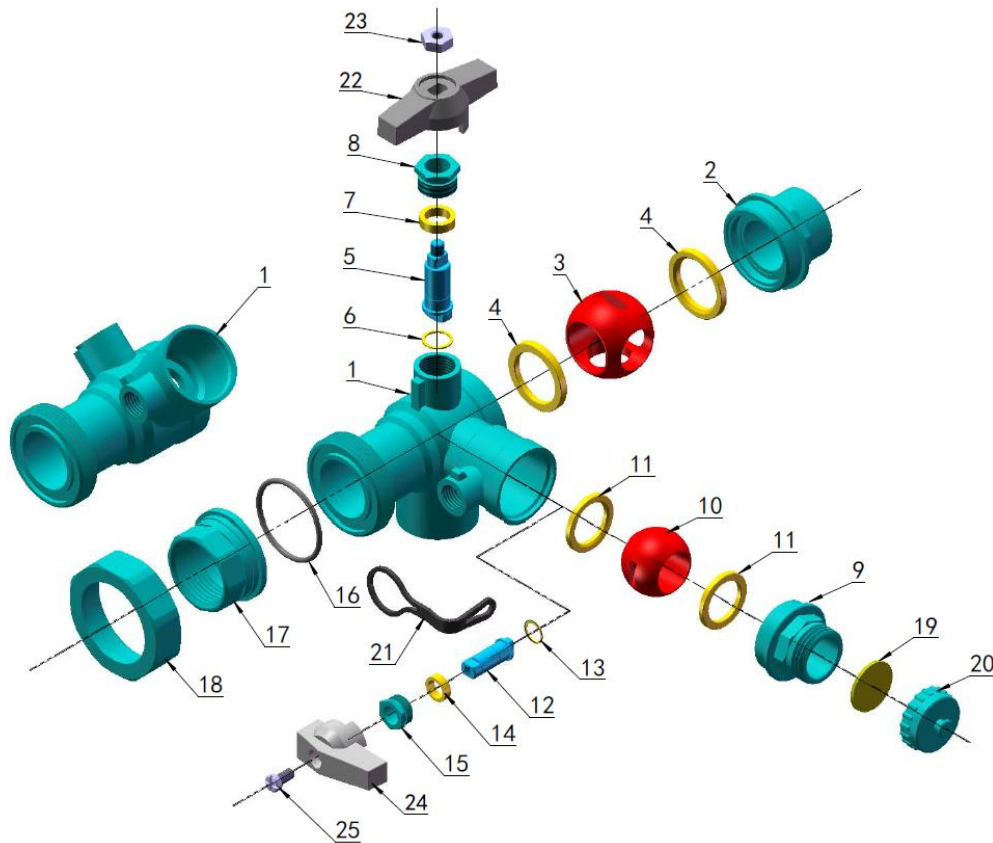


Fortune Series 290

3/4" ~ 1", Full Port, Three-Piece Construction, 600 WOG,150 SWP, Blowout Proof Stem, MSS SP-110 Standard, Threaded Ends & Solder Ends, Forged Brass Material, Lead-Free Version Available (LF290)

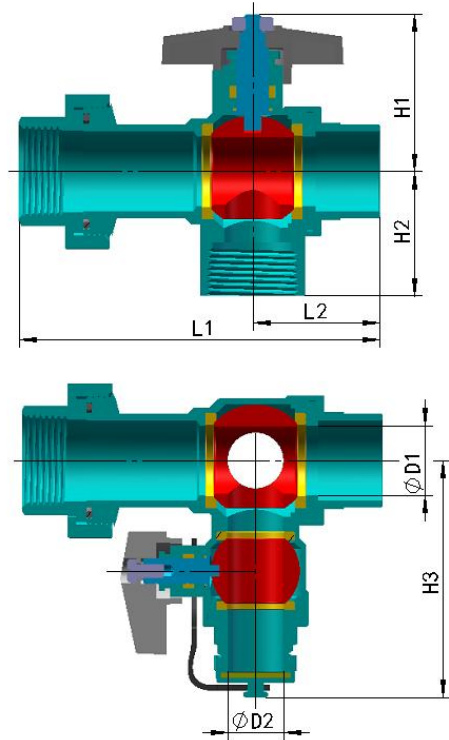
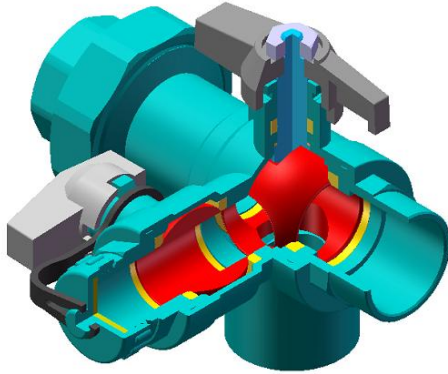


Bill of Materials

| ITEM | PART | SPECIFICATION | | Q'TY |
|------|---------------|----------------------------|-------------------------------|------|
| 1 | BODY | FORGED BRASS | LEAD-FREE BRASS | 1 |
| 2 | END CAP | FORGED BRASS | LEAD-FREE BRASS | 1 |
| 3 | BALL | COPPER ALLOY,CHROME PLATED | LEAD-FREE BRASS,CHROME PLATED | 1 |
| 4 | SEAT | PTFE | PTFE | 2 |
| 5 | STEM | COPPER ALLOY | COPPER ALLOY | 1 |
| 6 | THRUST WASHER | PTFE | PTFE | 1 |
| 7 | STEM PACKING | PTFE | PTFE | 1 |
| 8 | GLAND | COPPER ALLOY | COPPER ALLOY | 1 |
| 9 | END CAP | FORGED BRASS | LEAD-FREE BRASS | 1 |
| 10 | BALL | COPPER ALLOY,CHROME PLATED | LEAD-FREE BRASS,CHROME PLATED | 1 |
| 11 | SEAT | PTFE | PTFE | 2 |
| 12 | STEM | COPPER ALLOY | COPPER ALLOY | 1 |
| 13 | THRUST WASHER | PTFE | PTFE | 1 |
| 14 | STEM PACKING | PTFE | PTFE | 1 |
| 15 | GLAND | COPPER ALLOY | COPPER ALLOY | 1 |
| 16 | O-Ring | EPDM | EPDM | 1 |
| 17 | TIP BONNET | FORGED BRASS | LEAD-FREE BRASS | 1 |
| 18 | NION NUT | FORGED BRASS | LEAD-FREE BRASS | 1 |
| 19 | NUT WASHER | EPDM | EPDM | 1 |
| 20 | NUT | FORGED BRASS | LEAD-FREE BRASS | 1 |
| 21 | CHAIN | EPDM | EPDM | 1 |
| 22 | HANDLE | AL ALLOY | AL ALLOY | 1 |
| 23 | NUT | CARBON STEEL PLATED | CARBON STEEL PLATED | 1 |
| 24 | HANDLE | AL ALLOY | AL ALLOY | 1 |
| 25 | BOLN | CARBON STEEL PLATED | CARBON STEEL PLATED | 1 |

Fortune Series 290

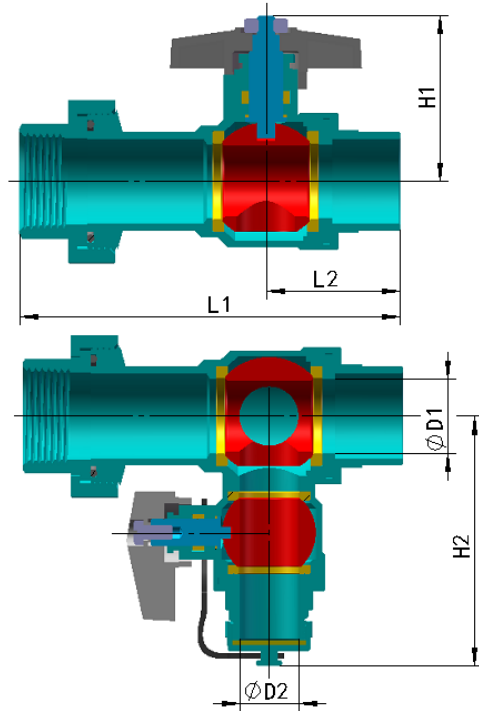
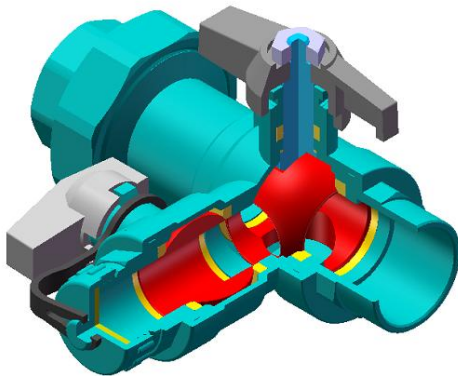
290-ST / LF290-ST(Hot Water Valve)



Weights and Dimensions

| SIZE | D1 | D2 | L1 | L2 | H1 | H2 | H3 | Weight |
|----------|-----------|-----------|--------------|-------------|-------------|-------------|-----------|-------------|
| In / DN | In / mm | In / mm | In / mm | In / mm | In / mm | In / mm | In / mm | Lb / Kg |
| 3/4 / 20 | 0.71 / 18 | 0.59 / 15 | 4.31 / 109.5 | 0.80 / 20.2 | 1.75 / 44.5 | 1.40 / 35.5 | 2.76 / 70 | 1.93 / 0.87 |
| 1 / 25 | 0.94 / 24 | 0.79 / 20 | 5.08 / 129 | 0.85 / 21.5 | 2.20 / 56.0 | 1.75 / 44.5 | 3.35 / 85 | 2.59 / 1.17 |

290-ST / LF290-ST(Cold Water Valve)



Weights and Dimensions

| SIZE | D1 | D2 | L1 | L2 | H1 | H2 | Weight |
|----------|-----------|-----------|--------------|-------------|-------------|-----------|-------------|
| In / DN | In / mm | In / mm | In / mm | In / mm | In / mm | In / mm | Lb / Kg |
| 3/4 / 20 | 0.71 / 18 | 0.59 / 15 | 4.31 / 109.5 | 0.80 / 20.2 | 1.75 / 44.5 | 2.76 / 70 | 1.77 / 0.8 |
| 1 / 25 | 0.94 / 24 | 0.79 / 20 | 5.08 / 129 | 0.85 / 21.5 | 2.20 / 56.0 | 3.35 / 85 | 2.37 / 1.07 |