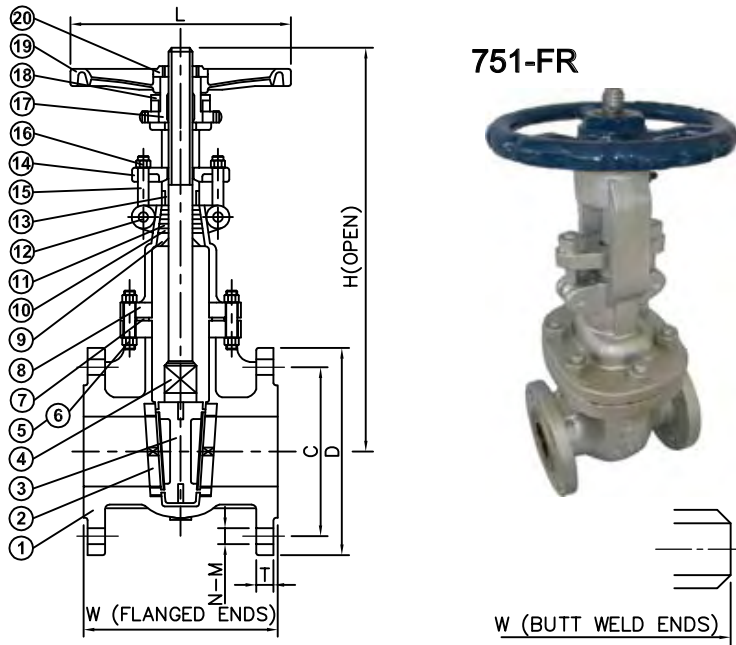


SERIES 751

CLASS 150, CLASS 300 & CLASS 600, RISING STEM, FLANGED ENDS (TO ANSI B16.5) & BUTT WELD ENDS (TO ANSI B16.25), BOLTED BONNET, OS&Y, SEATING SURFACE MATERIAL: CR13 FOR WEDGE, HARD FACED STELLITE FOR SEAT RING, FACE-TO-FACE DIMENSIONS TO ANSI B16.10, CONFORM TO API 600, SIZES: 2"~24", ON 10" AND SMALLER VALVES, THE YOKE IS CAST INTEGRAL WITH BONNET, ON 12" AND LARGER VALVES, THE STEM NUT WITH BALL BEARINGS REDUCES OPERATING TORQUE FOR EASY MANUAL OPERATION.



MATERIALS LIST:

NO.	PART	STANDARD	NACE
1	BODY	ASTM A216 GR.WCB	ASTM A216 GR.WCB
2	SEAT RING	ASTM A105 WITH HF OVERLAY	ASTM A105 WITH HF OVERLAY
3	WEDGE	ASTM A216 GR.WCB WITH F6a OVERLAY	ASTM A216 GR.WCB WITH F6a OVERLAY
4	STEM	ASTM A182 GR.F6a	ASTM A182 GR.F6a
5	BONNET BOLT	ASTM A193 GR.B7	ASTM A193 GR.B7M
6	BONNET NUT	ASTM A194 GR.2H	ASTM A194 GR.2HM
7	GASKET	GRAPHITE WITH STAINLESS STEEL	GRAPHITE WITH STAINLESS STEEL
8	BONNET	ASTM A216 GR.WCB	ASTM A216 GR.WCB
9	BACKSEAT BUSHING	ASTM A182 GR.F6a	A276 410
10	STEM PACKING	BRAIDED GRAPHITE (TOP&BOTTOM)	GRAPHITE
11	STEM PACKING	FLEXIBLE GRAPHITE	FLEXIBLE GRAPHITE
12	PIN	ASTM A182 GR.F6a	1025
13	GLAND	ASTM A182 GR.F6a	A276 410
14	GLAND FLANGE	ASTM A216 GR.WCB	ASTM A193 GR.B7M
15	GLAND EYEBOLT	ASTM A193 GR.B7	ASTM A216 GR.WCB
16	GLAND NUT	ASTM A194 GR.2H	ASTM A194 GR.2HM
17	STEM NUT	ASTM A439 GR.D2	ASTM A439 GR.D2
18	RETAINING NUT	ASTM A105	1025
19	HANDWHEEL	ASTM A395	ASTM A216 GR.WCB
20	HANDWHEEL NUT	STEEL	1025

OPTIONS: (Code: Description)

FT: Full Stellite Trim.

AP: Gear Operator.

LCC, CF8M, and other steel-alloys materials are available

Full-Stellite and other trim materials are available

DIMENSIONS:

SIZE	CLASS	W				H(OPEN)		L		D		C		T		M		N	
		FLANGED		BUTT WELD		IN	MM	IN	MM	IN	MM	IN	MM	IN	MM	IN	MM		
IN	MM	IN	MM	IN	MM	IN	MM	IN	MM	IN	MM	IN	MM	IN	MM	IN	MM		
2"	50	150	7.00	178	8.50	216	16.25	413	8.00	200	6.00	152	4.75	120.6	0.62	16.0	0.75	20	4
		300	8.50	216	8.50	216	16.88	429	8.00	200	6.50	165	5.00	127.0	0.88	22.5	0.75	20	8
		600	11.50	292	11.50	292	18.43	468	10.00	250	6.50	165	5.00	127.0	1.00	25.5	0.75	20	8
2 1/2"	65	150	7.50	191	9.50	241	17.50	444	8.00	200	7.00	178	5.50	139.7	0.69	18.0	0.75	20	4
		300	9.50	241	9.50	241	18.13	460	8.00	200	7.50	190	5.88	149.3	1.00	25.5	0.88	23	8
		600	13.00	330	13.00	330	21.26	540	10.00	250	7.50	190	5.88	149.3	1.12	29.0	0.88	23	8
3"	80	150	8.00	203	11.12	283	20.00	508	10.00	250	7.50	190	6.00	152.4	0.75	19.5	0.75	20	4
		300	11.12	283	11.12	283	21.00	533	10.00	250	8.25	210	6.62	168.3	1.12	29.0	0.88	23	8
		600	14.00	356	14.00	356	23.54	598	12.00	300	8.25	210	6.62	168.3	1.25	32.0	0.88	23	8
4"	100	150	9.00	229	12.00	305	23.38	594	12.00	300	9.00	229	7.50	190.5	0.94	24.0	0.75	20	8
		300	12.00	305	12.00	305	24.25	616	12.00	300	10.00	254	7.88	200.0	1.25	32.0	0.88	23	8
		600	17.00	432	17.00	432	29.53	750	14.00	350	10.75	275	8.50	216.0	1.50	38.1	1.00	26	8
6"	150	150	10.50	267	15.88	403	30.38	772	14.00	350	11.00	279	9.50	241.3	1.00	25.5	0.88	23	8
		300	15.88	403	15.88	403	31.38	797	14.00	350	12.50	318	10.62	269.9	1.44	37.0	0.88	23	12
		600	22.00	559	22.00	559	38.94	989	18.00	450	14.00	355	11.50	292.0	1.88	48.0	1.12	29	12
8"	200	150	11.50	292	16.50	419	36.75	933	14.00	350	13.50	343	11.75	298.5	1.12	29.0	0.88	23	8
		300	16.50	419	16.50	419	39.75	1010	16.00	400	15.00	381	13.00	330.2	1.62	41.5	1.00	26	12
		600	26.00	660	26.00	660	48.19	1224	20.00	500	16.50	420	13.75	349.0	2.19	56.0	1.25	32	12
10"	250	150	13.00	330	18.00	457	45.25	1149	16.00	400	16.00	406	14.25	362.0	1.19	30.5	1.00	26	12
		300	18.00	457	18.00	457	48.38	1229	18.00	450	17.50	445	15.25	387.3	1.88	48.0	1.12	29	16
		600	31.00	787	31.00	787	58.23	1479	24.00	600	20.00	510	17.00	432.0	2.50	64.0	1.38	35	16
12"	300	150	14.00	356	19.75	502	54.75	1390	18.00	450	19.00	483	17.00	431.8	1.25	32.0	1.00	26	12
		300	19.75	502	19.75	502	56.75	1441	20.00	500	20.50	521	17.75	450.8	2.00	51.0	1.25	32	16
		600	33.00	838	33.00	838	68.90	1750	28.00	700	22.00	560	19.25	489.0	2.62	67.0	1.38	35	20

DUE TO CONTINUOUS DEVELOPMENT OF OUR PRODUCTS, WE RESERVE THE RIGHT TO MODIFY OUR PRODUCT DESIGN OR CONSTRUCTION WITHOUT PRIOR NOTICE.