



Crown - fusion

Trunnion Ball Valve Catalogue



API 6D License

ISO 9001:2015 Certified

CE Mark PED 97/23/EC Approved



Introduction

Founded in Edmonton, Alberta, Canada in 1962, **Stream-Flo Industries Ltd.** manufactures wellheads, gate valves, check valves, and surface safety valves for the worldwide Oil and Gas industry. Our comprehensive services include field maintenance and installation, re-manufacturing, customer property management, frac tree rentals, frac ball drop systems and isolation tools. Privately-owned and operated, Stream-Flo delivers greater value by developing long-term partnerships with our customers—proven in our responsive engineered solutions to the challenges our customers face. Our commitment to ongoing research and development ensures our products meet our customers' increasingly complex needs now and into the future.

Fortune Valve, started in Kaohsiung, Taiwan, in 1981 is a world-class manufacturer for various ball valve products serving multiple market sectors, including Oil and Gas industry. Being a vertically integrated manufacturer, Fortune Valve controls all the key facets of production processes, such as casting, machining, and final assembly and testing, which provides Fortune Valve its core competence to supply quality reliable products cost effectively.

Crown - fusion ball valve line is a collaboration between Stream-Flo and Fortune Valve, which delivers the highest quality-value-service standard ball valve products to the Oil and Gas industry around the world.

Crown - fusion products have been designed and are manufactured according to the following specification and Standards.

- API specification Q1 quality system
- ISO 9001:2015 quality system
- ASME B16.34, B16.10, B16.5, B16.11, B16.25
- API 607 & API 6FA
- API 641
- CSA Z245.15
- API 598
- API 608
- API 6D Monogrammed
- CE Mark PED 97/23/EC Approved
- NACE MR0103
- NACE MR0175 / ISO 15156
- MSS SP - 25
- Canadian Registration Number (CRN)

See each product series to determine its certifications



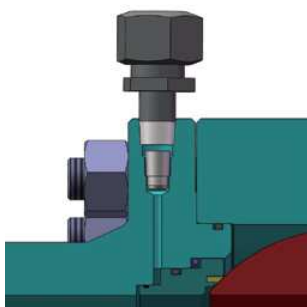


Crown - fusion Series 432

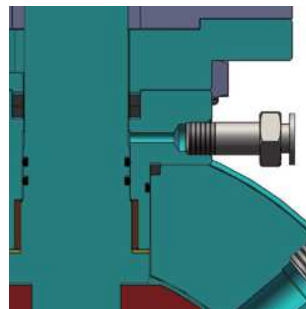
General Design Features

The series 432 trunnion Ball valve is API 6D monogrammed and conforms to ASME B16.34, API 608 and ASTM specifications. This forged body 3-piece design is available 2" thru 24" in sizes and Class 150 through Class 2500 in pressure with a variety of body and trim material options. The valves

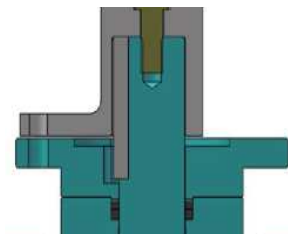
feature double block and bleed capability and double isolation and bleed valve, ISO mounting pad (direct mount), and low operating torques. All trunnion valves are marked CSA Z245.15. Fusion trunnion Ball valve and fire-safe to API 607 & API 6FA



Emergency Seat Sealant System



Emergency Stem Injection Fitting



Low Torque:
Ball is supported by upper and lower bearing

Blowout Proof Stem Design

Anti Static Device



Fire-Safe construction: When the soft material is Incinerated by fire the internal springs push the seat holder against the ball to form metal to metal sealing. Seat self relieving feature.

DPE VALVE:
Single valve with two seating surfaces, each of which, in the closed position, provides a seal against pressure from a single source.

Patented in China / USA / Canada

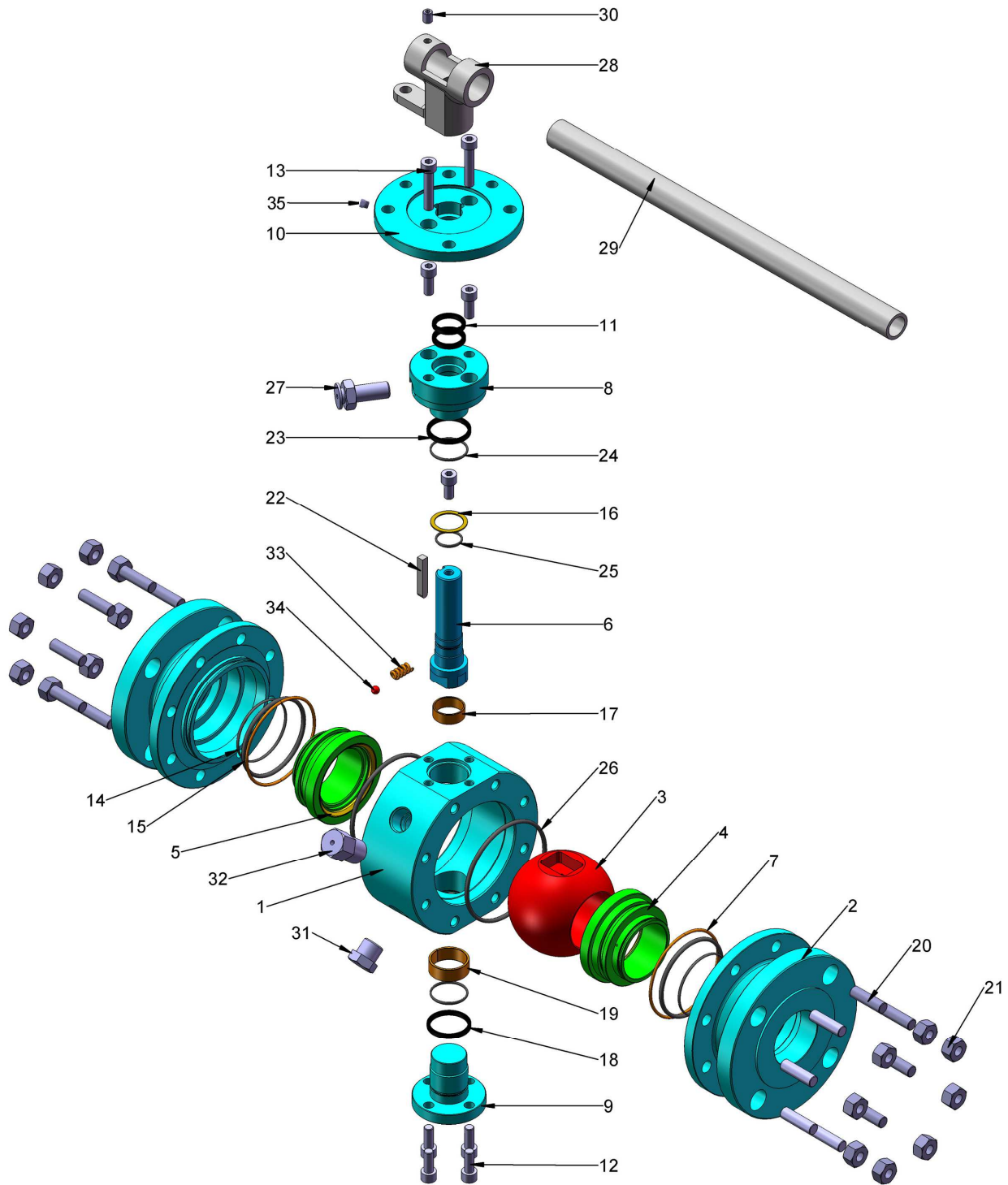




Crown - fusion Series 432

2"~4" FP & 3"~6" RP Class 150 ~ 300

FLANGED END CONNECTIONS





Crown - fusion

Series 432

2"~4" FP & 3"~6" RP Class 150 ~ 300

Bill of Materials:

ITEM	PART	STAINLESS STEEL	CARBON STEEL LOW TEMP	CARBON STEEL	DUAL CERTIFIED MATERIAL
1	BODY	ASTM A182 F316	ASTM A350 LF2 Class 1	ASTM A105	ASTM A350 LF2 Class 1/ASTM A105
2	ADAPTER	ASTM A182 F316	ASTM A350 LF2 Class 1	ASTM A105	ASTM A350 LF2 Class 1/ASTM A105
3	BALL	ASTM A182 F316	ASTM A350 LF2 Class 1+ENP	ASTM A350 LF2 Class 1+ENP	ASTM A350 LF2 Class 1+ENP
3*	BALL(SS TRIM)	ASTM A182 F316	ASTM A182 F316	ASTM A182 F316	ASTM A182 F316
☆ 4	SEAT HOLDER	ASTM A182 F316	ASTM A350 LF2 Class 1+ENP	ASTM A350 LF2 Class 1+ENP	ASTM A350 LF2 Class 1+ENP
☆ 4*	SEAT HOLDER(SS TRIM)	ASTM A182 F316	ASTM A182 F316	ASTM A182 F316	ASTM A182 F316
☆ 5	SEAT INSERT	PTFE/RPTFE/TFM/DEVLON	PTFE/RPTFE/TFM/DEVLON	PTFE/RPTFE/TFM/DEVLON	PTFE/RPTFE/TFM/DEVLON
6	STEM	17-4PH	4140/42CrMo+ENP	4140/42CrMo+ENP	4140/42CrMo+ENP
6*	STEM(SS TRIM)	17-4PH	17-4PH	17-4PH	17-4PH
7	WAVE SPRING	INCONEL X-750	INCONEL X-750	INCONEL X-750	INCONEL X-750
8	BONNET	ASTM A182 F316	ASTM A350 LF2 Class 1	ASTM A105	ASTM A350 LF2 Class 1/ASTM A105
9	TRUNNION	ASTM A182 F316	ASTM A350 LF2 Class 1+ENP	ASTM A105+ENP	ASTM A350 LF2 Class 1/ASTM A105+ENP
10	GLAND FLANGE	304SS	C/S	C/S	C/S
☆ 11	STEM PACKING	GRAPHITE	GRAPHITE	GRAPHITE	GRAPHITE
12	CAP SCREW	ASTM A320 L7M WITH ZINC PLATING	ASTM A320 L7M	ASTM A320 L7M	ASTM A320 L7M
13	CAP SCREW	ASTM A320 L7M WITH ZINC PLATING	ASTM A320 L7M	ASTM A320 L7M	ASTM A320 L7M
☆ 14	SEAT O-RING	HNBR	HNBR	HNBR	HNBR
☆ 15	SEAT O-RING	HNBR	HNBR	HNBR	HNBR
☆ 16	STEM THRUST WASHER	PTFE/RPTFE/TFM/DEVLON	PTFE/RPTFE/TFM/DEVLON	PTFE/RPTFE/TFM/DEVLON	PTFE/RPTFE/TFM/DEVLON
17	STEM BUSHING	SS+PTFE	C/S+PTFE	C/S+PTFE	C/S+PTFE
☆ 18	TRUNNION GASKET	GRAPHITE	GRAPHITE	GRAPHITE	GRAPHITE
19	TRUNNION BUSHING	SS+PTFE	C/S+PTFE	C/S+PTFE	C/S+PTFE
20	STUD	ASTM A320 L7M WITH ZINC PLATING	ASTM A320 L7M	ASTM A320 L7M	ASTM A320 L7M
21	NUT	ASTM A194 7ML WITH ZINC PLATING	ASTM A194 7ML	ASTM A194 7ML	ASTM A194 7ML
22	KEY	1045	1045	1045	1045
☆ 23	BONNET GASKET	GRAPHITE	GRAPHITE	GRAPHITE	GRAPHITE
☆ 24	BONNET O-RING	HNBR	HNBR	HNBR	HNBR
☆ 25	STEM O-RING	HNBR	HNBR	HNBR	HNBR
☆ 26	ADAPTER O-RING	HNBR	HNBR	HNBR	HNBR
27	STEM INJECTIONG FITTING	304SS	304SS	304SS	304SS
28	HANDLE HOLDER	C/S	C/S	C/S	C/S
29	PIPE	C/S	C/S	C/S	C/S
30	SET SCREW	C/S	C/S	C/S	C/S
31	DRAIN PLUG	316SS	304SS	304SS	304SS
32	VENT VALVE	316SS	304SS	304SS	304SS
33	ANTISTATIC SPRING	304SS	304SS	304SS	304SS
34	ANTISTATIC BALL	304SS	304SS	304SS	304SS
35	RELIEF VALVE	304SS	304SS	304SS	304SS

Note: * = SS trim only;
 ☆ Minor repair kit





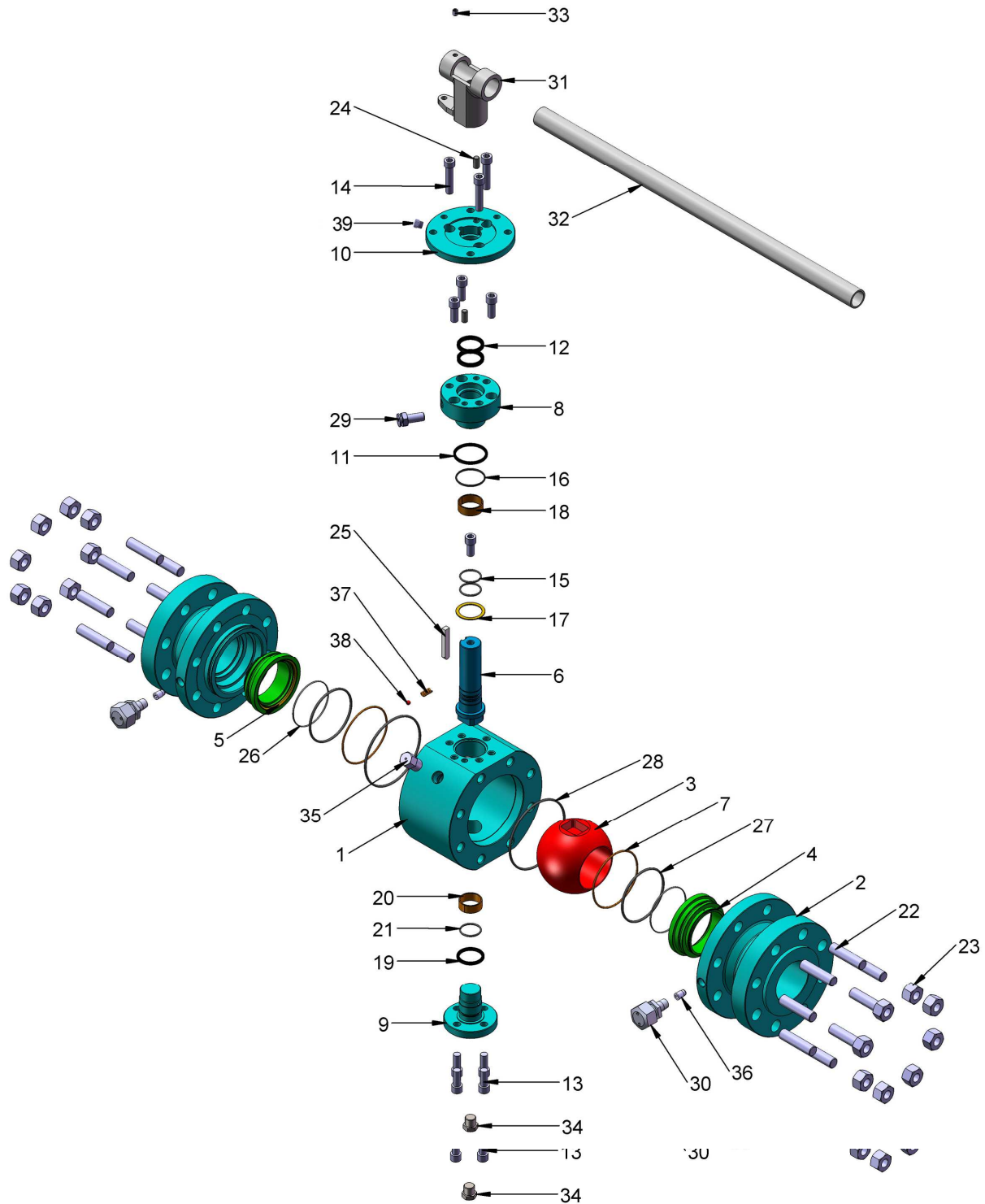
Crown - fusion

Series 432

2"~4" FP & 3"~6" RP Class 600 ~ 1500

FLANGED END CONNECTIONS

Note: 3" Class 1500 / 4" Class 600~1500 with Gear Operator





Crown - fusion

Series 432

2"~4" FP & 3"~6" RP Class 600 ~ 1500

Bill of Materials:

ITEM	PART	STAINLESS STEEL	CARBON STEEL LOW TEMP	CARBON STEEL	DUAL CERTIFIED MATERIAL
1	BODY	ASTM A182 F316	ASTM A350 LF2 Class 1	ASTM A105	ASTM A350 LF2 Class 1/ASTM A105
2	ADAPTER	ASTM A182 F316	ASTM A350 LF2 Class 1	ASTM A105	ASTM A350 LF2 Class 1/ASTM A105
3	BALL	ASTM A182 F316/F6a	ASTM A350 LF2 Class1+ENP	ASTM A350 LF2 Class 1+ENP	ASTM A350 LF2 Class 1+ENP
3*	BALL(SS TRIM)	ASTM A182 F316/F6a	ASTM A182 F316/F6a	ASTM A182 F316/F6a	ASTM A182 F316/F6a
☆ 4	SEAT HOLDER	ASTM A182 F316/F6a	ASTM A350 LF2 Class 1+ENP	ASTM A350 LF2 Class 1+ENP	ASTM A350 LF2 Class 1+ENP
☆ 4*	SEAT HOLDER (SS TRIM)	ASTM A182 F316/F6a	ASTM A182 F316/F6a	ASTM A182 F316/F6a	ASTM A182 F316/F6a
☆ 5	SEAT INSERT	DEVLON	DEVLON	DEVLON	DEVLON
6	STEM	17-4PH	4140/42CrMo+ENP/17-4PH	4140/42CrMo+ENP/17-4PH	4140/42CrMo+ENP/17-4PH
6*	STEM(SS TRIM)	17-4PH	17-4PH	17-4PH	17-4PH
7	WAVE SPRING	INCONEL X-750	INCONEL X-750	INCONEL X-750	INCONEL X-750
8	BONNET	ASTM A182 F316	ASTM A350 LF2 Class 1	ASTM A105	ASTM A350 LF2 Class 1/ASTM A105
9	TRUNNION	ASTM A182 F316	ASTM A350 LF2 Class 1+ENP	ASTM A105+ENP	ASTM A350 LF2 Class 1/ASTM A105+ENP
10	GLAND FLANGE	304SS	C/S	C/S	C/S
☆ 11	BONNET GASKET	GRAPHITE	GRAPHITE	GRAPHITE	GRAPHITE
☆ 12	STEM PACKING	GRAPHITE	GRAPHITE	GRAPHITE	GRAPHITE
13	CAP SCREW	ASTM A320 L7M WITH ZINC PLATING	ASTM A320 L7M	ASTM A320 L7M	ASTM A320 L7M
14	CAP SCREW	ASTM A320 L7M WITH ZINC PLATING	ASTM A320 L7M	ASTM A320 L7M	ASTM A320 L7M
☆ 15	STEM O-RING	HNBR	HNBR	HNBR	HNBR
☆ 16	BONNET O-RING	HNBR	HNBR	HNBR	HNBR
☆ 17	STEM THRUST WASHER	RPTFE/TFM/DEVLON	RPTFE/TFM/DEVLON	RPTFE/TFM/DEVLON	RPTFE/TFM/DEVLON
18	STEM BUSHING	SS+PTFE	C/S+PTFE	C/S+PTFE	C/S+PTFE
☆ 19	TRUNNION GASKET	GRAPHITE	GRAPHITE	GRAPHITE	GRAPHITE
20	TRUNNION BUSHING	SS+PTFE	C/S+PTFE	C/S+PTFE	C/S+PTFE
☆ 21	TRUNNION O-RING	HNBR	HNBR	HNBR	HNBR
22	STUD	ASTM A320 L7M WITH ZINC PLATING	ASTM A320 L7M	ASTM A320 L7M	ASTM A320 L7M
23	NUT	ASTM A194 7ML WITH ZINC PLATING	ASTM A194 7ML	ASTM A194 7ML	ASTM A194 7ML
24	PIN	410	4130	4130	4130
25	KEY	1045	1045	1045	1045
☆ 26	SEAT O-RING	HNBR	HNBR	HNBR	HNBR
☆ 27	SEAT O-RING	HNBR	HNBR	HNBR	HNBR
☆ 28	ADAPTER O-RING	HNBR	HNBR	HNBR	HNBR
29	STEM INJECTIONG FIT TING	304SS	304SS	304SS	304SS
30	SEAT INJECTIONG FITTING	304SS	304SS	304SS	304SS
31	HANDLE HOLDER	C/S	C/S	C/S	C/S
32	PIPE	C/S	C/S	C/S	C/S
33	SET SCREW	C/S	C/S	C/S	C/S
34	DRAIN PLUG	316SS	304SS	304SS	304SS
35	VENT VALVE	316SS	304SS	304SS	304SS
36	SMALL CHECK VALVE	316SS	304SS	304SS	304SS
37	ANTISTATIC SPRING	304SS	304SS	304SS	304SS
38	ANTISTATIC BALL	304SS	304SS	304SS	304SS
39	RELIEF VALVE	304SS	304SS	304SS	304SS

Note: * = SS trim only;

☆ Minor repair kit





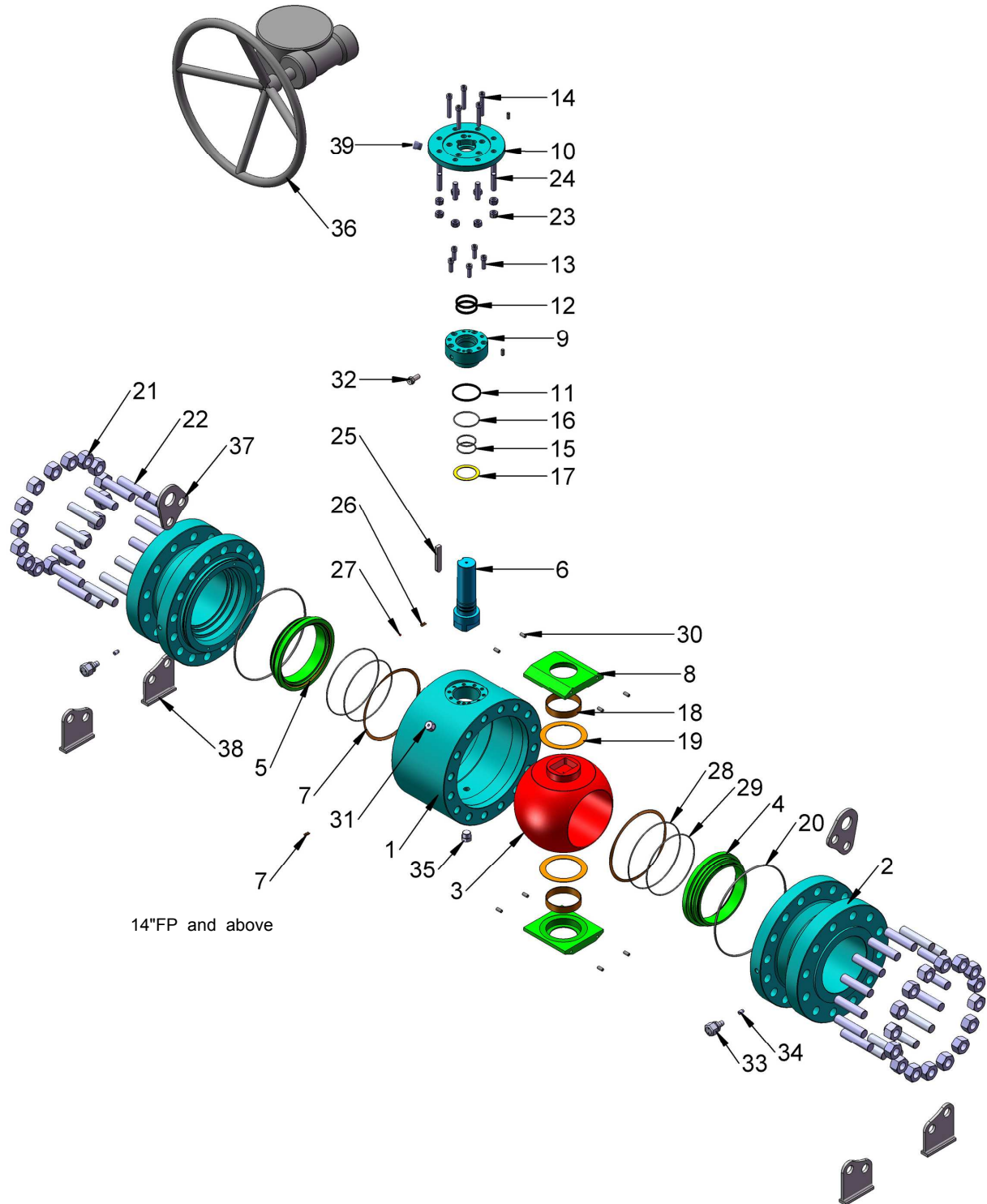
Crown - fusion

Series 432

6"~12" FP & 6"~12" RP Class 150 ~ 1500

14" ~24" FP & 14" ~24" RP Class 150 ~ 600 & 2"~4" Class 2500

FLANGED END CONNECTIONS





Crown - fusion Series 432

6"~12" FP & 6"~12" RP Class 150 ~ 1500

14" ~24" FP & 14" ~24" RP Class 150 ~ 600 & 2"~4" Class 2500

Bill of Materials:

ITEM	PART	STAINLESS STEEL	CARBON STEEL LOW TEMP	CARBON STEEL	DUAL CERTIFIED MATERIAL
1	BODY	ASTM A182 F316	ASTM A350 LF2 Class 1	ASTM A105	ASTM A350 LF2 Class 1/ASTM A105
2	ADAPTER	ASTM A182 F316	ASTM A350 LF2 Class 1	ASTM A105	ASTM A350 LF2 Class 1/ASTM A105
3	BALL	ASTM A182 F316/F6a	ASTM A350 LF2 Class 1+ENP	ASTM A350 LF2 Class 1+ENP	ASTM A350 LF2 Class 1+ENP
3*	BALL(SS TRIM)	ASTM A182 F316/F6a	ASTM A182 F316/F6a	ASTM A182 F316/F6a	ASTM A182 F316/F6a
☆ 4	SEAT HOLDER	ASTM A182 F316/F6a	ASTM A350 LF2 Class1+ENP/4140+ENP	ASTM A350 LF2 Class1+ENP/4140+ENP	ASTM A350 LF2 Class1+ENP/4140+ENP
☆ 4*	SEAT HOLDER(SS TRIM)	ASTM A182 F316/F6a	ASTM A182 F316/F6a	ASTM A182 F316/F6a	ASTM A182 F316/F6a
☆ 5	SEAT INSERT	RPTFE/TFM/DEVLON	RPTFE/TFM/DEVLON	RPTFE/TFM/DEVLON	RPTFE/TFM/DEVLON
6	STEM	17-4PH	4140/42CrMo+ENP/17-4PH	4140/42CrMo+ENP/17-4PH	4140/42CrMo+ENP/17-4PH
6*	STEM(SS TRIM)	17-4PH	17-4PH	17-4PH	17-4PH
7**	WAVE SPRING	INCONEL X-750	INCONEL X-750	INCONEL X-750	INCONEL X-750
8	INTERNAL TRUNNION	ASTM A182 F316	ASTM A350 LF2 Class 1+ENP	ASTM A350 LF2 Class 1+ENP	ASTM A350 LF2 Class 1+ENP
9	BONNET	ASTM A182 F316	ASTM A350 LF2 Class 1	ASTM A105	ASTM A350 LF2 Class 1/ASTM A105
10	GLAND FLANGE	304SS	C/S	C/S	C/S
☆ 11	BONNET GASKET	GRAPHITE	GRAPHITE	GRAPHITE	GRAPHITE
☆ 12	STEM PACKING	GRAPHITE	GRAPHITE	GRAPHITE	GRAPHITE
13	CAP SCREW	ASTM A320 L7M WITH ZINC PLATING	ASTM A320 L7M	ASTM A320 L7M	ASTM A320 L7M
14	CAP SCREW	ASTM A320 L7M WITH ZINC PLATING	ASTM A320 L7M	ASTM A320 L7M	ASTM A320 L7M
☆ 15	STEM O-RING	HNBR	HNBR	HNBR	HNBR
☆ 16	BONNET O-RING	HNBR	HNBR	HNBR	HNBR
☆ 17	STEM THRUST WASHER	RPTFE/TFM/DEVLON	RPTFE/TFM/DEVLON	RPTFE/TFM/DEVLON	RPTFE/TFM/DEVLON
18	REATINER BUSHING	SS+PTFE	C/S+PTFE	C/S+PTFE	C/S+PTFE
19	REATINER WASHER	SS+PTFE	C/S+PTFE	C/S+PTFE	C/S+PTFE
☆ 20	ASAPTER O-RING	HNBR	HNBR	HNBR	HNBR
21	STUD	ASTM A320 L7M WITH ZINC PLATING	ASTM A320 L7M	ASTM A320 L7M	ASTM A320 L7M
22	NUT	ASTM A194 7ML WITH ZINC PLATING	ASTM A194 7ML	ASTM A194 7ML	ASTM A194 7ML
23	NUT	C/S	C/S	C/S	C/S
24	STUD	C/S	C/S	C/S	C/S
25	KEY	1045	1045	1045	1045
26	ANTISTATIC SPRING	304SS	304SS	304SS	304SS
27	ANTISTATIC BALL	304SS	304SS	304SS	304SS
☆ 28	SEAT O-RING	HNBR	HNBR	HNBR	HNBR
☆ 29	SEAT O-RING	HNBR	HNBR	HNBR	HNBR
30	PIN	410	4130	4130	4130
31	VENT VALVE	316SS	304SS	304SS	304SS
32	STEM INJECTIONG FITTING	304SS	304SS	304SS	304SS
33	SEAT INJECTIONG FITTING	304SS	304SS	304SS	304SS
34	SMALL CHECK VALVE	316SS	304SS	304SS	304SS
35	DRAIN PLUG	316SS	304SS	304SS	304SS
36	GEAR BOX	COMPONENT	COMPONENT	COMPONENT	COMPONENT
37***	LIFTING LUG	304SS	C/S	C/S	C/S
38***	LEG	304SS	C/S	C/S	C/S
39	RELIEF VALVE	304SS	304SS	304SS	304SS

Note: * = SS trim only;

☆ Minor repair kit

FVSFI-CAT-432-0424



Crown - fusion



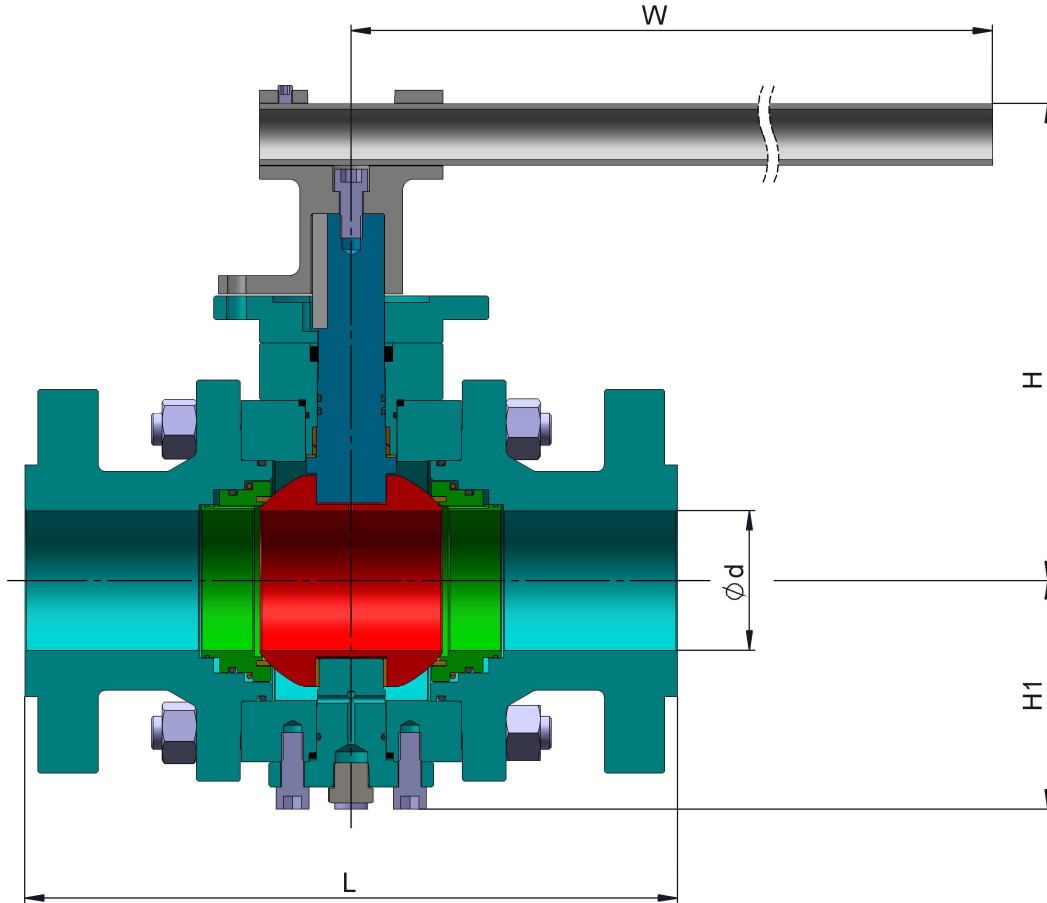
Crown - fusion Series 432

2"~4" FP Class 150 ~ 300

2"~3" FP Class 600 ~ 900

2" FP Class 1500

FLANGED END CONNECTION



Weights and Dimensions:

SIZE	CLASS	d	L(RF)	L(RTJ)	H	H1	W	Cv	WEIGHT
in/mm		in/mm	in/mm	in/mm	in/mm	in/mm	in/mm	gal/min	kg/Lbs
2/50	150	2.00 / 50.8	7.00 / 178	7.50 / 191	7.44 / 189	3.43 / 87	14.37 / 365	500	20 / 44
	300	2.00 / 50.8	8.50 / 216	9.12 / 232	7.44 / 189	3.43 / 87	14.37 / 365	420	23 / 51
	600	2.00 / 50.8	11.50 / 292	11.62 / 295	9.17 / 233	4.09 / 104	21.65 / 550	350	41 / 90
	900	2.00 / 50.8	14.50 / 368	14.62 / 371	9.17 / 233	4.09 / 104	27.56 / 700	320	59 / 130
	1500	2.00 / 50.8	14.50 / 368	14.62 / 371	9.21 / 234	4.37 / 111	37.40 / 950	320	64 / 141
3/80	150	3.00 / 76.2	8.00 / 203	8.50 / 216	9.65 / 245	4.33 / 110	21.65 / 550	1390	35 / 77
	300	3.00 / 76.2	11.12 / 283	11.74 / 298	9.65 / 245	4.33 / 110	21.65 / 550	1050	46 / 101
	600	3.00 / 76.2	14.00 / 356	14.12 / 359	10.67 / 271	4.92 / 125	27.56 / 700	1000	71 / 157
	900	3.00 / 76.2	15.00 / 381	15.12 / 384	10.67 / 271	4.92 / 125	37.40 / 950	910	85 / 190
4/100	150	4.00 / 101.6	9.00 / 229	9.50 / 241	11.18 / 284	5.55 / 141	21.65 / 550	2550	60 / 133
	300	4.00 / 101.6	12.00 / 305	12.62 / 321	11.18 / 284	5.55 / 141	27.56 / 700	2000	78 / 172





Crown - fusion

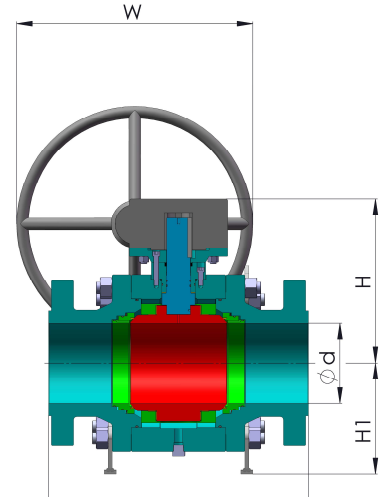
Series 432

2"~4" FP Class 2500

6"~24" FP Class 150~600

4"~12" FP Class 600~900

3"~12" FP Class 1500



Weights and Dimensions:

SIZE	CLASS	d	L(RF)	L(RTJ)	H	H1	W	Cv	WEIGHT
in/mm		in/mm	in/mm	in/mm	in/mm	in/mm	in/mm	gal/min	kg/Lbs
2/50	2500	1.75 / 44.5	17.75 / 451	17.87 / 454	9.96 / 253	4.69 / 119	11.81 / 300	310	118 / 260
3/80	1500	3.00 / 76.2	18.50 / 470	18.62 / 473	10.24 / 260	5.51 / 140	11.81 / 300	820	132 / 291
	2500	2.50 / 63.5	22.75 / 578	23.00 / 584	12.91 / 328	6.22 / 158	15.75 / 400	426	262 / 576
4/100	600	4.00 / 101.6	17.00 / 432	17.12 / 435	10.91 / 277	5.91 / 150	13.78 / 350	1850	139 / 306
	900	4.00 / 101.6	18.00 / 457	18.12 / 460	11.42 / 290	6.26 / 159	13.78 / 350	1760	163 / 359
	1500	4.00 / 101.6	21.50 / 546	21.62 / 549	12.32 / 313	6.65 / 169	20.00 / 500	1610	230 / 507
	2500	3.50 / 88.9	26.50 / 673	26.88 / 683	15.08 / 383	7.40 / 188	23.60 / 600	999	433 / 955
6/150	150	6.00 / 152.4	15.50 / 394	16.00 / 406	11.89 / 302	6.73 / 171	13.78 / 350	5249	156 / 344
	300	6.00 / 152.4	15.88 / 403	16.50 / 419	11.89 / 302	6.73 / 171	13.78 / 350	5186	174 / 384
	600	6.00 / 152.4	22.00 / 559	22.12 / 562	12.56 / 319	7.13 / 181	15.75 / 400	4400	243 / 536
	900	6.00 / 152.4	24.00 / 610	24.12 / 613	14.37 / 365	9.65 / 245	20.00 / 500	4300	345 / 761
8/200	150	8.00 / 203.2	18.00 / 457	18.50 / 470	15.36 / 391	10.00 / 254	20.00 / 500	10750	300 / 661
	300	8.00 / 203.2	19.75 / 502	20.37 / 518	15.36 / 391	10.00 / 254	20.00 / 500	10262	341 / 752
	600	8.00 / 203.2	26.00 / 660	26.12 / 664	15.91 / 404	10.47 / 266	23.60 / 600	8450	480 / 1058
	900	8.00 / 203.2	29.00 / 737	29.12 / 740	16.54 / 420	11.26 / 286	20.00 / 500	8400	640 / 1411
	1500	7.63 / 193.7	32.75 / 832	33.11 / 841	19.72 / 501	12.80 / 325	23.60 / 600	7980	1014 / 2235
10/250	150	10.00 / 254.0	21.00 / 533	21.50 / 546	17.40 / 442	11.42 / 290	23.60 / 600	17775	488 / 1076
	300	10.00 / 254.0	22.38 / 568	23.00 / 584	17.40 / 442	11.89 / 302	23.60 / 600	17220	541 / 1193
	600	10.00 / 254.0	31.00 / 787	31.12 / 791	17.95 / 456	11.54 / 293	23.60 / 600	14250	777 / 1713
	900	10.00 / 254.0	33.00 / 838	33.12 / 841	19.02 / 483	13.11 / 333	23.60 / 600	14160	1092 / 2407
	1500	9.50 / 241.3	39.00 / 991	39.38 / 1000	21.54 / 547	15.00 / 381	23.60 / 600	13020	1610 / 3549
12/300	150	12.00 / 304.8	24.00 / 610	24.50 / 622	18.82 / 478	12.52 / 318	23.60 / 600	26750	631 / 1391
	300	12.00 / 304.8	25.50 / 648	26.12 / 664	18.82 / 478	13.54 / 344	23.60 / 600	25950	738 / 1627
	600	12.00 / 304.8	33.00 / 838	33.12 / 841	19.92 / 506	14.37 / 365	23.60 / 600	22790	1177 / 2595
	900	12.00 / 304.8	38.00 / 965	38.12 / 968	22.99 / 584	15.63 / 397	23.60 / 600	21230	1744 / 3845
	1500	11.37 / 288.9	44.50 / 1130	45.12 / 1146	24.61 / 625	17.17 / 436	23.60 / 600	19610	2545/5611
14/350	150	13.25 / 336.6	27.00 / 686	27.50 / 669	21.50 / 546	13.98 / 355	23.60 / 600	30110	868/1913
	300	13.25 / 336.6	30.00 / 762	30.62 / 778	21.50 / 546	14.41 / 366	23.60 / 600	29680	1053/2321
	600	13.25 / 336.6	35.00 / 889	35.12 / 892	22.80 / 579	15.43 / 392	23.60 / 600	24220	1513/3336
16/400	150	15.25 / 387.4	30.00 / 762	30.50 / 775	22.99 / 584	15.51 / 394	23.60 / 600	39210	1100/2420
	300	15.25 / 387.4	33.00 / 838	33.62 / 854	22.99 / 584	16.42 / 417	23.60 / 600	38760	1382/3047
	600	15.25 / 387.4	39.00 / 991	39.12 / 994	24.21 / 615	17.87 / 454	23.60 / 600	31200	1953/4297
18/450	150	17.25 / 438.2	34.00 / 864	34.50 / 876	25.43 / 646	18.19 / 462	23.60 / 600	52350	1613/3556
	300	17.25 / 438.2	36.00 / 914	36.62 / 930	25.43 / 646	18.31 / 465	23.60 / 600	51060	1906/4202
	600	17.25 / 438.2	43.00 / 1092	43.12 / 1095	29.29 / 744	19.57 / 497	23.60 / 600	43200	2867/6321
20/500	150	19.25 / 489.0	36.00 / 914	36.50 / 927	29.17 / 741	19.72 / 501	23.60 / 600	64250	2071/4566
	300	19.25 / 489.0	39.00 / 991	39.72 / 1010	29.17 / 741	19.21 / 488	23.60 / 600	63030	2505/5523
	600	19.25 / 489.0	47.00 / 1194	47.25 / 1200	30.55 / 776	20.79 / 528	23.60 / 600	53420	3489/7692
24/600	150	23.25 / 590.6	42.00 / 1067	42.50 / 1080	32.72 / 831	25.16 / 639	27.56 / 700	100770	3338/7359
	300	23.25 / 590.6	45.00 / 1143	45.88 / 1165	32.95 / 837	22.01 / 559	27.56 / 700	90760	3914/8629
	600	23.25 / 590.6	55.00 / 1397	55.38 / 1407	34.72 / 882	23.54 / 598	27.56 / 700	82050	5695/12555





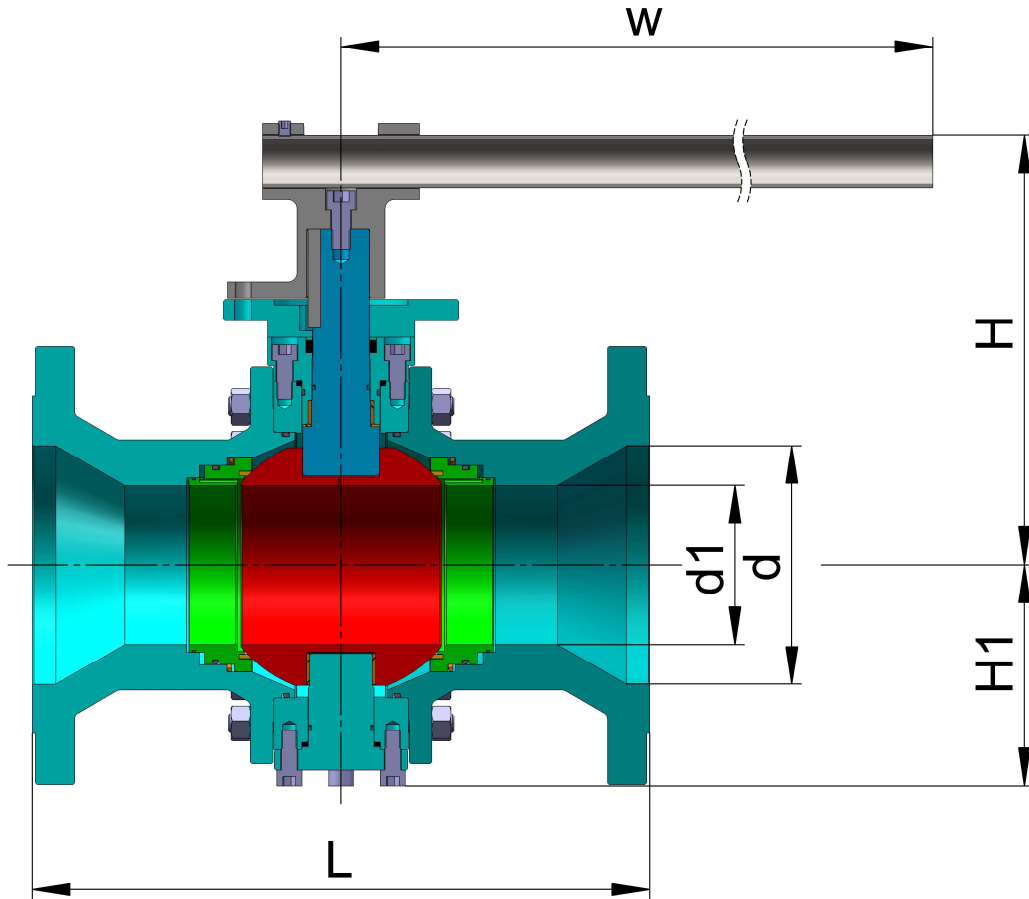
Crown - fusion Series 432

3"~6" RP Class 150 ~ 300

3"~4" RP Class 600 ~ 900

3"RP Class 1500

FLANGED END CONNECTION



Weights and Dimensions:

SIZE	CLASS	d1	d	L(RF)	L(RTJ)	H	H1	W	Cv	WEIGHT
in/mm		in/mm	in/mm	in/mm	in/mm	in/mm	in/mm	in/mm	gal/min	kg/Lbs
3"X2"X3"	150	2.00/50.8	3.00/76.2	8.00/203	8.50/216	7.44/189	3.43/87	14.37/365	220	24/53
	300	2.00/50.8	3.00/76.2	11.12/283	11.74/298	7.44/189	3.43/87	14.37/365	210	31/68
	600	2.00/50.8	3.00/76.2	14.00/356	14.12/359	9.17/233	4.09/104	21.65/550	190	52/115
	900	2.00/50.8	3.00/76.2	15.00/381	15.12/384	9.17/233	4.09/104	27.56/700	185	66/146
	1500	2.00/50.8	3.00/76.2	18.50/470	18.62/473	9.21/234	4.37/111	37.40/950	180	84/185
4"X3"X4"	150	3.00/76.2	4.00/101.6	9.00/229	9.50/241	9.65/245	4.33/110	21.65/550	630	42/93
	300	3.00/76.2	4.00/101.6	12.00/305	12.62/321	9.65/245	4.33/110	21.65/550	600	56/123
	600	3.00/76.2	4.00/101.6	17.00/432	17.12/435	10.67/271	4.92/125	27.56/700	560	95/209
	900	3.00/76.2	4.00/101.6	18.00/457	18.12/460	10.67/271	4.92/125	37.40/950	505	108/238
6"X4"X6"	150	4.00/101.6	6.00/152.4	15.50/394	16.00/406	11.18/284	5.55/141	21.65/550	925	81/179
	300	4.00/101.6	6.00/152.4	15.88/403	16.50/419	11.18/284	5.55/141	27.56/700	910	105/231





Crown - fusion

Series 432

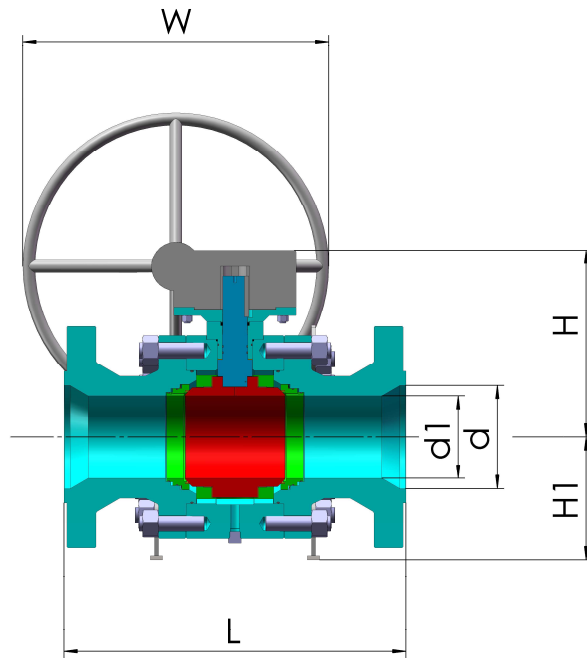
8"~24" RP Class 150 ~ 300

6"~24" RP Class 600

6"~12" RP Class 900

4"~12" RP Class 1500

FLANGED END CONNECTION



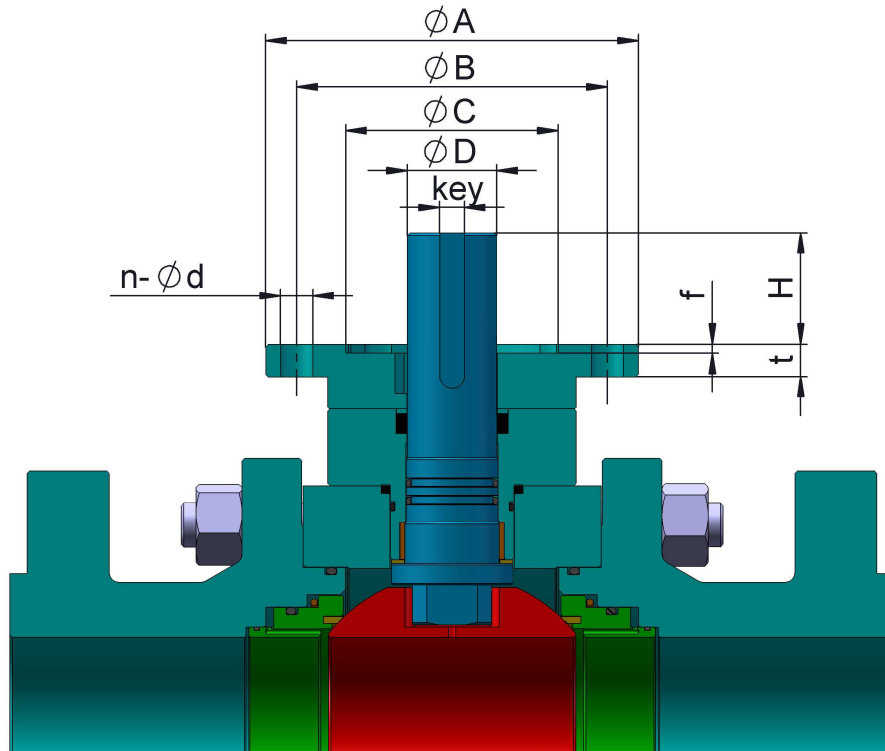
Weights and Dimensions:

SIZE	CLASS	d1	d	L(RF)	L(RTJ)	H	H1	W	Cv	WEIGHT
in/mm		in/mm	in/mm	in/mm	in/mm	in/mm	in/mm	in/mm	gal/min	kg/Lbs
4"X3"X4"	1500	3.00/76.2	4.00/101.6	21.50/546	21.62/549	10.24/260	5.51/140	11.81 / 300	500	158/348
	600	4.00/101.6	6.00/152.4	22.00/559	22.12/562	10.91/277	5.91/150	13.78 / 350	800	188/414
6"X4"X6"	900	4.00/101.6	6.00/152.4	24.00/610	24.12/613	11.42/290	6.26/159	13.78 / 350	730	231/509
	1500	4.00/101.6	6.00/152.4	27.75/705	28.00/711	12.32/313	6.65/169	20.00 / 500	463	345/761
8"X6"X8"	150	6.00/152.4	8.00/203.2	18.00/457	18.50/470	11.89/302	6.73/171	13.78 / 350	2500	182/401
	300	6.00/152.4	8.00/203.2	19.75/502	20.37/518	11.89/302	6.73/171	13.78 / 350	2480	214/472
	600	6.00/152.4	8.00/203.2	26.00/660	26.12/664	12.56/319	9.02/229	15.75 / 400	2150	307/677
	900	6.00/152.4	8.00/203.2	29.00/737	29.12/740	14.37/365	10.04/255	20.00 / 500	2010	500/1102
	1500	5.75/146.1	7.63/193.7	32.75/832	33.13/841	15.35/390	10.87/276	20.00 / 500	1695	720/1587
10"X8"X10"	150	8.00/203.2	10.00/254.0	21.00/533	21.50/546	15.39/391	10.00/254	20.00 / 500	5000	326/719
	300	8.00/203.2	10.00/254.0	22.38/568	23.00/584	15.39/391	10.00/254	20.00 / 500	4990	388/855
	600	8.00/203.2	10.00/254.0	31.00/787	31.12/791	15.91/404	10.47/266	23.60 / 600	4500	591/1303
	900	8.00/203.2	10.00/254.0	33.00/838	33.12/841	16.54/420	11.26/286	20.00 / 500	4160	769/1695
	1500	7.63/193.7	9.50/241.3	39.00/991	39.38/1000	19.72/501	12.80/325	23.60 / 600	3573	1094/2412
12"X10"X12"	150	10.00/254.0	12.00/304.8	24.00/610	34.50/622	17.40/442	11.42/290	23.60 / 600	8400	532/1173
	300	10.00/254.0	12.00/304.8	25.50/648	26.12/664	17.40/442	11.89/302	23.60 / 600	8390	605/1334
	600	10.00/254.0	12.00/304.8	33.00/838	33.12/841	17.95/456	11.54/293	23.60 / 600	8000	861/1898
	900	10.00/254.0	12.00/304.8	38.00/965	38.12/968	19.02/483	13.11/333	23.60 / 600	7300	1254/2765
	1500	9.50/241.3	11.37/288.9	44.50/1130	45.12/1146	21.54/547	15.00/381	23.60 / 600	6356	2100/4630
14"X12"X14"	150	12.00/304.8	13.25/336.6	27.00/686	27.50/699	18.82/478	12.52/318	23.60 / 600	11260	678/1495
	300	12.00/304.8	13.25/336.6	30.00/762	30.62/778	18.82/478	13.54/344	23.60 / 600	10860	831/1832
	600	12.00/304.8	13.25/336.6	35.00/889	35.12/892	19.92/506	14.37/365	23.60 / 600	8950	1259/2776
16"X12"X16"	150	12.00/304.8	15.25/387.4	30.00/762	30.50/775	18.82/478	12.52/318	23.60 / 600	8890	732/1614
	300	12.00/304.8	15.25/387.4	33.00/838	33.62/854	18.82/478	13.54/344	23.60 / 600	8630	928/2046
18"X14"X18"	150	12.00/304.8	15.25/387.4	39.00/991	39.12/994	19.92/506	14.37/365	23.60 / 600	7650	1424/3139
	300	13.25/336.6	17.25/438.2	34.00/864	34.50/876	21.50/546	13.98/355	23.60 / 600	12500	940/2072
	600	13.25/336.6	17.25/438.2	36.00/914	36.62/930	21.50/546	14.41/366	23.60 / 600	11800	1160/2557
20"X16"X20"	150	13.25/336.6	17.25/438.2	43.00/1092	43.12/1095	22.80/579	15.43/392	23.60 / 600	10890	1735/3825
	300	15.25/387.4	19.25/489.0	36.00/914	36.50/927	22.99/584	15.51/394	23.60 / 600	16350	1228/2707
	600	15.25/387.4	19.25/489.0	39.00/991	39.75/1010	22.99/584	16.42/417	23.60 / 600	16110	1611/3552
24"X20"X24"	150	15.25/387.4	19.25/489.0	47.00/1194	47.25/1200	24.21/615	17.87/454	23.60 / 600	15140	2327/5130
	300	19.25/489.0	23.25/590.6	42.00/1067	42.50/1080	29.17/741	19.72/501	23.60 / 600	26330	2251/4963
	600	19.25/489.0	23.25/590.6	45.00/1143	45.88/1165	29.17/741	19.21/488	23.60 / 600	26000	2833/6246
		600	19.25/489.0	23.25/590.6	55.00/1397	55.38/1407	30.55/776	20.79/528	25100	3976/8766





Crown - fusion Series 432



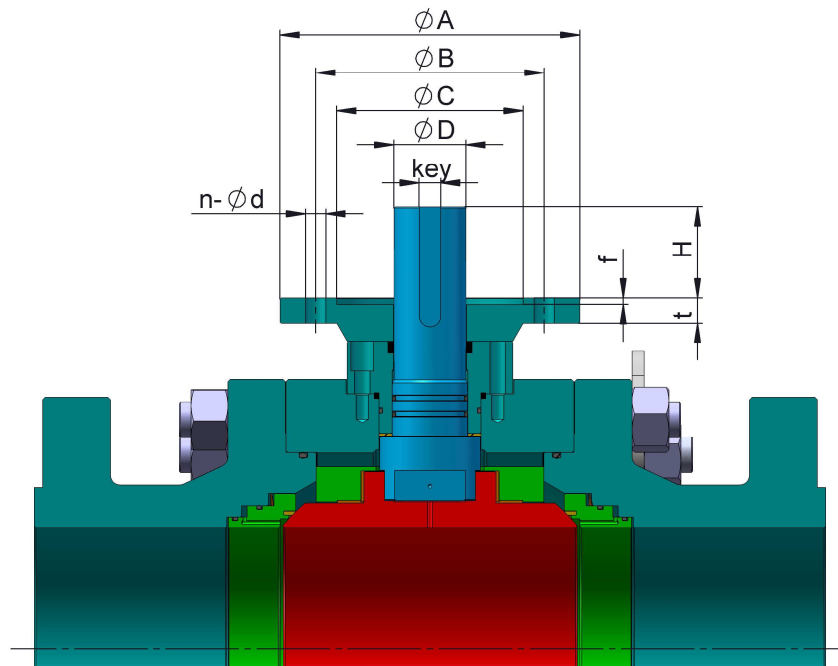
Actuator Mounting dimensions:

SIZE	CLASS	A	B	C	D	f	t	n-Ød	H	Key	ISO
in/mm		in/mm	in/mm	in/mm	in/mm	in/mm	in/mm	in/mm	in/mm	in/mm	5211#
2" 3"X2"X3"	150	4.92/125.0	4.02/102	2.78/70.5	0.87/22	0.13/3.2	0.39/10	4-0.43/4-11	1.04/26.5	0.24/6	F10
	300	4.92/125.0	4.02/102	2.78/70.5	0.87/22	0.13/3.2	0.39/10	4-0.43/4-11	1.04/26.5	0.24/6	F10
	600	5.91/150.0	4.92/125	3.37/85.5	1.10/28	0.13/3.2	0.51/13	4-0.51/4-13	1.46/37	0.32/8	F12
	900	5.91/150.0	4.92/125	3.37/85.5	1.10/28	0.13/3.2	0.51/13	4-0.51/4-13	1.46/37	0.32/8	F12
	1500	5.91/150.0	4.92/125	3.37/85.5	1.10/28	0.13/3.2	0.51/13	4-0.51/4-13	1.46/37	0.32/8	F12
	2500	6.89/175.0	5.51/140	3.96/100.5	1.26/32	0.16/4	0.67/17	4-0.67/4-17	2.24/57	0.39/10	F14
3" 4"X3"X4"	150	5.91/150.0	4.92/125	3.37/85.5	1.10/28	0.14/3.5	0.51/13	4-0.51/4-13	1.46/37	0.32/8	F12
	300	5.91/150.0	4.92/125	3.37/85.5	1.10/28	0.14/3.5	0.51/13	4-0.51/4-13	1.46/37	0.32/8	F12
	600	5.91/150.0	4.92/125	3.37/85.5	1.42/36	0.14/3.5	0.51/13	4-0.51/4-13	1.77/45	0.39/10	F12
	900	5.91/150.0	4.92/125	3.37/85.5	1.42/36	0.14/3.5	0.51/13	4-0.51/4-13	1.77/45	0.39/10	F12
	1500	6.89/175.0	5.51/140	3.96/100.5	1.42/36	0.16/4	0.67/17	4-0.67/4-17	2.36/60	0.39/10	F14
	2500	8.27/210.0	6.50/165	5.14/130.5	1.65/42	0.24/6	0.87/22	4-0.82/4-21	2.44/62	0.47-12	F16
4" 6"X4"X6"	150	5.91/150.0	4.92/125	3.37/85.5	1.42/36	0.14/3.5	0.51/13	4-0.51/4-13	1.77/45	0.39/10	F12
	300	5.91/150.0	4.92/125	3.37/85.5	1.42/36	0.14/3.5	0.51/13	4-0.51/4-13	1.77/45	0.39/10	F12
	600	6.89/175.0	5.51/140	3.96/100.5	1.65/42	0.16/4	0.67/17	4-0.67/4-17	2.36/60	0.47/12	F14
	900	6.89/175.0	5.51/140	3.96/100.5	1.65/42	0.16/4	0.67/17	4-0.67/4-17	2.36/60	0.47/12	F14
	1500	8.27/210.0	6.50/165	5.14/130.5	1.65/42	0.20/5	0.83/21	4-0.83/4-21	2.83/72	0.47/12	F16
	2500	9.84/250.0	7.87/200	6.32/160.5	1.89/48	0.20/5	0.83/21	8-0.67/8-17	2.76/70	0.55/14	F20
6" 8"X6"X8"	150	6.89/175.0	5.51/140	3.96/100.5	1.65/42	0.16/4	0.67/17	4-0.67/4-17	2.36/60	0.47/12	F14
	300	6.89/175.0	5.51/140	3.96/100.5	1.65/42	0.16/4	0.67/17	4-0.67/4-17	2.36/60	0.47/12	F14
	600	8.27/210.0	6.50/165	5.14/130.5	1.89/48	0.20/5	0.83/21	4-0.83/4-21	2.76/70	0.55/14	F16
	900	9.84/250.0	7.87/200	6.32/160.5	1.89/48	0.20/5	0.83/21	4-0.67/8-17	2.99/76	0.55/14	F20
	1500	11.81/300.0	10.00/254	7.89/200.5	2.36/60	0.20/5	0.83/21	8-0.67/8-17	2.99/76	0.71/18	F25





Crown - fusion Series 432



Actuator Mounting dimensions:

SIZE	CLAS	A	B	C	D	f	t	n-Ød	H	Key	ISO
in/mm	S	in/mm	in/mm	in/mm	in/mm	in/mm	in/mm	in/mm	in/mm	in/mm	5211#
8" 10"X8"X10"	150	9.84/250.0	7.87/200	6.32/160.5	2.36/60	0.20/5	0.83/21	8-0.67/8-17	3.01/76.5	0.71/18	F20
	300	9.84/250.0	7.87/200	6.32/160.5	2.36/60	0.20/5	0.83/21	8-0.67/8-17	3.01/76.5	0.71/18	F20
	600	9.84/250.0	7.87/200	6.32/160.5	2.36/60	0.20/5	0.83/21	8-0.67/8-17	2.99/76	0.71/18	F20
	900	11.81/300.0	10.00/254	7.89/200.5	2.36/60	0.20/5	0.83/21	8-0.67/8-17	3.01/76.5	0.71/18	F25
	1500	11.81/300.0	10.00/254	7.89/200.5	2.83/72	0.20/5	0.83/21	8-0.67/8-17	3.41/86.5	0.79/20	F25
10" 12"X10"X12"	150	11.81/300.0	10.00/254	7.89/200.5	2.83/72	0.20/5	0.83/21	8-0.67/8-17	2.99/76	0.79/20	F25
	300	11.81/300.0	10.00/254	7.89/200.5	2.83/72	0.20/5	0.83/21	8-0.67/8-17	2.99/76	0.79/20	F25
	600	11.81/300.0	10.00/254	7.89/200.5	2.83/72	0.20/5	0.83/21	8-0.67/8-17	2.99/76	0.79/20	F25
	900	11.81/300.0	10.00/254	7.89/200.5	2.83/72	0.20/5	0.83/21	8-0.67/8-17	2.99/76	0.79/20	F25
	1500	13.78/350.0	11.73/298	9.07/230.5	3.15/80	0.20/5	0.83/21	8-0.83/8-21	3.23/82	0.87/22	F30
12" 14"X12"X14" 16"X12"X16"	150	11.81/300.0	10.00/254	7.89/200.5	3.15/80	0.20/5	0.83/21	8-0.67/8-17	3.39/86	0.87/22	F25
	300	11.81/300.0	10.00/254	7.89/200.5	3.15/80	0.20/5	0.83/21	8-0.67/8-17	3.39/86	0.87/22	F25
	600	11.81/300.0	10.00/254	7.89/200.5	3.15/80	0.20/5	0.83/21	8-0.67/8-17	3.39/86	0.87/22	F25
	900	13.78/350.0	11.73/298	9.07/230.5	3.15/80	0.20/5	0.83/21	8-0.83/8-21	3.62/92	0.87/22	F30
	1500	13.78/350.0	11.73/298	9.07/230.5	3.94/100	0.20/5	0.91/23	8-0.83/8-21	3.80/96.5	2-1.10 / 2-28	F30
14" 18"X14"X18"	150	11.81/300.0	10.00/254	7.89/200.5	3.54/90	0.24/6	0.90/23	8-0.67/8-17	3.66/93	2-0.98 / 2-25	F25
	300	11.81/300.0	10.00/254	7.89/200.5	3.54/90	0.24/6	0.90/23	8-0.67/8-17	3.66/93	2-0.98 / 2-25	F25
	600	13.78/350.0	11.73/298	9.07/230.5	3.54/90	0.24/6	0.90/23	8-0.83/8-21	3.66/93	2-0.98 / 2-25	F30
16" 20"X16"X20"	150	13.78/350.0	11.73/298	9.07/230.5	3.94/100	0.24/6	0.91/23	8-0.83/8-21	3.82/97	2-1.10 / 2-28	F30
	300	13.78/350.0	11.73/298	9.07/230.5	3.94/100	0.24/6	0.91/23	8-0.83/8-21	3.82/97	2-1.10 / 2-28	F30
	600	13.78/350.0	11.73/298	9.07/230.5	3.94/100	0.24/6	0.91/23	8-0.83/8-21	3.94/100	2-1.10 / 2-28	F30
18"	150	13.78/350.0	11.73/298	9.07/230.5	3.94/100	0.24/6	0.91/23	8-0.83/8-21	3.94/100	2-1.10 / 2-28	F30
	300	13.78/350.0	11.73/298	9.07/230.5	3.94/100	0.24/6	0.91/23	8-0.83/8-21	3.94/100	2-1.10 / 2-28	F30
	600	16.34/415.0	14.02/356	10.26/260.5	4.49/114	0.24/6	1.26/32	8-1.26/8-32	5.70/145	2-1.26 / 2-32	F35
20" 24"X20"X24"	150	16.34/415.0	14.02/356	10.26/260.5	4.49/114	0.24/6	1.26/32	8-1.26/8-32	5.75/146	2-1.26 / 2-32	F35
	300	16.34/415.0	14.02/356	10.26/260.5	4.49/114	0.24/6	1.26/32	8-1.26/8-32	5.75/146	2-1.26 / 2-32	F35
	600	16.34/415.0	14.02/356	10.26/260.5	4.49/114	0.24/6	1.26/32	8-1.26/8-32	5.70/145	2-1.26 / 2-32	F35
24"	150	18.70/475.0	15.98/406	11.83/300.5	5.51/140	0.31/8	1.57/40	8-1.50/8-38	5.79/147	2-1.41 / 2-36*	F40
	300	18.70/475.0	15.98/406	11.83/300.5	5.51/140	0.31/8	1.57/40	8-1.50/8-38	5.79/147	2-1.41 / 2-36*	F40
	600	18.70/475.0	15.98/406	11.83/300.5	5.51/140	0.31/8	1.57/40	8-1.50/8-38	5.75/146	2-1.41 / 2-36*	F40

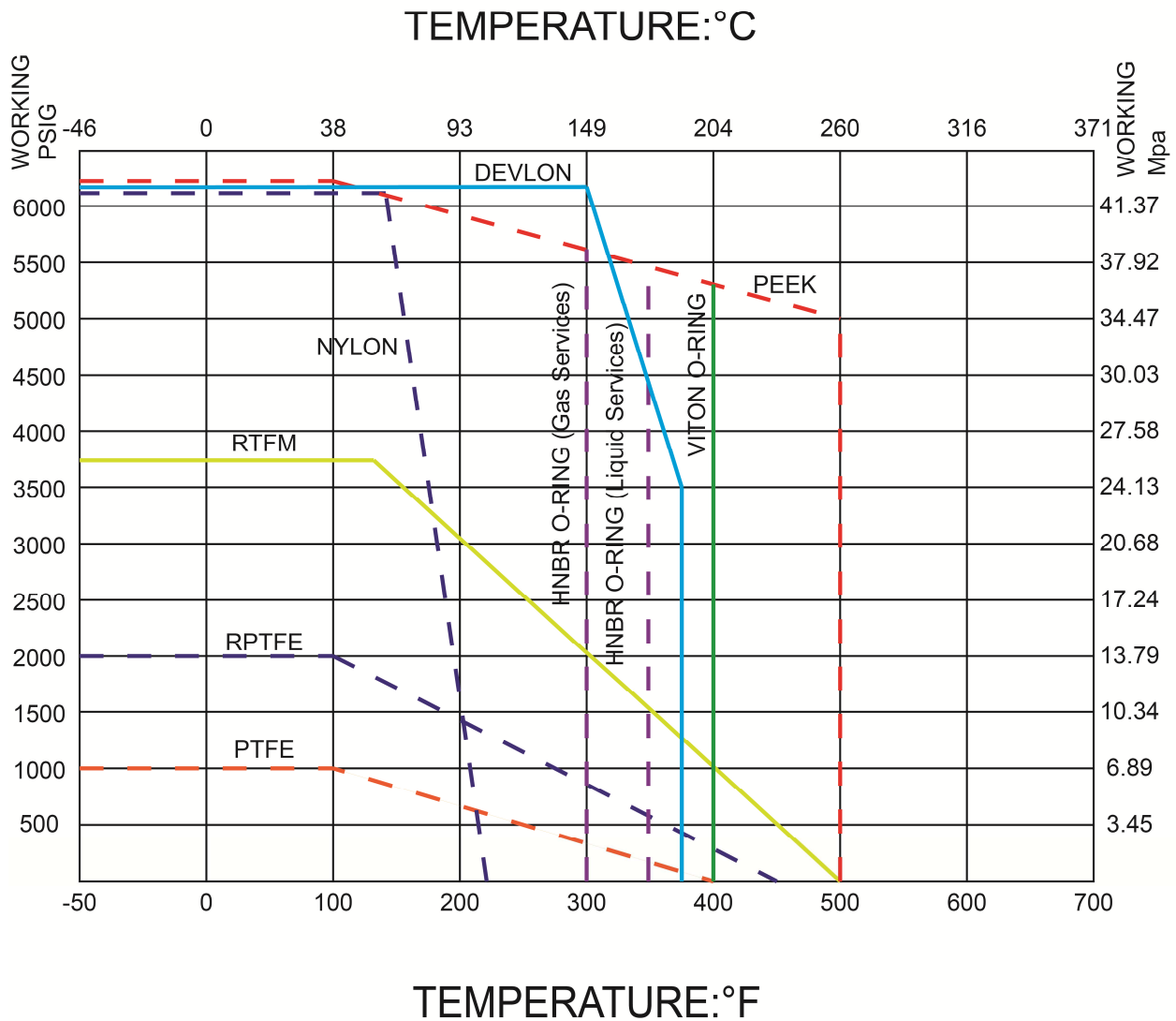
* = Key size, 1.42 X 1.42 in / 36 X 36mm





Pressure/Temperature Information:

PRESSURE/TEMPERATURE CURVE



TORQUE DATA

Torque Data is published separately and available upon request. Please contact your local representative for details.

Due to continuous development of our products, we reserve the right to modify our product design or construction without prior notice.

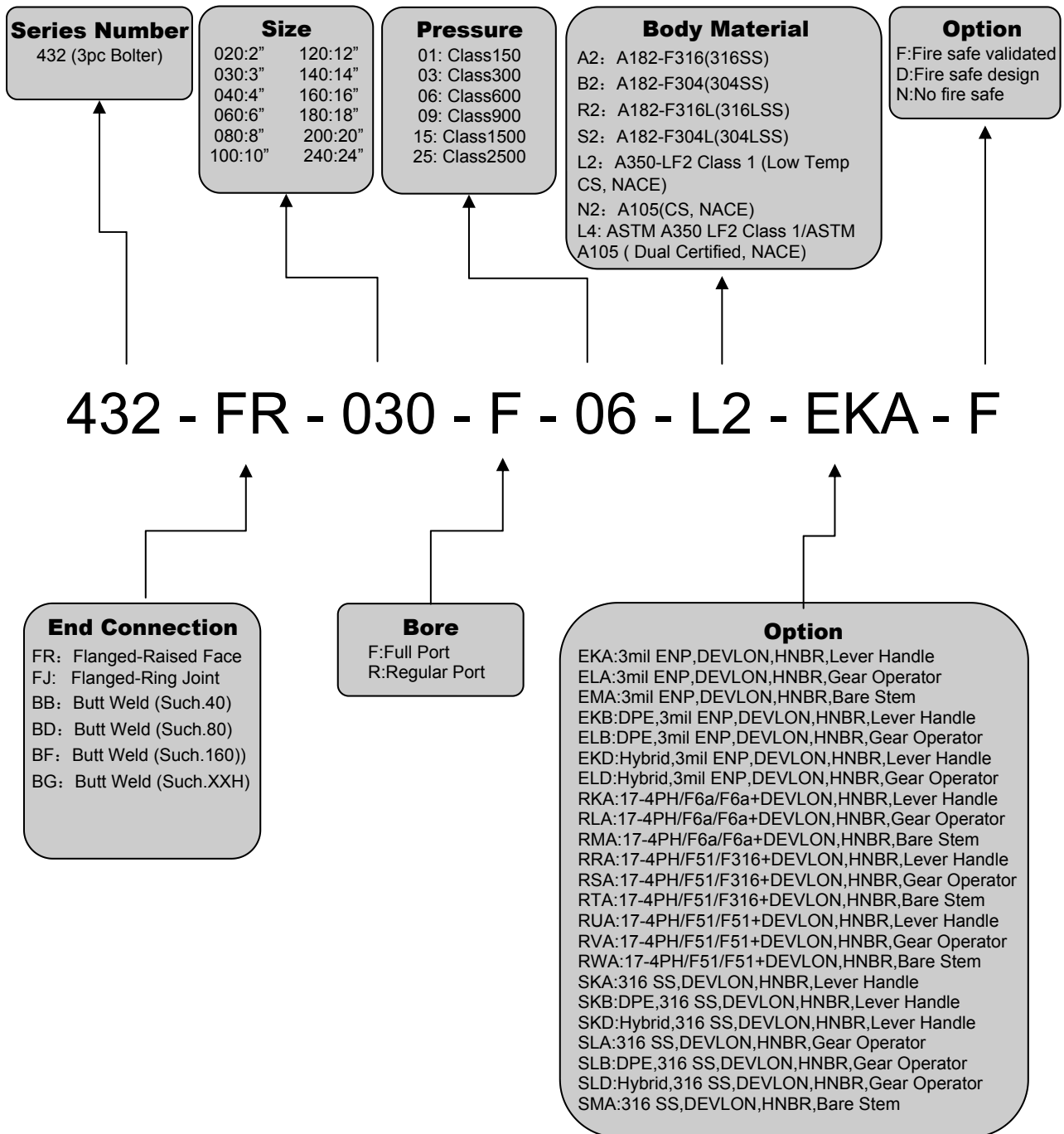




Crown - fusion

Series 432

Ordering Information:



Ordering Repair Kits

SK=Minor Repair Kit– includes all soft goods (Seat and Seals) only

MK=Major Repair Kit– includes all soft goods (Seat and Seals) Ball and Stem

The code "SK" or "MK" in the end connection field denotes either minor (SK) or major (MK) repair kit.





Crown - fusion

Series 432

ISO/API/CE Certificates:

Certificate

Standard: ISO 9001:2015
Certificate Registr. No. 01 100 048884

Certificate Holder: Fortune Valve (Ningbo) Co., Ltd
Unified Social Credit Code: 91330206730154511H
Registration Address: No. 15 Fengyang 2 Road, Beilun District, Ningbo City, 315502 Zhejiang, P.R. China
Operation Address: same as above

Scope: Design and Manufacturing of Ball Valves and Its Parts

Proof has been furnished by means of an audit that the requirements of ISO 9001:2015 are met.

Validity: The certificate is valid from 2023-05-23 until 2025-05-22, if remain valid subject to satisfactory surveillance audits.
First certification 2005
This certificate information can be searched on CNCA official website <http://www.cnca.gov.cn>

2023-04-11

TÜV Rheinland Cert Group
Am Gleisen Str. 11 10249 Köln

Authorized responsible office: TÜV Rheinland China Ltd., Room 301, 3F and Room 1005, 12F, Building No. 15, Renmin Road East, Beijing Economic Technological Development Area, Beijing 101069 group in high-end industrial area of Beijing Pilot Free Trade Zone, 100106, P.R. China

www.tuv.com IAF DAKS TÜV Rheinland

Certificate of Authority to use the Official API Monogram
License Number: 6D-1316 ORIGINAL

The American Petroleum Institute hereby grants to:

FORTUNE VALVE (NINGBO) CO., LTD.
No. 15 Fengyang 2 Road Beilun District
Ningbo, Zhejiang
People's Republic Of China

the right to use the Official API Monogram[®] on manufactured products under the conditions in the official publications of the American Petroleum Institute entitled API Spec Q1[®] and API 6D[®] and in accordance with the provisions of the License Agreement.

In all cases where the Official API Monogram is applied, the API Monogram shall be used in conjunction with this certificate number: **6D-1316**

The American Petroleum Institute reserves the right to revoke this authorization to use the Official API Monogram at any time, at the discretion of the Board of Directors of the American Petroleum Institute.

The scope of this license includes the following: Ball Valves

CRMS Exclusion: Servicing

Effective Date: DECEMBER 17, 2023
Expiration Date: DECEMBER 17, 2026

To verify the authority of this license, go to www.api.org/competitor.

Carol Lister
Senior Vice President of Global Industry Services

EURO CERT

CERTIFICATE OF FULL QUALITY ASSURANCE FOR PRESSURE EQUIPMENT ACCORDING TO EUROPEAN DIRECTIVE 2014/68/EU (MODULE H)

Certificate No. 1689.13389 (Rev. 2)
Date of issue: 20/04/2023
Issue Date: 20/04/2023
The Certificate Valid until: 20/04/2025
Manufacturer Name: FORTUNE VALVE

Subject to satisfactory annual surveillance.

Applicant/Manufacturer Name & Address:	FORTUNE VALVE (NINGBO) CO., LTD. NO. 15 FENGYANG 2 ROAD, BEILUN DISTRICT, NINGBO, ZHEJIANG, P.R. CHINA
Type of Pressure Equipment:	BALL VALVE
Technical Description of Pressure Equipment:	As per this certificate
Pressure Category of Pressure Equipment:	II
Against the Provisions of:	EUROPEAN PRESSURE EQUIPMENT DIRECTIVE 2014/68/EU
Scope of Certification:	DESIGN AND PRODUCTION OF BALL VALVE
Auth Report No.:	1027.13389.02

Conditions & Limitations: Each pressure equipment should be accompanied with manufacturer's declaration of conformity and technical data. The manufacturer must keep the notified body informed of any intended updating of the quality assurance system. The manufacturer must affix the CE Marking and Eurocert's identification No. to each item of pressure equipment as stipulated below.

CE

This is to certify that Customer S.A. has obtained the quality assurance system of the above-mentioned manufacturer with satisfactory results.

Revision No.	Description	Issue Date
01	Original certificate	20/04/2023
1	Supervision Review	23/01/2024
	Version of design standard has been modified	05/02/2023

Check the validity of this certificate by scanning the QR code or visit www.eurocert.com

Other Products Available



Crown Fusion Flanged Floating Ball Valves 1/2"-6", ASME Class 150 - 600

