



Crown - fusion

Series 413

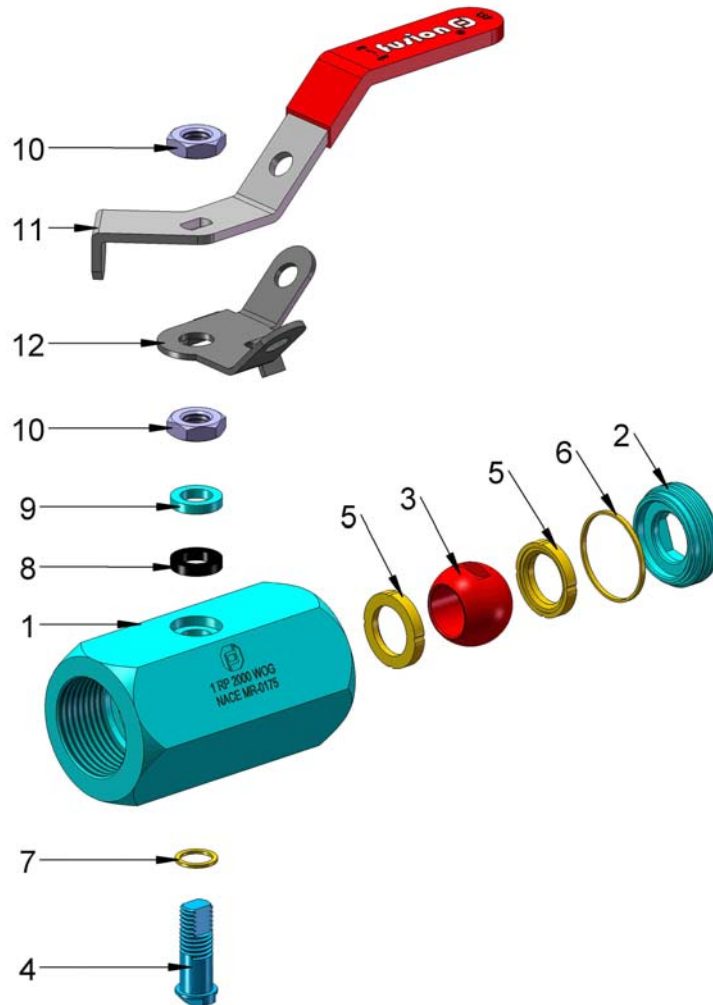
Barstock Ball Valves, Unibody Construction

1/4" ~2" size, Class 800~(2000 WOG)

Optional Locking Handle

Heavy Duty Design, Stainless Steel Trim

ASME B16.34 Standard



Bill of Materials:

ITEM	PART	SOUR(NACE)
1	BODY	ASTM A696 Gr.C (CS)
2	SEAT RETAINER	ASTM A216 WCB or A696 Gr.C (CS)
3	BALL	ASTM A351 CF8 (304SS)
4	STEM	ASTM A479 304SS
■5	SEAT	RTFE
■6	GASKET	PTFE
■7	THRUST WASHER	RTFE
■8	PACKING	PTFE
9	GLANG	304SS
●10	NUT	CS PLATED
11	HANDLE	CS PLATED WITH VINYL GRIP
12	LOCKING PLATE	CS PLATED

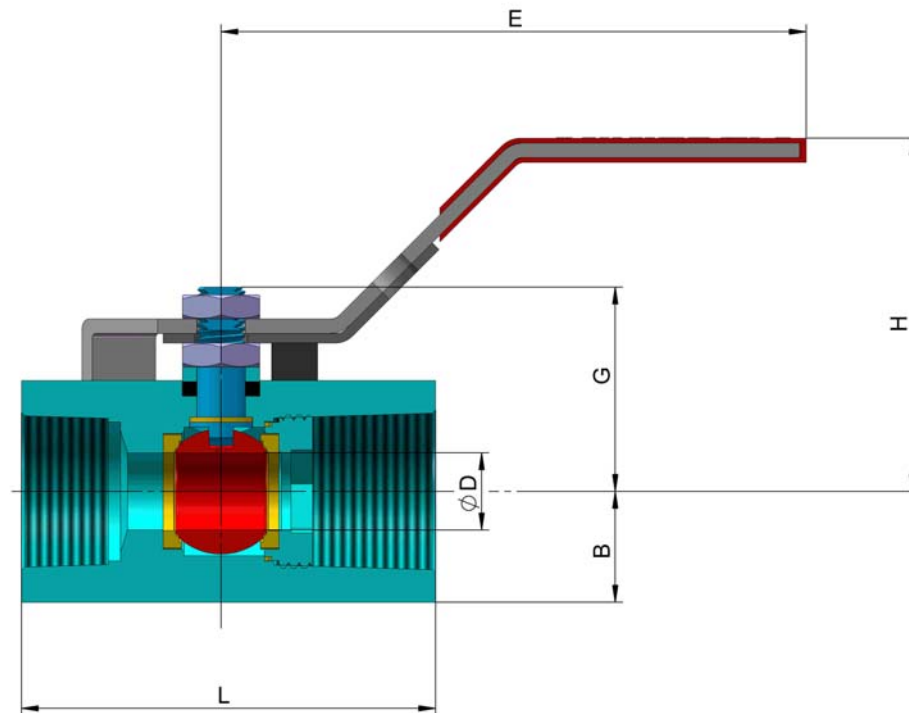
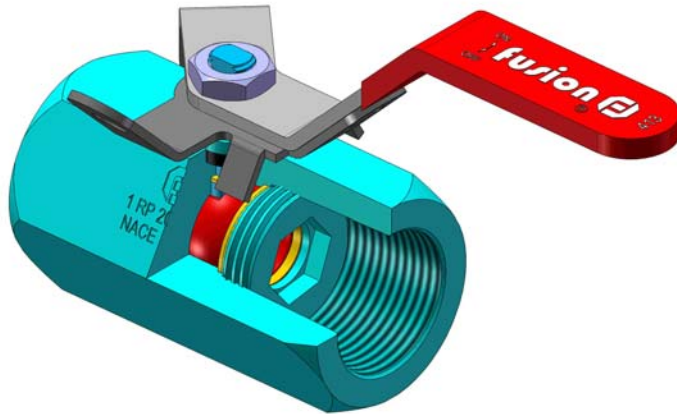
Note: ■Minor repair kit; ●Item 10: is a nut and spring washer for 1/4" and 3/8" only .





Crown - fusion

Series 413



Regular Port Dimensions
Weights and Dimensions:

SIZE	WOG / PN	D	L	B	G	H	E	Cv	WEIGHT
IN / DN		in / mm	in / mm	in / mm	in / mm	in / mm	in / mm	gal / min	kg / Lbs
1/4 / 8	2000 / 130	0.20 / 5	1.70 / 43	0.41 / 11	0.70 / 18	1.35 / 34	2.63 / 67	2	0.1 / 0.2
3/8 / 10	2000 / 130	0.28 / 7	1.86 / 47	0.50 / 13	0.90 / 23	1.46 / 37	2.63 / 67	3	0.2 / 0.4
1/2 / 15	2000 / 130	0.36 / 9	2.46 / 63	0.59 / 15	1.07 / 27	2.30 / 58	4.65 / 118	5	0.4 / 0.9
3/4 / 20	2000 / 130	0.49 / 13	2.75 / 70	0.71 / 18	1.20 / 31	2.44 / 62	4.65 / 118	9	0.5 / 1.1
1 / 25	2000 / 130	0.63 / 16	3.38 / 86	0.91 / 23	1.51 / 38	2.71 / 69	4.72 / 120	13	1.0 / 2.2
1 1/4 / 32	2000 / 130	0.79 / 20	3.69 / 94	1.08 / 28	1.79 / 46	2.98 / 76	5.75 / 146	21	1.4 / 3.1
1 1/2 / 40	2000 / 130	0.96 / 25	4.00 / 102	1.20 / 31	1.99 / 51	3.16 / 80	5.75 / 146	32	1.8 / 4.0
2 / 50	2000 / 130	1.26 / 32	4.50 / 114	1.48 / 38	2.26 / 58	3.49 / 89	6.00 / 153	55	2.9 / 6.4

Note: 1. "L" DIMENSION ±0.06in. /1.5mm

Due to continuous development of our products, we reserve the right to modify our product design or construction without prior notice.

