



# Crown - fusion

## Series 315/415

Unibody Regular Port Threaded Ball Valve

1/4" ~ 2" sizes, 2000 WOG

Blowout proof stem

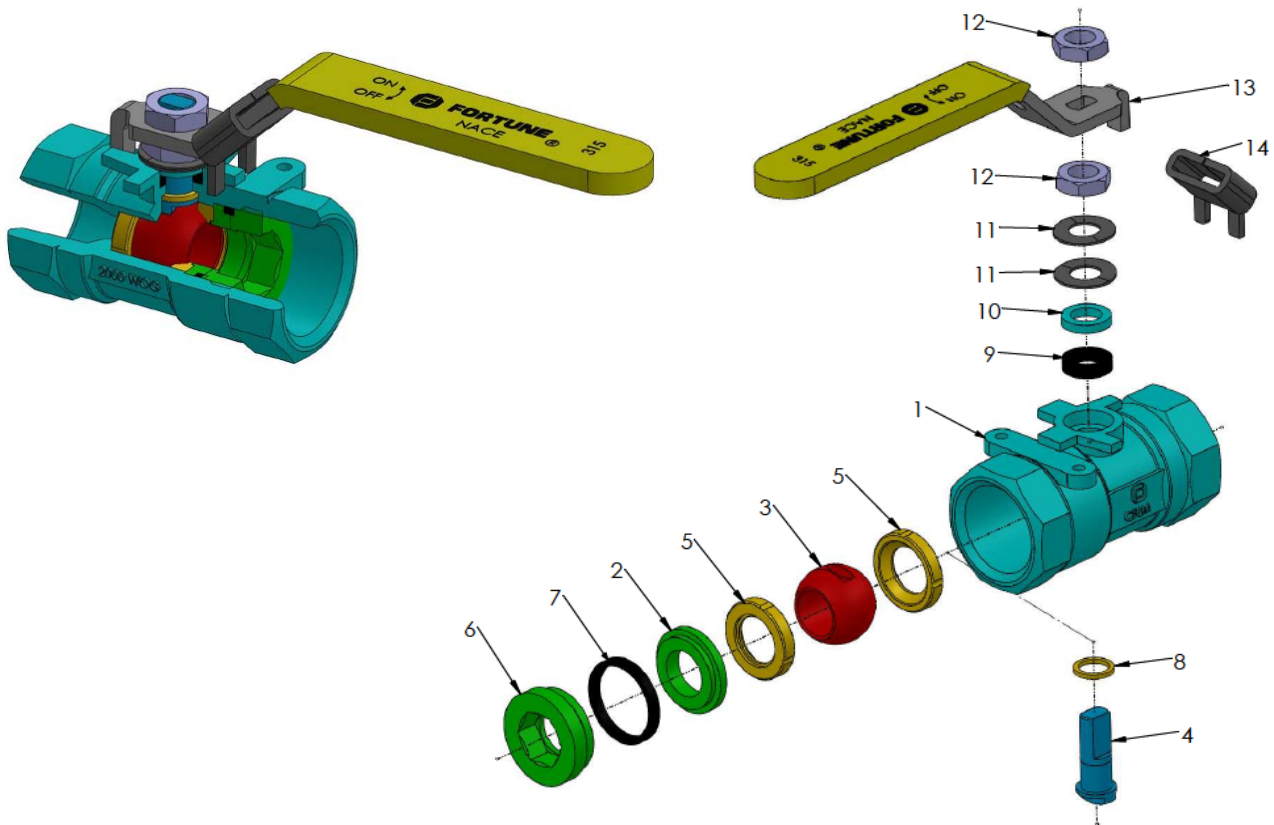
Materials to NACE MR0175

Standard Marking to MSS SP 25

Fire Safe Certified to API 607

Pressure Tests to MSS SP 110

Standard Locking Handle



### Bill of Materials

ITEM	PART	315:STAINLESS STEEL	415:CARBON STEEL	Q'TY
1	BODY	ASTM A351 CF8M	ASTM A216 WCB	1
2	SEAT RETAINER	ASTM A351 CF8M	ASTM A108 WCB	1
3	BALL	ASTM A351 CF8M	ASTM A351 CF8	1
4	STEM	ASTM A479 316	ASTM A479 304	1
☆ 5	SEAT	RTFE	RTFE	2
6	RETAINER NUT	ASTM A351 CF8M	ASTM A108 WCB	1
☆ 7	GASKET	GRAPHITE	GRAPHITE	1
☆ 8	THRUST WASHER	RTFE	RTFE	1
☆ 9	PACKING	GRAPHITE	GRAPHITE	1
10	GLAND	304SS	304SS	1
11	BELLEVILLE WASHER	C/S PLATED	C/S PLATED	2
12	HANDLE NUT	304SS	C/S PLATED	2
13	HANDLE	304SS	C/S PLATED	1
14	LOCKING DEVICE	304SS	C/S PLATED	1

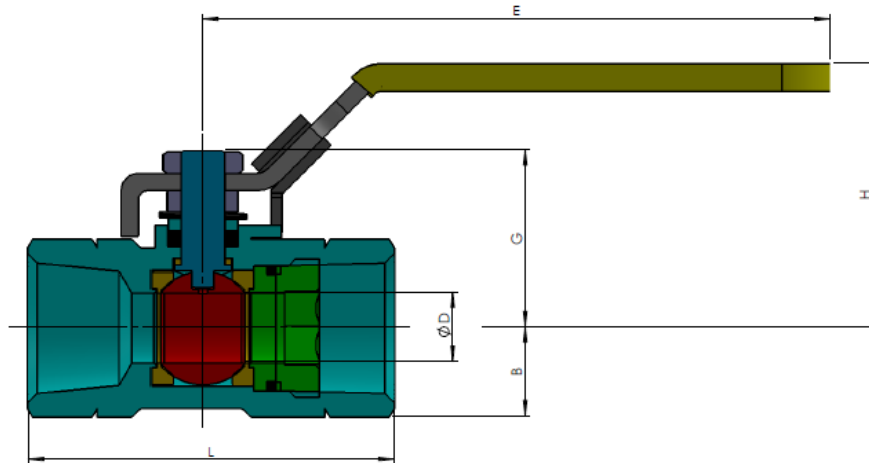
Note : ☆ Minor repair kit ;





# Crown - fusion

## Series 315/415

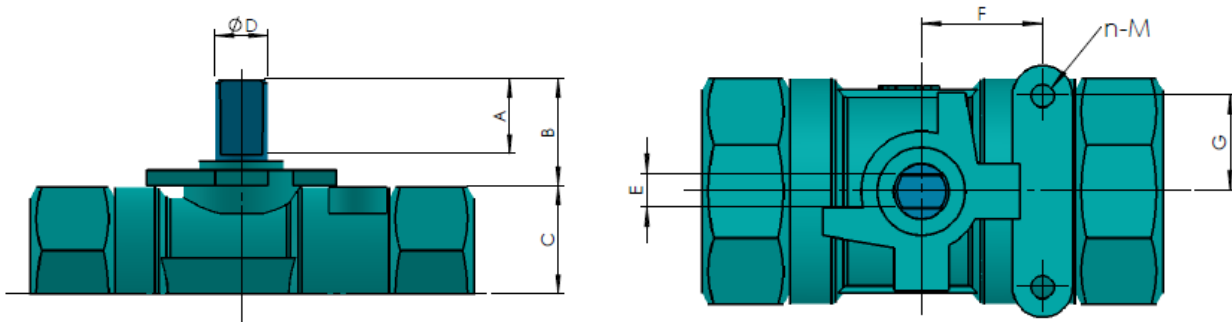


### Weights and Dimensions

SIZE	WOG / PN	D	L	B	G	H	E	Cv	WEIGHT
In / DN		In / mm	In / mm	In / mm	In / mm	In / mm	In / mm	gal / min	Kg / Lbs
1/4 / 8	2000 / 130	0.31 / 8.0	2.32 / 59	0.53 / 14	1.08 / 28	1.73 / 44	4.37 / 111	5	0.29 / 0.64
3/8 / 10	2000 / 130	0.31 / 8.0	2.32 / 59	0.53 / 14	1.08 / 28	1.73 / 44	4.37 / 111	5	0.29 / 0.64
1/2 / 15	2000 / 130	0.31 / 8.0	2.64 / 67	0.53 / 14	1.08 / 28	1.73 / 44	4.37 / 111	5	0.29 / 0.64
3/4 / 20	2000 / 130	0.49 / 12.5	2.80 / 71	0.66 / 17	1.25 / 32	1.85 / 47	4.37 / 111	9	0.42 / 0.93
1 / 25	2000 / 130	0.63 / 16.0	3.31 / 84	0.81 / 21	1.61 / 41	2.36 / 60	5.57 / 142	13	0.70 / 1.54
1-1/4 / 32	2000 / 130	0.79 / 20.0	3.70 / 94	0.98 / 25	1.79 / 46	2.60 / 66	5.57 / 142	21	0.98 / 2.16
1-1/2 / 40	2000 / 130	0.96 / 24.5	3.94 / 100	1.12 / 29	2.12 / 54	2.87 / 73	6.50 / 165	32	1.32 / 2.91
2 / 50	2000 / 130	1.26 / 32.0	4.65 / 118	1.37 / 35	2.34 / 60	3.07 / 78	6.50 / 165	55	2.04 / 4.50

Note : "L" DIMENSION ± 0.06 in. / 1.5 mm

Note : "D" = BALL INSIDE DIMENSION



### Actuator Mounting Dimensions

SIZE	A	B	C	D	E	F	G	n-M
In / DN	In / mm	In / mm	In / mm	In / mm	In / mm	In / mm	In / mm	mm
1/4 / 8	0.31 / 8	0.55 / 14	0.55 / 14	0.31 / 8	0.20 / 5	0.50 / 13	0.56 / 14	2-M5
3/8 / 10	0.31 / 8	0.55 / 14	0.55 / 14	0.31 / 8	0.20 / 5	0.50 / 13	0.56 / 14	2-M5
1/2 / 15	0.31 / 8	0.55 / 14	0.55 / 14	0.31 / 8	0.20 / 5	0.50 / 13	0.56 / 14	2-M5
3/4 / 20	0.35 / 9	0.59 / 15	0.66 / 17	0.31 / 8	0.20 / 5	0.50 / 13	0.56 / 14	2-M5
1 / 25	0.55 / 14	0.80 / 20	0.81 / 21	0.39 / 10	0.24 / 6	0.87 / 22	0.69 / 17	2-M5
1-1/4 / 32	0.51 / 13	0.81 / 21	0.98 / 25	0.39 / 10	0.24 / 6	0.87 / 22	0.69 / 17	2-M5
1-1/2 / 40	0.60 / 15	1.00 / 25	1.12 / 29	0.47 / 12	0.31 / 8	0.93 / 24	0.75 / 19	2-M6X6 DEEP
2 / 50	0.60 / 15	0.97 / 25	1.37 / 35	0.47 / 12	0.31 / 8	0.93 / 24	0.75 / 19	2-M6X6 DEEP

Due to continuous development of our products, we reserve the right to modify our product design or construction without prior notice.

