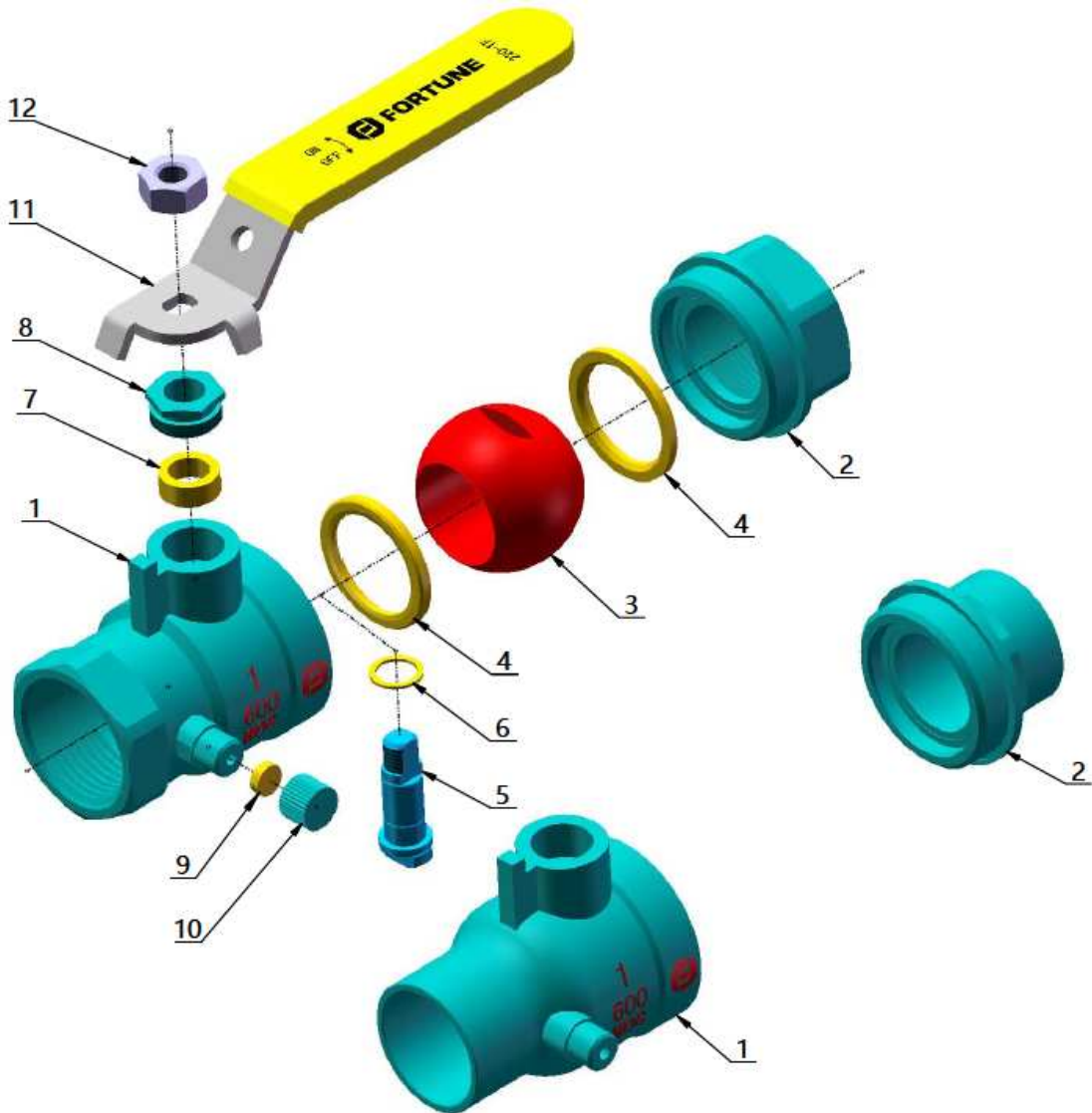


Fortune Series 222

1/2" ~ 1", Full Port, Two-Piece Construction, 600 WOG, 150 SWP, Blowout Proof Stem, MSS SP-110 Standard, Threaded Ends & Solder Ends, Forged Brass Material, Lead-Free Version Available (LF222)

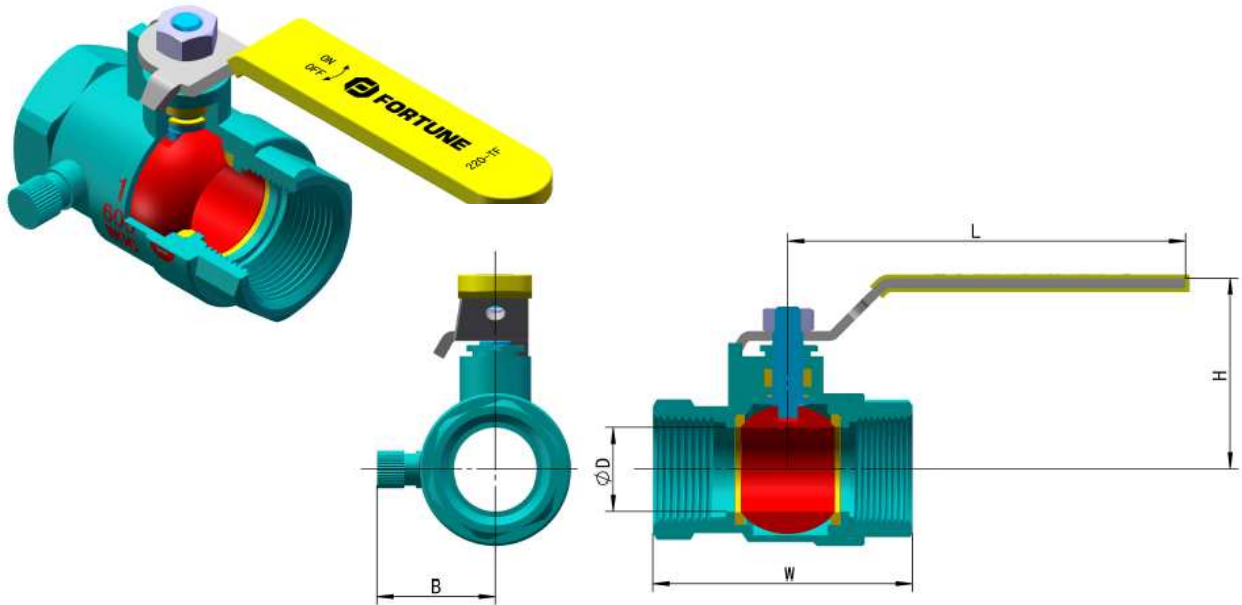


Bill of Materials

ITEM	PART	SPECIFICATION		Q'TY
1	BODY	FORGED BRASS	LEAD-FREE BRASS	1
2	END CAP	FORGED BRASS	LEAD-FREE BRASS	1
3	BALL	COPPER ALLOY, CHROME PLATED	LEAD-FREE BRASS, CHROME PLATED	1
4	SEAT	PTFE	PTFE	2
5	STEM	COPPER ALLOY	COPPER ALLOY	1
6	THRUST WASHER	PTFE	PTFE	1
7	PACKING	PTFE	PTFE	1
8	GLAND	COPPER ALLOY	COPPER ALLOY	1
9	PACKING	NBR	NBR	1
10	CAP	COPPER ALLOY	COPPER ALLOY	1
11	HANDLE	CARBON STEEL PLATED	CARBON STEEL PLATED	1
12	NUT	CARBON STEEL PLATED	CARBON STEEL PLATED	1

Fortune Series 222

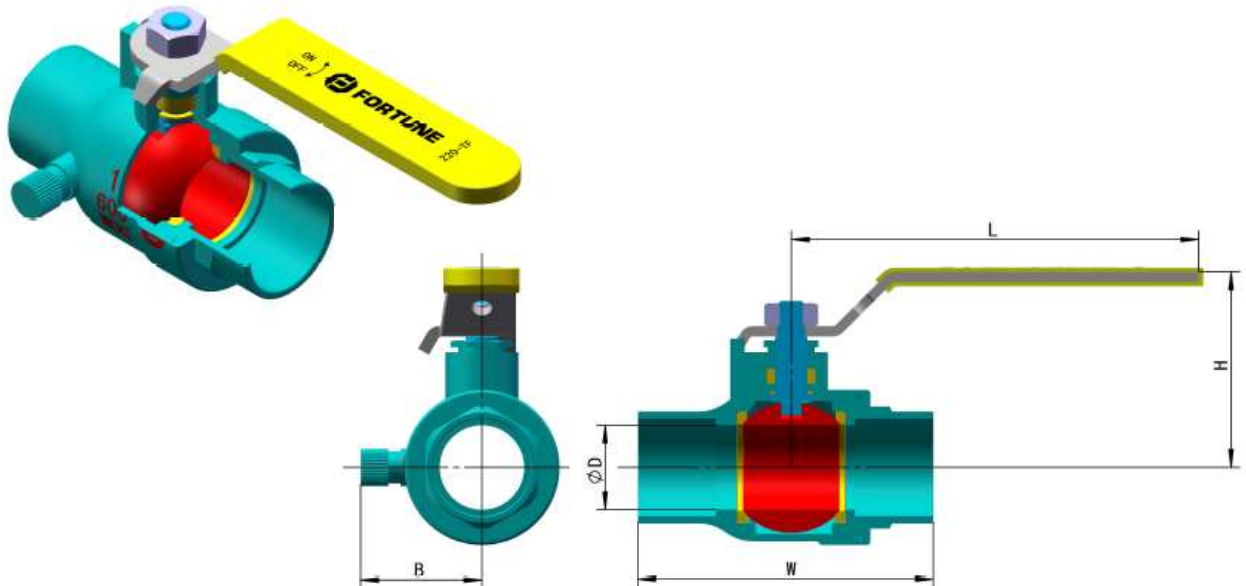
222-TF / LF222-TF



Weights and Dimensions

SIZE	D	W	H	L	B	Weight
In / DN	In / mm	In / mm	In / mm	In / mm	In / mm	Lb / Kg
1/2 / 15	0.50 / 12.7	2.32 / 59.0	1.42 / 36.0	3.23 / 82	1.03 / 26.2	0.44 / 0.20
3/4 / 20	0.75 / 19.0	2.55 / 64.8	1.77 / 44.9	3.94 / 100	1.23 / 31.2	0.74 / 0.34
1 / 25	0.98 / 25.0	2.64 / 78.2	2.27 / 57.6	4.72 / 120	1.41 / 35.7	1.19 / 0.54

222-CC / LF222-CC



Weights and Dimensions

SIZE	D	W	H	L	B	Weight
In / DN	In / mm	In / mm	In / mm	In / mm	In / mm	Lb / Kg
1/2 / 15	0.50 / 12.7	2.07 / 52.7	1.42 / 36.0	3.23 / 82	1.03 / 26.2	0.35 / 0.16
3/4 / 20	0.75 / 19.0	2.86 / 72.7	1.77 / 44.9	3.94 / 100	1.23 / 31.2	0.68 / 0.31
1 / 25	0.98 / 25.0	3.42 / 86.9	2.27 / 57.6	4.72 / 120	1.41 / 35.7	1.10 / 0.50