

# Fortune Series 320/420

**Threaded Full Port Two-Piece Ball Valve**

**1/4" ~ 3" Sizes, 1000 WOG**

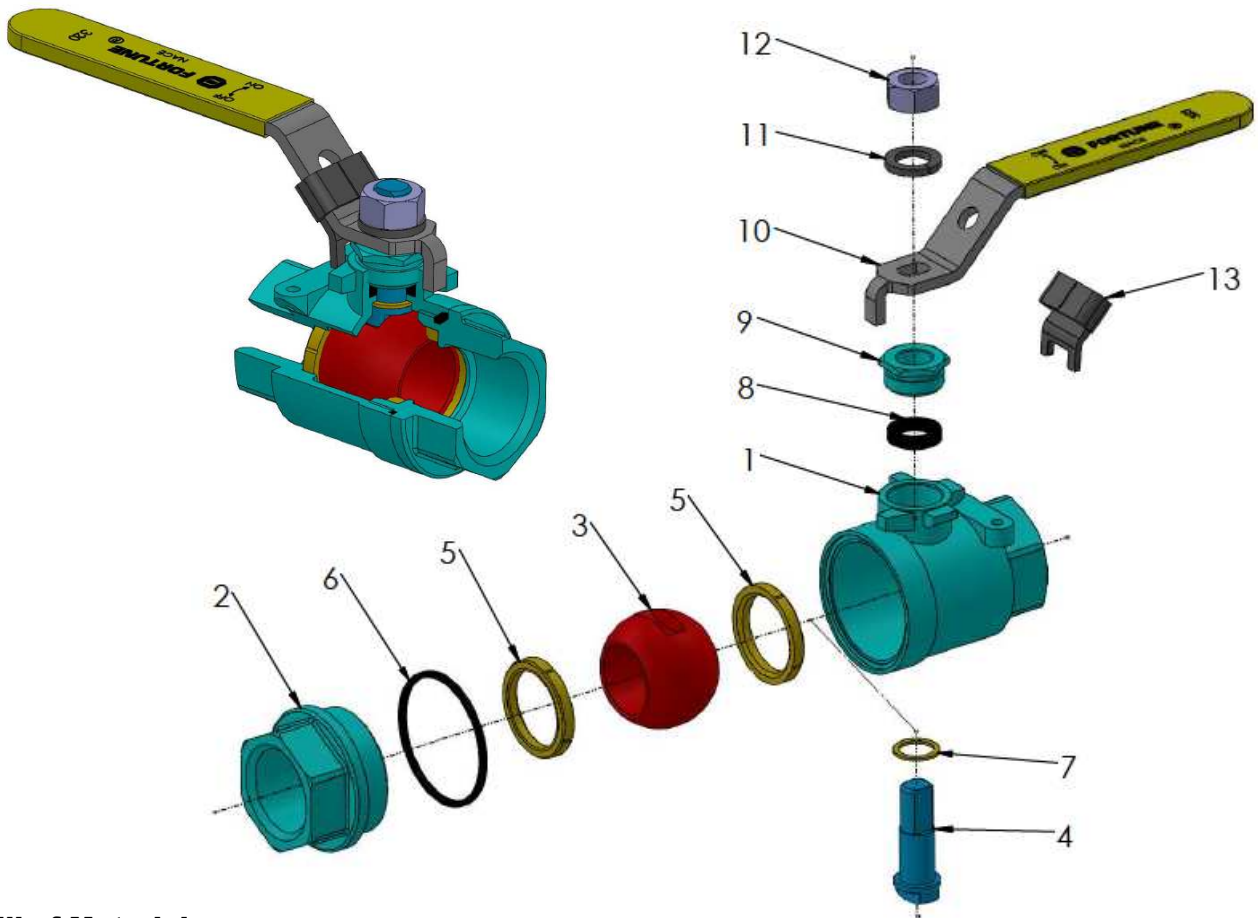
**Blowout proof stem**

**Material to NACE MR0175**

**Standard Marking to MSS SP-25**

**Pressure Tests to MSS SP-110**

**Standard Locking Handle**

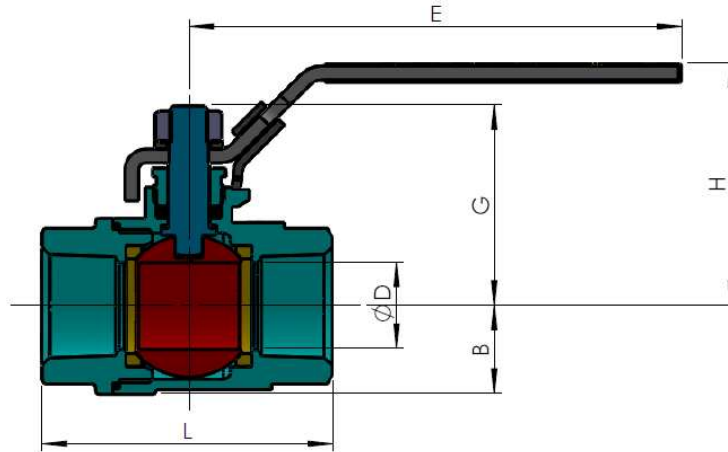


## Bill of Materials

ITEM	PART	320:STAINLESS STEEL	420: CARBON STEEL	Q'TY
1	BODY	ASTM A351 CF8M	ASTM A216 WCB	1
2	END CAP	ASTM A351 CF8M	ASTM A216 WCB	1
3	BALL	ASTM A351 CF8M	ASTM A351 CF8	1
4	STEM	ASTM A479 316	ASTM A479 304	1
☆ 5	SEAT	PTFE/RTFE	PTFE/RTFE	2
☆ 6	BODY GASKET	PTFE	PTFE	1
☆ 7	THRUST WASHER	PTFE	PTFE	1
☆ 8	PACKING	PTFE	PTFE	1
9	GLAND RETAINER NUT	304SS	304SS	1
10	HANDLE	304SS	C/S PLATED	1
11	STEM WASHER	304SS	C/S PLATED	1
12	HANDLE NUT	304SS	C/S PLATED	1
13	LOCKING DEVICE	304SS	C/S PLATED	1

Note : ☆ Minor repair kit

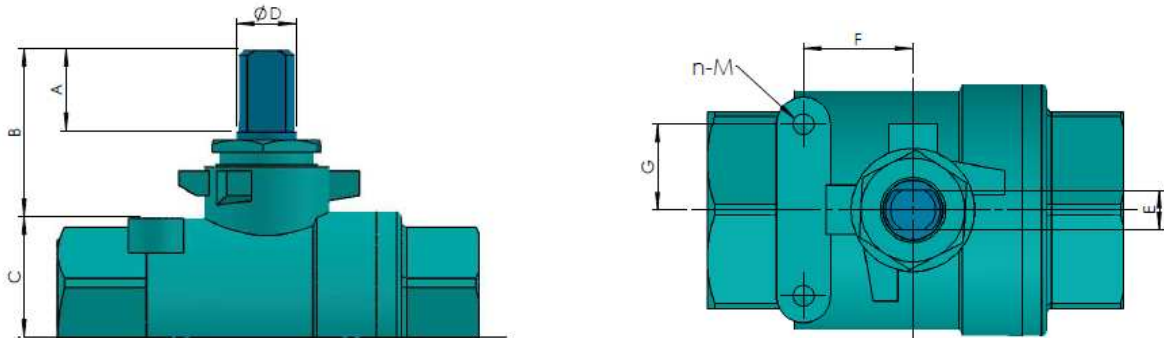
# Fortune Series 320/420



## Weights and Dimensions

SIZE	WOG/PN	D	L	B	G	H	E	Cv	WEIGHT
In / DN		In / mm	In / mm	In / mm	In / mm	In / mm	In / mm	gal / min	Kg / Lbs
1/4 / 8	1000 / 64	0.31 / 8.0	1.73 / 44	0.45 / 12	1.07 / 27	1.73 / 44	3.79 / 96	13	0.15 / 0.3
3/8 / 10	1000 / 64	0.31 / 8.0	1.90 / 48	0.45 / 12	1.07 / 27	1.73 / 44	3.79 / 96	24	0.16 / 0.4
1/2 / 15	1000 / 64	0.44 / 11.2	2.23 / 57	0.59 / 15	1.24 / 32	1.78 / 45	4.29 / 109	28	0.25 / 0.6
3/4 / 20	1000 / 64	0.69 / 17.6	2.42 / 62	0.74 / 19	1.64 / 42	2.10 / 53	4.29 / 109	63	0.37 / 0.8
1 / 25	1000 / 64	0.94 / 24.0	3.09 / 79	0.93 / 24	1.95 / 50	2.63 / 67	5.49 / 140	102	0.69 / 1.5
1-1/4 / 32	1000 / 64	1.20 / 30.5	3.35 / 85	1.16 / 30	2.16 / 55	2.84 / 72	5.49 / 140	162	0.94 / 2.1
1-1/2 / 40	1000 / 64	1.44 / 36.6	3.53 / 90	1.31 / 33	2.66 / 68	3.13 / 80	6.50 / 165	254	1.37 / 3.0
2 / 50	1000 / 64	1.94 / 49.3	4.31 / 110	1.67 / 43	3.02 / 77	3.47 / 88	6.50 / 165	468	2.30 / 5.1
2-1/2 / 65	1000 / 64	2.44 / 62.0	5.24 / 133	2.14 / 54	4.09 / 104	5.19 / 132	10.0 / 254	806	4.51 / 10.0
3 / 80	1000 / 64	2.94 / 74.7	6.06 / 154	2.51 / 64	4.40 / 112	5.50 / 140	10.0 / 254	1120	6.76 / 14.9

Note : "L" DIMENSION ± 0.06 in. / 1.5 mm



## Actuator Mounting Dimensions

SIZE	A	B	C	D	E	F	G	n-M
In / DN	In / mm	In / mm	In / mm	In / mm	In / mm	In / mm	In / mm	mm
1/4 / 8	0.28 / 7	0.65 / 17	0.41 / 11	0.31 / 8	0.18 / 5	0.50 / 13	0.51 / 13	M5
3/8 / 10	0.28 / 7	0.61 / 16	0.45 / 12	0.31 / 8	0.18 / 5	0.50 / 13	0.51 / 13	M5
1/2 / 15	0.33 / 8	0.69 / 18	0.55 / 14	0.31 / 8	0.22 / 6	0.50 / 13	0.56 / 14	M5
3/4 / 20	0.41 / 10	0.93 / 24	0.71 / 18	0.33 / 9	0.22 / 6	0.71 / 18	0.69 / 17	M5
1 / 25	0.42 / 11	1.04 / 27	0.91 / 23	0.37 / 10	0.25 / 6	0.87 / 22	0.69 / 17	M5X7 DEEP
1 1/4 / 32	0.41 / 11	1.09 / 28	1.06 / 27	0.37 / 10	0.25 / 6	0.93 / 24	0.75 / 19	M6X7 DEEP
1 1/2 / 40	0.63 / 16	1.32 / 34	1.34 / 34	0.55 / 14	0.43 / 11	0.93 / 24	0.75 / 19	M6X7 DEEP
2 / 50	0.65 / 17	1.25 / 32	1.77 / 45	0.55 / 14	0.43 / 11	0.93 / 24	0.75 / 19	M6X5 DEEP
2 1/2 / 65	0.91 / 23	1.86 / 47	2.22 / 57	0.77 / 20	0.47 / 12	1.30 / 33	1.08 / 28	M6X6 DEEP
3 / 80	0.91 / 23	1.72 / 44	2.68 / 68	0.77 / 20	0.47 / 12	1.38 / 35	1.08 / 28	M6X6 DEEP

Note : 1/4"-2" : topped 2 hole mounting pad ; 2-1/2"-3" : topped 4 hole mounting pad.