

Fortune Series 312

Unibody Regular Port Threaded Ball Valve

1/4" ~ 2" sizes, 1000 WOG

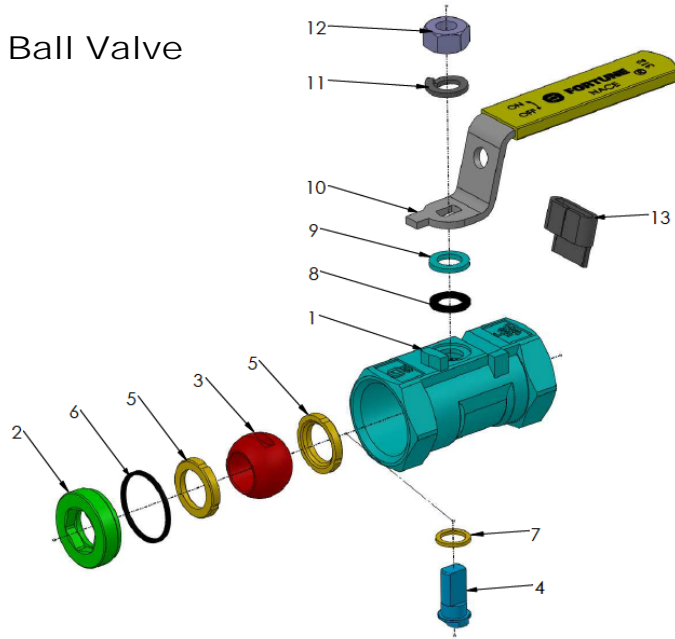
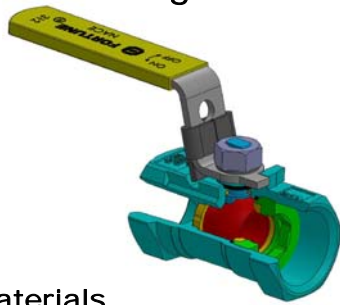
Blowout proof stem

Materials to NACE MR0175

Standard Marking to MSS SP 25

Pressure Tests to MSS SP 110

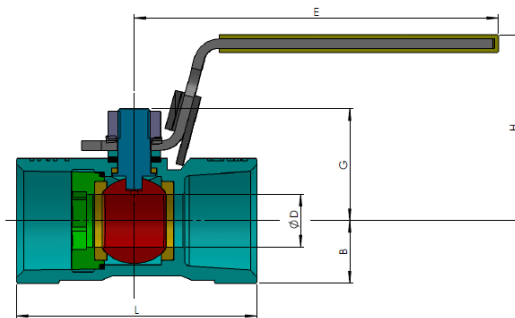
Standard Locking Handle



Bill of Materials

ITEM	PART	STAINLESS STEEL	Q'TY
1	BODY	ASTM A351 CF8M	1
2	SEAT RETAINER	ASTM A351 CF8M	1
3	BALL	ASTM A351 CF8M	1
4	STEM	ASTM A479 316	1
☆ 5	SEAT	PTFE	2
☆ 6	GASKET	PTFE	1
☆ 7	THRUST WASHER	PTFE	1
☆ 8	PACKING	PTFE	1
9	GLAND	304SS	1
10	HANDLE	304SS	1
11	WASHER	304SS	1
12	HANDLE NUT	304SS	1
13	LOCKING DEVICE	304SS	1

Note : ☆ Minor repair kit :



Weights and Dimensions

SIZE	WOG / PN	D	L	B	G	H	E	Cv	WEIGHT
In / DN		In / mm	In / mm	In / mm	In / mm	In / mm	In / mm	gal / min	Kg / Lbs
1/4 / 8	1000 / 64	0.20 / 5.0	1.57 / 40	0.32 / 8	0.69 / 17	1.21 / 31	2.91 / 74	2.1	0.06 / 0.13
3/8 / 10	1000 / 64	0.28 / 7.0	1.81 / 46	0.41 / 11	0.82 / 21	1.41 / 36	3.15 / 80	4.1	0.10 / 0.22
1/2 / 15	1000 / 64	0.31 / 8.0	2.28 / 58	0.49 / 13	1.00 / 26	1.49 / 38	3.86 / 98	5	0.18 / 0.40
3/4 / 20	1000 / 64	0.49 / 12.5	2.40 / 61	0.63 / 16	1.15 / 29	1.62 / 41	3.86 / 98	9	0.26 / 0.57
1 / 25	1000 / 64	0.63 / 16.0	2.87 / 73	0.75 / 19	1.34 / 34	2.11 / 54	4.29 / 109	13	0.42 / 0.93
1-1/4 / 32	1000 / 64	0.79 / 20.0	3.08 / 78	0.94 / 24	1.52 / 39	2.30 / 59	4.29 / 109	21	0.62 / 1.37
1-1/2 / 40	1000 / 64	0.96 / 24.5	3.32 / 84	1.04 / 27	1.77 / 45	2.52 / 64	5.94 / 151	32	0.84 / 1.85
2 / 50	1000 / 64	1.26 / 32.0	3.98 / 101	1.32 / 34	2.00 / 51	2.74 / 70	5.94 / 151	55	1.42 / 3.13

Note : "L" DIMENSION ± 0.06 in. / 1.5 mm