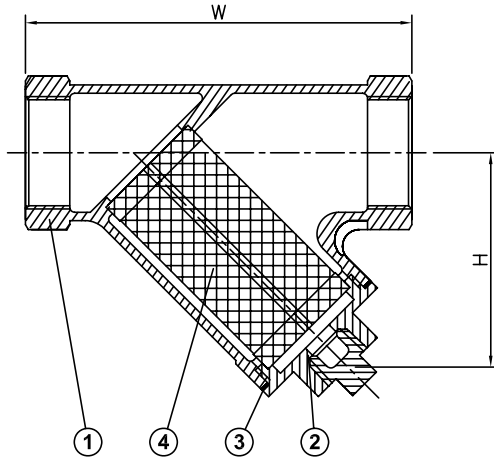


BRONZE Y-STRAINERS



SERIES 640

BRONZE, THREADED ENDS, 300 WOG, 150 SWP.



MATERIALS LIST:

NO.	PART	SPECIFICATION
1	BODY	BRONZE ASTM B584 C84400
2	CAP	BRONZE ASTM B584 C84400
3	GASKET	BLUE GARD STYLE
4	SCREEN	AISI 304 (20 MESHES)



DIMENSIONS:

SIZE		W		H	
IN	MM	IN	MM	IN	MM
1/4"	8	2.36	60	1.89	48
3/8"	10	2.56	65	1.89	48
1/2"	15	3.15	80	2.36	60
3/4"	20	3.94	100	2.76	70
1"	25	4.53	115	2.95	75
1-1/4"	32	5.31	135	3.54	90
1-1/2"	40	6.30	160	4.02	102
2"	50	7.48	190	5.04	128
2-1/2"	65	9.02	229	5.20	132
3"	80	10.39	264	5.75	146

DUE TO CONTINUOUS DEVELOPMENT OF OUR PRODUCTS, WE RESERVE THE RIGHT TO MODIFY OUR PRODUCT DESIGN OR CONSTRUCTION WITHOUT PRIOR NOTICE.