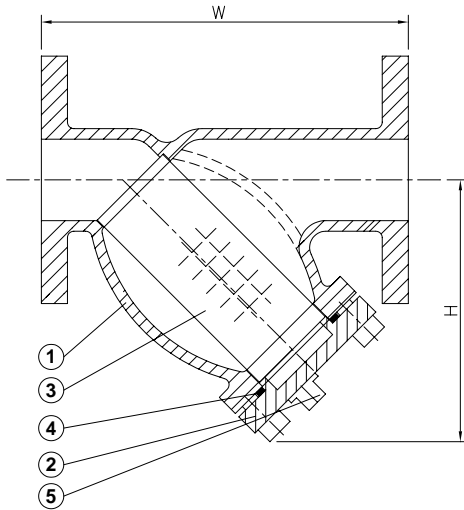


CAST IRON Y-STRAINERS



SERIES 540

CLASS 125, FLANGED ENDS (TO ANSI B16.1), SIZE:2"-16"



MATERIALS LIST:

NO.	PART	SPECIFICATION
1	BODY	ASTM A126 CLASS B
2	COVER	ASTM A126 CLASS B
3	SCREEN	AISI 304
4	GASKET	GRAPHITE WITH SOFE STEEL
5	BLOWOFF PLUG	ASTM A126 CLASS B



DIMENSIONS:

SIZE		W		H		BLOW OFF NPT
IN	MM	IN	MM	IN	MM	
2"	50	8.88	225.5	6	152.4	1/2
2-1/2"	65	10.75	273.0	8	203.2	1
3"	80	11.50	292.1	8.75	222.3	1
4"	100	13.88	352.5	9.5	241.3	1
5"	125	16.38	416.1	11.5	292.1	1-1/4
6"	150	18.50	469.9	12.63	320.8	1-1/2
8"	200	21.38	543.0	16.38	416.1	1-1/2
10"	250	26.00	660.4	19	482.6	2
12"	300	30.00	762.0	22	558.8	2
14"	350	37.38	949.5	29	736.6	2
16"	400	42.50	1079.5	33	838.2	2

DUE TO CONTINUOUS DEVELOPMENT OF OUR PRODUCTS, WE RESERVE THE RIGHT TO MODIFY OUR PRODUCT DESIGN OR CONSTRUCTION WITHOUT PRIOR NOTICE.