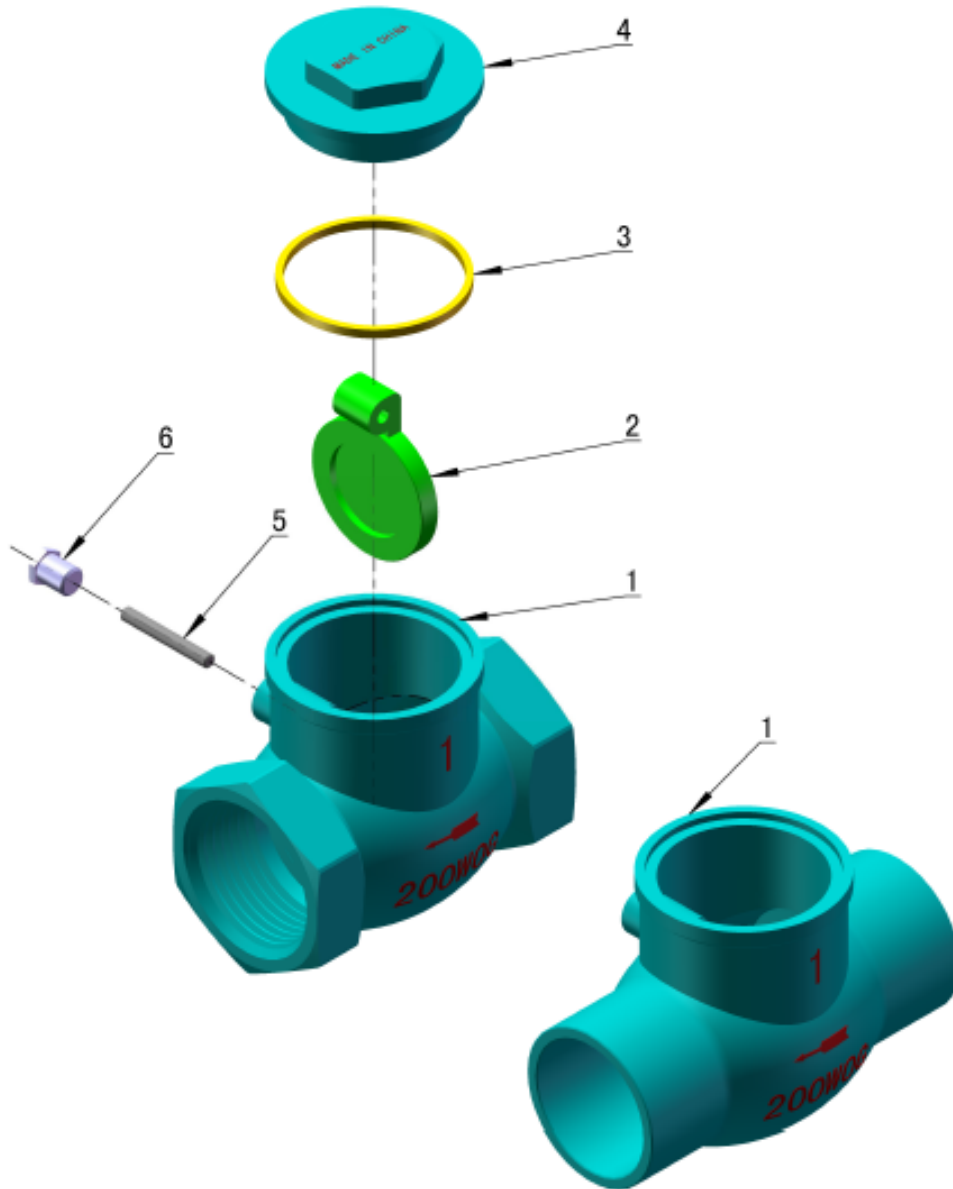


Fortune Series 170

Swing Type, Screwed Cap, Metal Disc, Hinge Type, Threaded Ends(Size: 1/2" to 4") & Solder Ends (Size: 1/2" to 2"), 200 WOG.

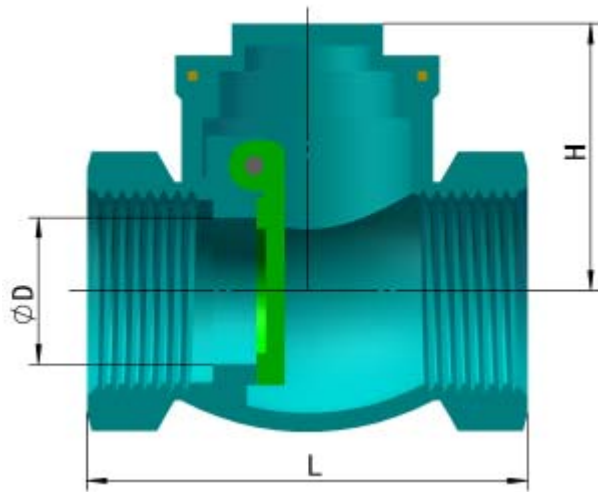
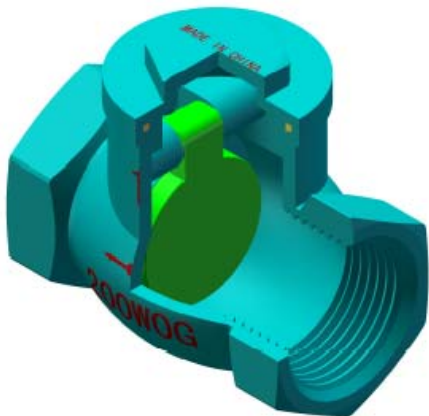


Bill of Materials

ITEM	PART	SPECIFICATION		Q'TY
1	BODY	FORGED BRASS	CAST BRASS	1
2	FLAPPER	FORGED BRASS	CAST BRASS	1
3	GASKET	PTFE	PTFE	1
4	BONNET	FORGED BRASS	CAST BRASS	1
5	PIN	COPPER ALLOY	COPPER ALLOY	1
6	SCREW	COPPER ALLOY	COPPER ALLOY	1

Fortune Series 170

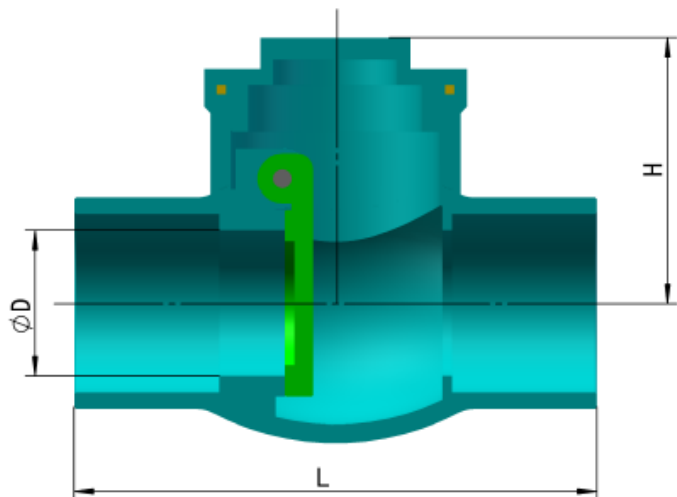
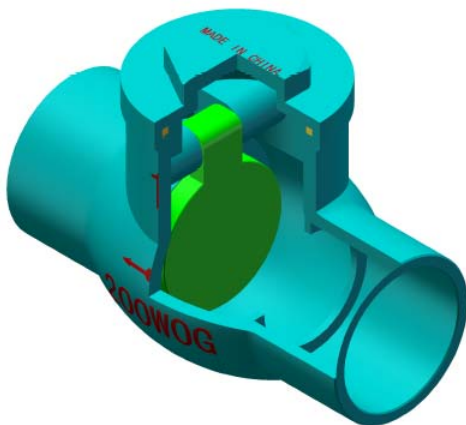
170-TF



Dimensions

SIZE	D	H	L	A
In / DN	In / mm	In / mm	In / mm	In / mm
1/2 / 15	0.51 / 13.0	2.68 / 68	1.61 / 41.0	2.09 / 53
3/4 / 20	0.59 / 15.0	2.91 / 74	1.69 / 43.0	2.09 / 53
1 / 25	0.78 / 20.0	3.35 / 85	2.00 / 51.0	2.28 / 58
1-1/4 / 32	0.98 / 25.0	3.90 / 99	2.15 / 54.5	2.83 / 72
1-1/2 / 40	1.26 / 32.0	4.33 / 110	2.17 / 55.0	2.83 / 72
2 / 50	1.73 / 44.0	5.24 / 133	2.56 / 65.0	3.07 / 78
2-1/2 / 65	2.22 / 56.5	6.73 / 171	3.27 / 83.0	3.78 / 96
3 / 80	2.72 / 69.0	7.72 / 196	3.78 / 96.0	4.25 / 108
4 / 100	3.43 / 87.0	9.05 / 230	4.06 / 103.0	5.04 / 128

170-CC



Dimensions

SIZE	D	H	L	A
In / DN	In / mm	In / mm	In / mm	In / mm
1/2 / 15	0.51 / 13	2.83 / 72	1.65 / 42.0	2.09 / 53
3/4 / 20	0.71 / 18	3.23 / 82	2.07 / 52.5	2.09 / 53
1 / 25	0.87 / 22	3.50 / 89	2.32 / 59.0	2.28 / 58
1-1/4 / 32	1.14 / 29	4.21 / 107	2.91 / 74.0	2.83 / 72
1-1/2 / 40	1.38 / 35	4.69 / 119	3.19 / 81.0	2.83 / 72
2 / 50	1.73 / 44	5.28 / 134	3.70 / 94.0	3.07 / 78