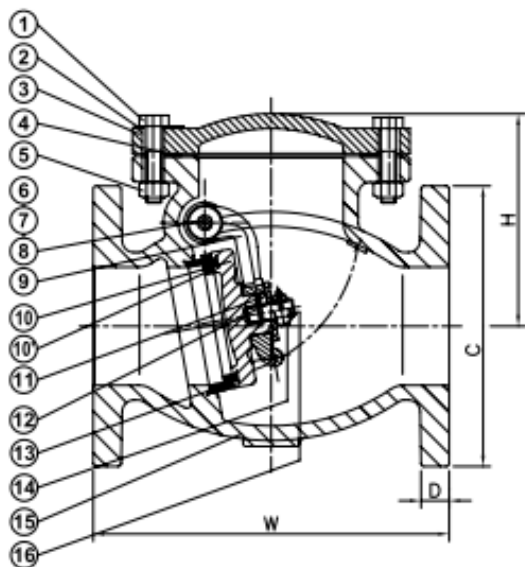


Fortune Series 570

Class 125, Flanged Ends (To ANSI B16.1), Bolted Cover, Face-to-face Dimensions To ANSI B16.10, MSS SP-71 Designed, Size : 2" to 12"



Bill of Materials

ITEM	PART	STAINLESS STEEL	Q'TY
1	BOLT	ASTM A307-B	6
2	IDENTIFICATION PLATE	ALUMINUM	1
3	BONNET	ASTM A126 CLASS B	1
4	BODY GASKET	ASTM A307-B	1
5	NUT	ASTM A307-B	6
6	SIDE PLUG	ASTM B16	1
7	GASKET	NON ASBESTOS	1
8	HANGER PIN	ASTM B16	1
9	HANGER	ASTM A536 65-45-12	1
10	DISC	ASTM A126 CLASS B	1
10'	DISC RING	ASTM B62	1
11	WASHER	ASTM A307-B	1
12	SPLIT PIN	ASTM 420 S42000	1
13	SEAT RING	ASTM B62	1
14	DISC NUT	ASTM A307-B	1
15	BODY	ASTM A126 CLASS B	1
16	STUD BOLT	ASTM A307-B	1

Option 1 : (Code : Description)

Dimensions

SIZE	CLASS	C	D	W	H
In / DN		In / mm	In / mm	In / mm	In / mm
2 / 50	125	6.0 / 152	0.63 / 15.9	8.00 / 203.2	4.45 / 113
2-1/2 / 65	125	7.0 / 178	0.69 / 17.5	8.50 / 215.9	5.24 / 133
3 / 80	125	7.5 / 190	0.75 / 19.0	9.50 / 241.3	5.59 / 142
4 / 100	125	9.0 / 228.6	0.94 / 23.8	11.50 / 292.1	6.42 / 163
5 / 125	125	10.0 / 254	0.94 / 23.8	13.00 / 330.2	7.76 / 197
6 / 150	125	11.0 / 279.4	1.00 / 25.4	14.00 / 355.6	8.35 / 212
8 / 200	125	13.5 / 343	1.13 / 28.6	19.50 / 495.3	10.12 / 257
10 / 250	125	16.0 / 406	1.19 / 30.2	24.50 / 622.3	11.77 / 299
12 / 300	125	19.0 / 483	1.25 / 31.8	27.50 / 698.5	13.03 / 331