

Fortune Series 630

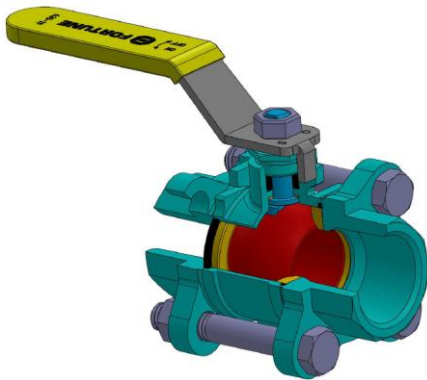
Threaded Ends & Solder Ends Full Port Three-Piece Bronze Ball Valve
1/4" ~ 2" sizes, 600 WOG, 150 SWP

MSS SP-110 Standard

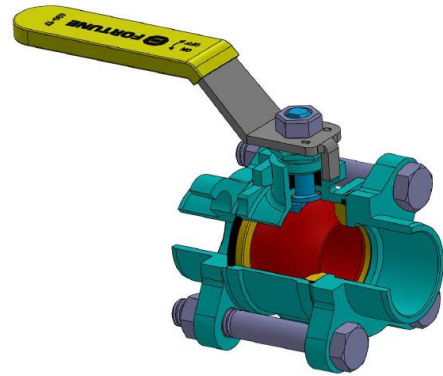
Blowout proof stem

Standard Marking to MSS SP-25

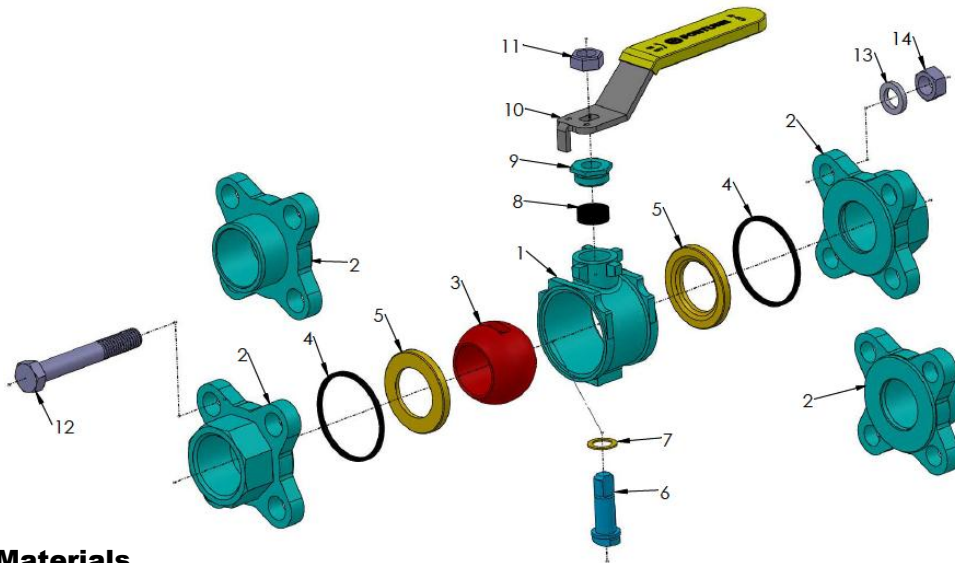
Pressure Tests to MSS SP-110



630-TF



630-CC



Bill of Materials

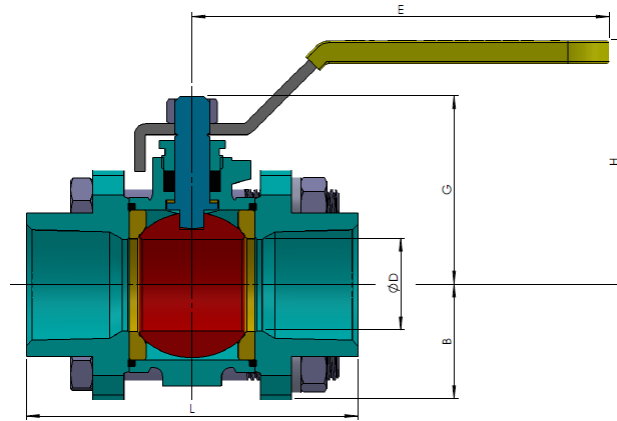
ITEM	PART	STAINLESS STEEL	Q'TY
1	BODY	BRONZE ASTM B584 C84400	1
2	CAP	BRONZE ASTM B584 C84400	2
3	BALL	COPPER ALLOY, CHROME PLATED	1
4	GASKET	PTFE	2
5	SEAT	PTFE	2
6	STEM	COPPER ALLOY	1
7	THRUST WASHER	PTFE	1
8	PACKING	PTFE	1
9	GLAND	COPPER ALLOY	1
10	HANDLE	CARBON STEEL PLATED	1
11	HANDLE NUT	CARBON STEEL PLATED	1
12	BOLT	CARBON STEEL PLATED	4
13	BOLT WASHER	CARBON STEEL	4
14	BOLT NUT	CARBON STEEL	4

Note 1: (Item 4) GASKET from 3/4" to 2"

Option 1 : (Item 3) BALL and (Item 4) STEM : SUS 316. :

Fortune Series 630

630-TF

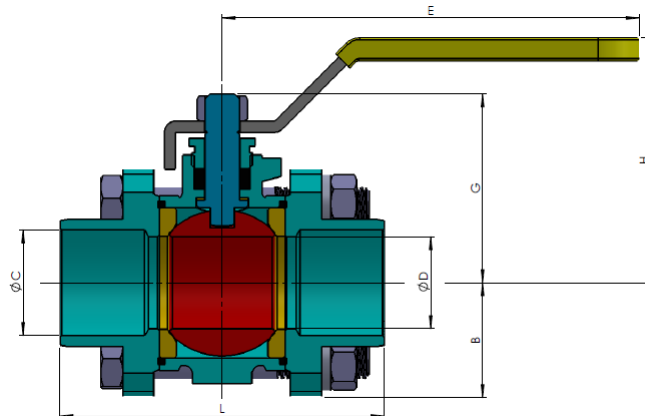


Weights and Dimensions

SIZE	WOG/PN	D	L	B	G	H	E	Cv	WEIGHT
In/DN		In/mm	In/mm	In/mm	In/mm	In/mm	In/mm	gal/min	Kg/lbs
1/4 / 8	600/40	0.37/9.5	1.93/49	0.83/21	1.14/29	1.50/38	3.19/81	14	0.1/0.2
3/8 / 10	600/40	0.37/9.5	1.93/49	0.83/21	1.14/29	1.50/38	3.19/81	14	0.1/0.2
1/2 / 15	600/40	0.50/12.7	2.24/57	0.91/23	1.50/38	1.65/42	3.15/80	27	0.2/0.4
3/4 / 20	600/40	0.75/19.1	3.11/79	1.02/26	1.69/43	2.17/55	3.66/93	78	0.3/0.7
1 / 25	600/40	0.98/25.0	3.58/91	1.22/31	2.01/51	2.56/65	4.41/112	133	0.5/1.1
1-1/4 / 32	600/40	1.22/31.0	4.13/105	1.38/35	2.20/56	2.72/69	4.41/112	210	0.7/1.5
1-1/2 / 40	600/40	1.50/38.0	4.57/116	1.57/40	2.72/69	3.19/81	6.10/155	333	0.9/2.0
2 / 50	600/40	1.97/50.0	5.28/134	1.81/46	3.07/78	3.58/91	6.10/155	613	1.2/2.7

Note : "L" DIMENSION ± 0.06 in. / 1.5 mm

630-CC



Weights and Dimensions

SIZE	WOG/PN	D	C	L	B	G	H	E	Cv	WEIGHT
In/DN		In/mm	In/mm	In/mm	In/mm	In/mm	In/mm	In/mm	gal/min	Kg/lbs
1/4 / 8	600/40	0.37/9.5	0.39/10	1.93/49	0.83/21	1.14/29	1.50/38	3.19/81	14	0.1/0.2
3/8 / 10	600/40	0.37/9.5	0.51/13	1.93/49	0.83/21	1.14/29	1.50/38	3.19/81	14	0.1/0.2
1/2 / 15	600/40	0.50/12.7	0.63/16	2.24/57	0.91/23	1.50/38	1.65/42	3.15/80	28	0.2/0.4
3/4 / 20	600/40	0.75/19.1	0.87/22	2.83/72	0.59/26	1.69/43	2.17/55	3.66/93	61	0.3/0.7
1 / 25	600/40	0.98/25.0	1.14/29	3.46/88	1.02/31	2.01/51	2.56/65	4.41/112	110	0.5/1.1
1-1/4 / 32	600/40	1.22/31.0	1.38/35	3.86/98	1.38/35	2.20/56	2.72/69	4.41/112	168	0.7/1.5
1-1/2 / 40	600/40	1.50/38.0	1.61/41	4.45/113	1.57/40	2.72/69	3.19/81	6.10/155	267	0.8/1.8
2 / 50	600/40	1.97/50.0	2.13/54	5.51/140	1.81/46	3.07/78	3.58/91	6.10/155	485	1.3/2.9

Note : "L" DIMENSION ± 0.06 in. / 1.5 mm