

Fortune Series 628 TH \ CH

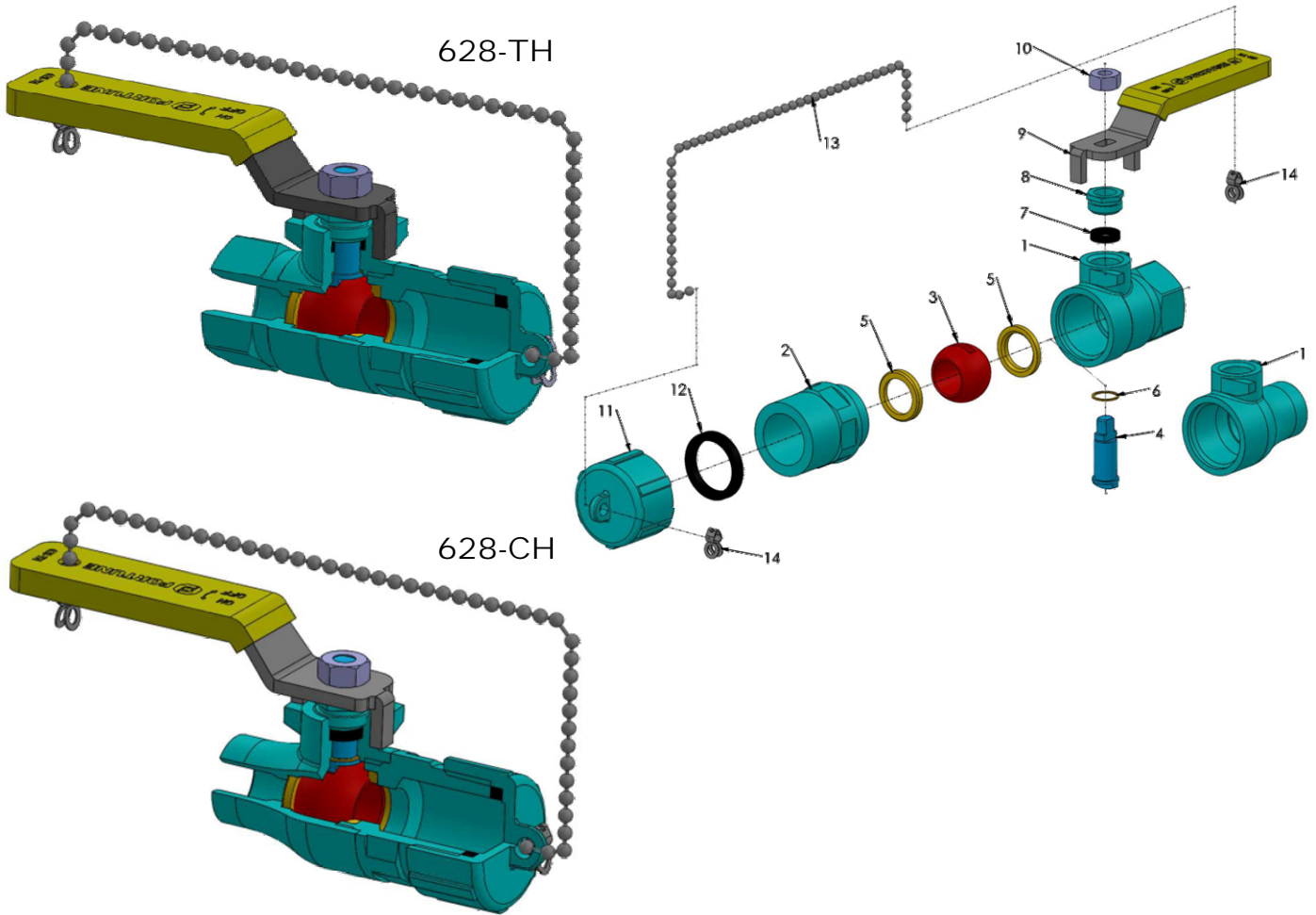
Threaded Ends and Solder Ends Full Port Two-Piece Bronze Ball Valve
1/2" ~ 3/4" sizes, 600 WOG, 150 SWP

MSS SP-110 Standard

Blowout proof stem

Standard Marking to MSS SP-25

Pressure Tests to MSS SP-110

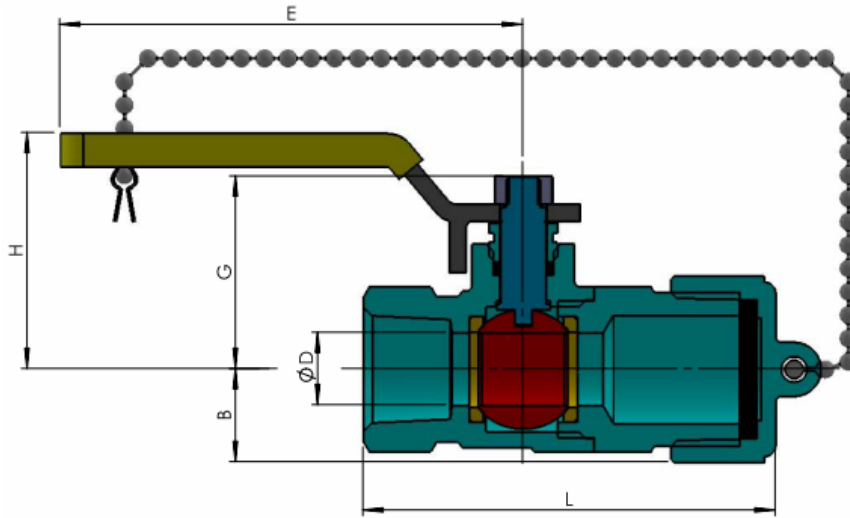


Bill of Materials

ITEM	PART	STAINLESS STEEL	Q'TY
1	BODY	BRONZE ASTM B584 C84400	1
2	CAP	BRONZE ASTM B584 C84400 / FORGED BRASS	1
3	BALL	COPPER ALLOY, CHROME PLATED	1
4	STEM	COPPER ALLOY	1
5	SEAT	PTFE	2
6	THRUST WASHER	PTFE	1
7	PACKING	PTFE	1
8	GLAND	COPPER ALLOY	1
9	HANDLE	CARBON STEEL PLATED	1
10	HANDLE NUT	CARBON STEEL PLATED	1
11	CAP	FORGED BRASS	1
12	PACKING	NBR	1
13	CHAIN	CARBON STEEL PLATED	1
14	FASTENER	CARBON STEEL PLATED	2

Fortune Series 628 TH \ CH

628-TH

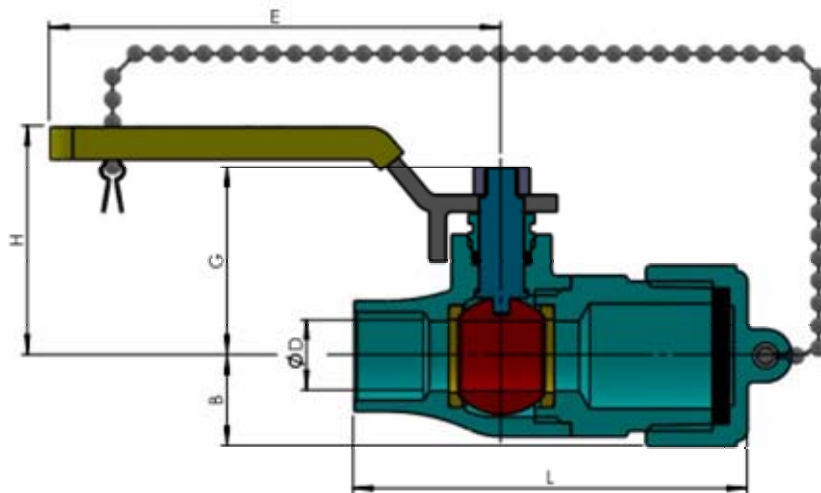


Weights and Dimensions

SIZE	WOG / PN	D	L	B	G	H	E	Cv	WEIGHT
In / DN		In / mm	In / mm	In / mm	In / mm	In / mm	In / mm	gal / min	Kg / lbs
1/2 / 15	600 / 40	0.50 / 12.7	3.31 / 84	0.59 / 15	1.34 / 34	1.61 / 41	3.15 / 80	26	0.4 / 0.9
3/4 / 20	600 / 40	0.75 / 19.0	3.70 / 94	0.71 / 18	1.65 / 42	2.09 / 53	3.66 / 93	61	0.5 / 1.1

Note : "L" DIMENSION \pm 0.06 in. / 1.5 mm

628-CH



Weights and Dimensions

SIZE	WOG / PN	D	L	B	G	H	E	Cv	WEIGHT
In / DN		In / mm	In / mm	In / mm	In / mm	In / mm	In / mm	gal / min	Kg / lbs
1/2 / 15	600 / 40	0.50 / 12.7	3.23 / 82	0.59 / 15	1.34 / 34	1.61 / 41	3.15 / 80	26	0.4 / 0.9
3/4 / 20	600 / 40	0.75 / 19.0	3.90 / 99	0.71 / 18	1.65 / 42	2.09 / 53	3.66 / 93	61	0.6 / 1.3

Note : "L" DIMENSION \pm 0.06 in. / 1.5 mm