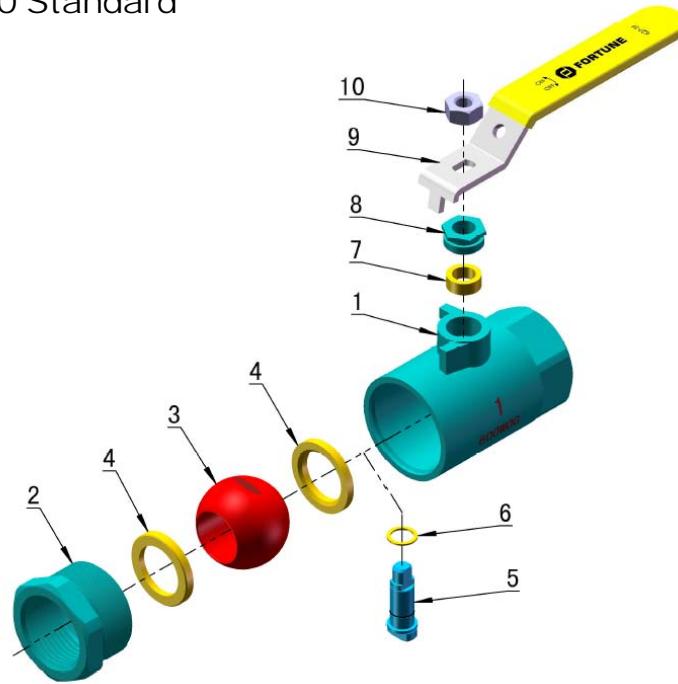


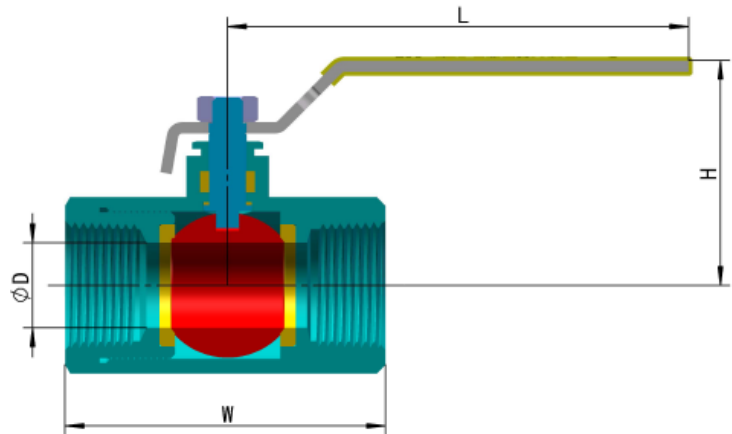
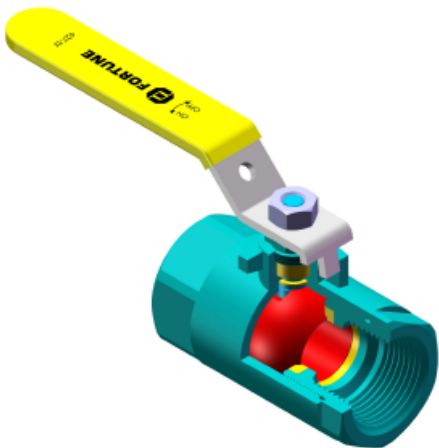
Fortune Series 627

1/2" ~ 1", Threaded Ends, Full Port, Two-Piece Bronze Ball Valve, 600 WOG, 150 SWP, MSS SP-110 Standard



Bill of Materials

ITEM	PART	SPECIFICATION	Q'TY
1	BODY	BRONZE ASTM B584 C8440	1
2	END CAP	FORGED BRASS	1
3	BALL	COPPER ALLOY, CHROME PLATED	1
4	SEAT	PTFE	2
5	STEM	COPPER ALLOY	1
6	THRUST WASHER	PTFE	1
7	PACKING	PTFE	1
8	GLAND	COPPER ALLOY	1
9	HANDLE	CARBON STEEL PLATED	1
10	NUT	CARBON STEEL PLATED	1



Weights and Dimensions

SIZE	D	W	H	L	Weight
In / DN	In / mm	In / mm	In / mm	In / mm	Lb / Kg
1/2 / 15	0.50 / 12.7	2.17 / 55.1	1.68 / 42.7	3.94 / 100	0.57 / 0.26
3/4 / 20	0.69 / 17.5	2.95 / 75.0	2.18 / 55.3	4.72 / 120	1.28 / 0.58
1 / 25	0.87 / 22.2	3.28 / 83.4	2.30 / 58.5	4.72 / 120	1.70 / 0.77