

# Fortune Series 624

**Union Threaded Ends Full Port Two-Piece Bronze Ball Valve**

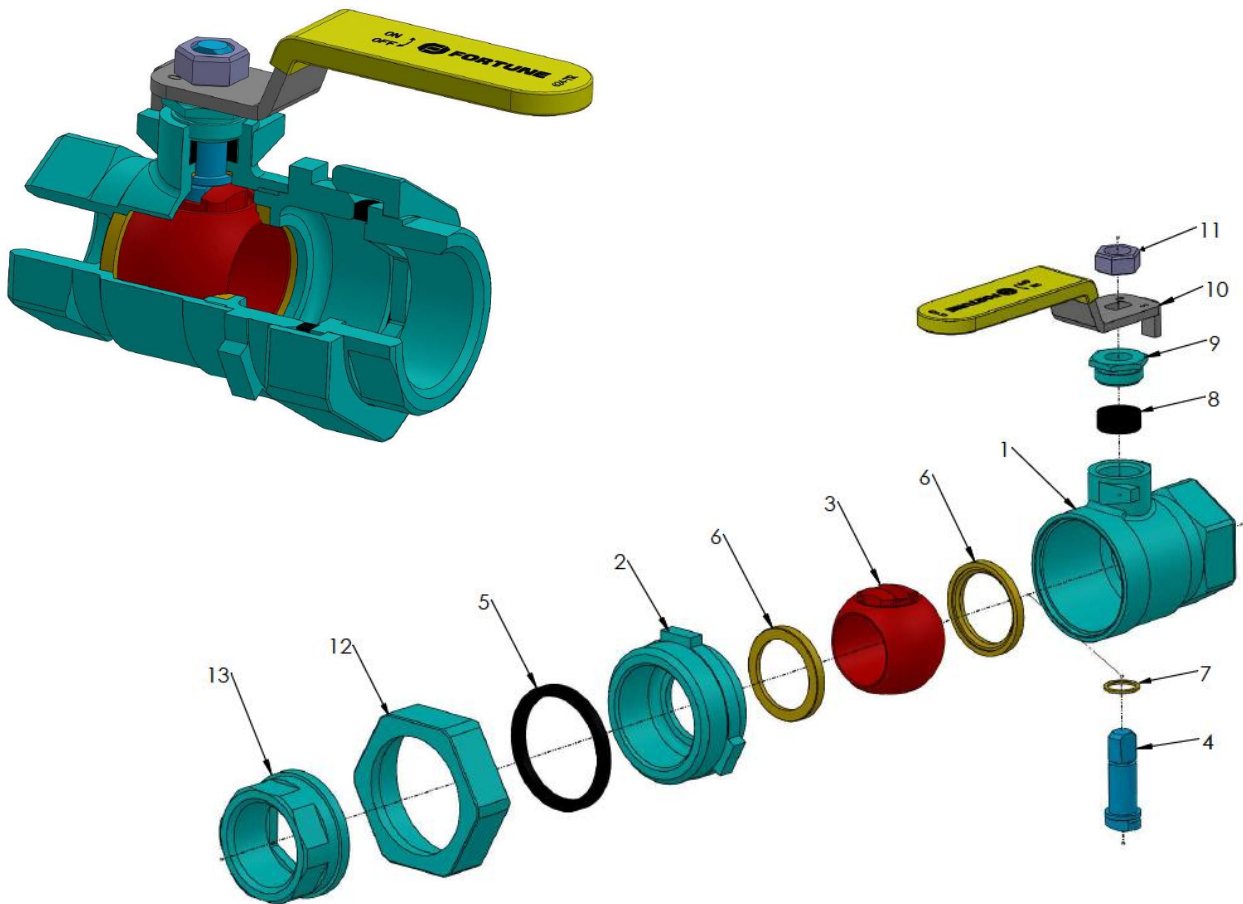
**3/4" ~ 2" sizes, 600 WOG, 150 SWP**

**MSS SP-110 Standard**

**Blowout proof stem**

**Standard Marking to MSS SP-25**

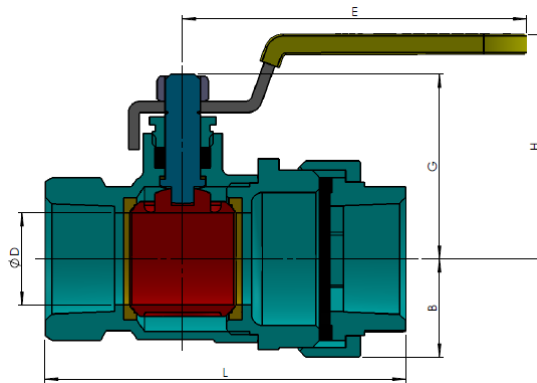
**Pressure Tests to MSS SP-110**



## Bill of Materials

ITEM	PART	STAINLESS STEEL	Q'TY
1	BODY	BRONZE ASTM B584 C84400	1
2	CAP	BRONZE ASTM B584 C84400	1
3	BALL	COPPER ALLOY, CHROME PLATED	1
4	STEM	COPPER ALLOY	1
5	GASKET	EDPM	2
6	SEAT	PTFE	1
7	THRUST WASHER	PTFE	1
8	PACKING	PTFE	1
9	GLAND	COPPER ALLOY	1
10	HANDLE	CARBON STEEL PLATED	1
11	HANDLE NUT	CARBON STEEL PLATED	1
12	UNION NUT	BRONZE ASTM B584 C84400	1
13	ADAPTER	BRONZE ASTM B584 C84400	1

# Fortune Series 624



## Weights and Dimensions

SIZE	WOG / PN	D	L	B	G	H	E	Cv	WEIGHT
In / DN		In / mm	In / mm	In / mm	In / mm	In / mm	In / mm	gal / min	Kg / lbs
3/4 / 20	600 / 40	0.75 / 19.0	3.62 / 92	0.94 / 24	1.65 / 42	2.13 / 54	3.66 / 93	61	0.5 / 1.1
1 / 25	600 / 40	0.98 / 25.0	4.39 / 104	1.18 / 30	1.97 / 50	2.36 / 60	3.62 / 92	110	0.6 / 1.3
1-1/4 / 32	600 / 40	1.20 / 30.5	4.57 / 116	1.34 / 34	2.13 / 54	2.52 / 64	3.62 / 92	168	0.9 / 2.0
1-1/2 / 40	600 / 40	1.50 / 38.0	4.92 / 125	1.61 / 41	2.64 / 67	2.99 / 76	4.37 / 111	267	1.2 / 2.7
2 / 50	600 / 40	1.97 / 50.0	5.63 / 143	1.93 / 49	2.99 / 76	3.31 / 84	4.61 / 117	485	1.9 / 4.2

Note : "L" DIMENSION  $\pm$  0.06 in. / 1.5 mm