

Fortune Series 623

Threaded Ends, With Female Tapped Boss Full Port

Two-Piece Bronze Ball Valve

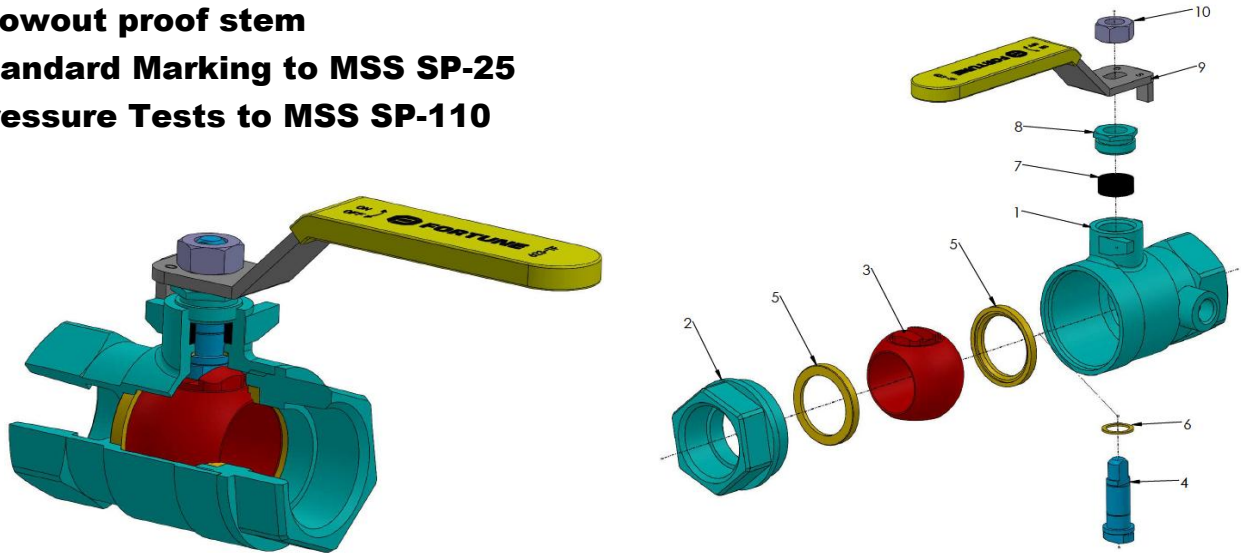
1/2" ~ 2" sizes, 600 WOG, 150 SWP

MSS SP-110 Standard

Blowout proof stem

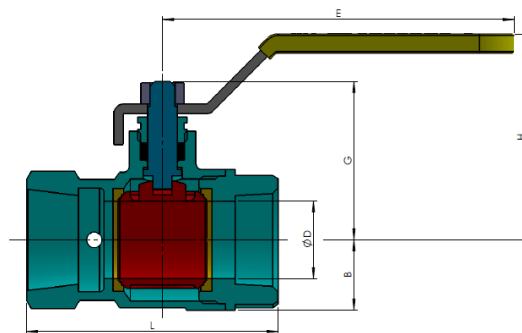
Standard Marking to MSS SP-25

Pressure Tests to MSS SP-110



Bill of Materials

ITEM	PART	STAINLESS STEEL	Q'TY
1	BODY	BRONZE ASTM B584 C84400	1
2	SEAT RETAINER	BRONZE ASTM B584 C84400	1
3	BALL	COPPER ALLOY, CHROME PLATED	1
4	STEM	COPPER ALLOY	1
5	SEAT	PTFE	2
6	THRUST WASHER	PTFE	1
7	PACKING	PTFE	1
8	GLAND	COPPER ALLOY	1
9	HANDLE	CARBON STEEL PLATED	1
10	HANDLE NUT	CARBON STEEL PLATED	1



Weights and Dimensions

SIZE	WOG / PN	D	L	B	G	H	E	Cv	WEIGHT
In / DN		In / mm	In / mm	In / mm	In / mm	In / mm	In / mm	gal / min	Kg / lbs
1/2 / 15	600 / 40	0.50 / 12.7	2.44 / 62	0.59 / 15	1.43 / 36	1.65 / 42	3.15 / 80	26	0.2 / 0.4
3/4 / 20	600 / 40	0.75 / 19.0	2.72 / 69	0.71 / 18	1.66 / 42	2.12 / 54	3.64 / 93	61	0.3 / 0.7
1 / 25	600 / 40	0.98 / 25.0	3.19 / 81	0.91 / 23	1.96 / 50	2.50 / 64	4.39 / 112	110	0.6 / 1.3
1-1/4 / 32	600 / 40	1.20 / 30.5	3.66 / 93	1.06 / 27	2.12 / 54	2.66 / 68	4.39 / 112	168	0.9 / 2.0
1-1/2 / 40	600 / 40	1.50 / 38.0	3.97 / 101	1.29 / 33	2.55 / 65	3.14 / 80	6.10 / 155	267	1.5 / 3.3
2 / 50	600 / 40	1.97 / 50.0	4.76 / 121	1.65 / 42	3.04 / 77	3.52 / 89	6.10 / 155	485	2.4 / 5.3

Note : "L" DIMENSION ± 0.06 in. / 1.5 mm