

Fortune Series 620

Threaded Ends & Solder Ends Full Port Two-Piece Bronze Ball Valve

1/4" ~ 3" sizes, 600 WOG, 150 SWP For 620-TF

1/4" ~ 2" sizes, 600 WOG, 150 SWP and 2-1/2" ~ 3" sizes, 400 WOG, 150 SWP For 620-CC

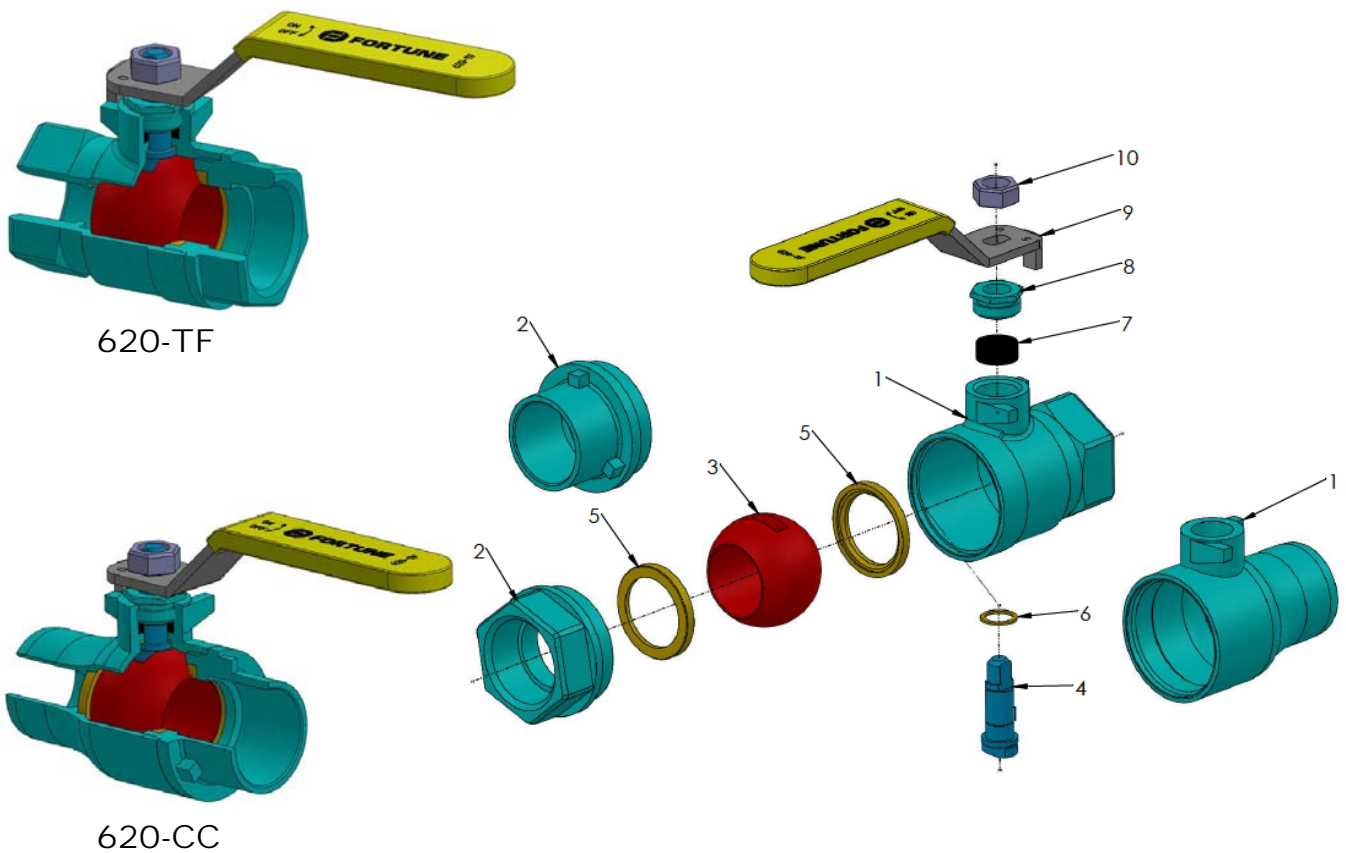
MSS SP-110 Standard

Blowout proof stem

Standard Marking to MSS SP-25

Pressure Tests to MSS SP-110

Option Locking Handle to 1/4" ~ 2" sizes



Bill of Materials

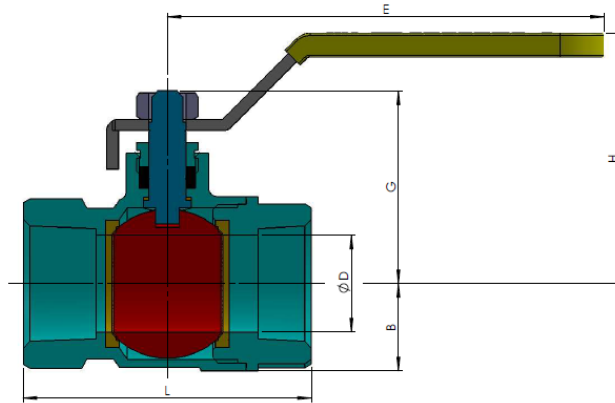
ITEM	PART	STAINLESS STEEL	Q'TY
1	BODY	BRONZE ASTM B584 C84400	1
2	SEAT RETAINER	BRONZE ASTM B584 C84400	1
3	BALL	COPPER ALLOY, CHROME PLATED	1
4	STEM	COPPER ALLOY	1
5	SEAT	PTFE	2
6	THRUST WASHER	PTFE	1
7	PACKING	PTFE	1
8	GLAND	COPPER ALLOY	1
9	HANDLE	CARBON STEEL PLATED	1
10	HANDLE NUT	CARBON STEEL PLATED	1

Option 1 : (Item 9) HANDLE and (Item 10) HANDLE NUT : SUS 304. ;

Option 2 : 1/4" ~ 2" to Locking Handle

Fortune Series 620

620-TF

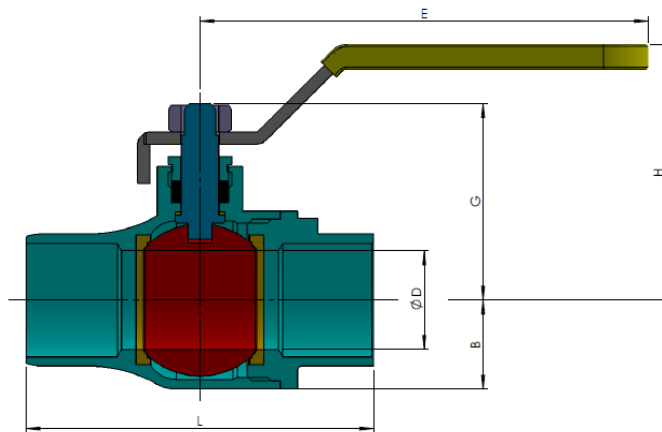


Weights and Dimensions

SIZE	WOG / PN	D	L	B	G	H	E	Cv	WEIGHT
In / DN		In / mm	In / mm	In / mm	In / mm	In / mm	In / mm	gal / min	Kg / lbs
1/4 / 8	600 / 40	0.37 / 9.5	1.87 / 48	0.49 / 13	1.20 / 31	1.46 / 37	3.15 / 80	14	0.1 / 0.2
3/8 / 10	600 / 40	0.37 / 9.5	1.87 / 48	0.49 / 13	1.20 / 31	1.46 / 37	3.15 / 80	14	0.2 / 0.4
1/2 / 15	600 / 40	0.50 / 12.7	2.15 / 55	0.57 / 15	1.43 / 36	1.96 / 50	3.15 / 93	26	0.2 / 0.4
3/4 / 20	600 / 40	0.75 / 19.0	2.43 / 62	0.72 / 18	1.66 / 42	2.12 / 54	3.64 / 93	61	0.3 / 0.7
1 / 25	600 / 40	0.98 / 25.0	2.94 / 75	0.89 / 23	1.96 / 50	2.50 / 64	4.39 / 112	110	0.5 / 1.1
1-1/4 / 32	600 / 40	1.20 / 30.5	3.32 / 84	1.06 / 27	2.12 / 54	2.66 / 68	4.39 / 112	168	0.8 / 1.8
1-1/2 / 40	600 / 40	1.50 / 38.0	3.64 / 93	1.29 / 33	2.55 / 65	3.14 / 80	6.10 / 155	267	1.2 / 2.6
2 / 50	600 / 40	1.97 / 50.0	4.18 / 106	1.63 / 42	3.04 / 77	3.52 / 89	6.10 / 155	485	2.0 / 4.4
2-1/2 / 65	600 / 40	2.50 / 63.5	6.11 / 155	2.15 / 55	3.72 / 95	3.76 / 96	7.01 / 178	804	4.3 / 9.5
3 / 80	600 / 40	3.00 / 76.2	6.64 / 169	2.54 / 64	4.09 / 104	4.13 / 105	7.01 / 178	1158	6.6 / 14.5

Note : "L" DIMENSION ± 0.06 in. / 1.5 mm

620-CC

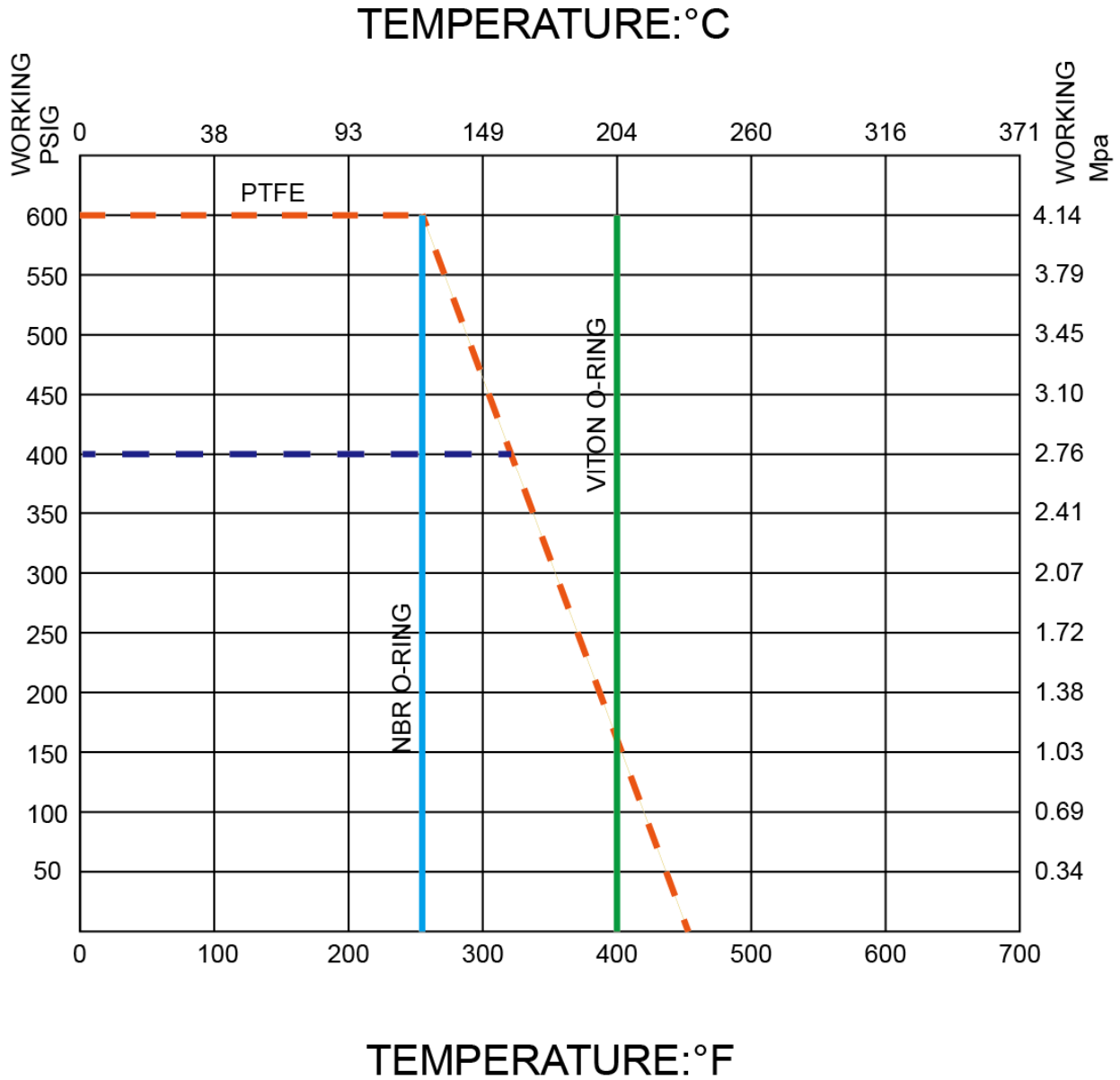


Weights and Dimensions

SIZE	WOG / PN	D	L	B	G	H	E	Cv	WEIGHT
In / DN		In / mm	In / mm	In / mm	In / mm	In / mm	In / mm	gal / min	Kg / lbs
1/4 / 8	600 / 40	0.37 / 9.5	1.57 / 40	0.46 / 12	1.20 / 31	1.46 / 37	3.15 / 80	14	0.1 / 0.2
3/8 / 10	600 / 40	0.37 / 9.5	1.57 / 40	0.46 / 12	1.20 / 31	1.46 / 37	3.15 / 80	14	0.1 / 0.2
1/2 / 15	600 / 40	0.50 / 12.7	2.09 / 53	0.57 / 15	1.43 / 36	1.96 / 50	3.64 / 93	26	0.1 / 0.2
3/4 / 20	600 / 40	0.75 / 19.0	2.83 / 72	0.72 / 18	1.66 / 42	2.12 / 54	3.64 / 93	61	0.2 / 0.4
1 / 25	600 / 40	0.98 / 25.0	3.46 / 88	0.89 / 23	1.99 / 51	2.53 / 64	4.39 / 112	110	0.3 / 0.7
1-1/4 / 32	600 / 40	1.20 / 30.5	3.87 / 98	1.08 / 28	2.12 / 54	2.66 / 68	4.39 / 112	168	0.5 / 1.1
1-1/2 / 40	600 / 40	1.50 / 38.0	4.46 / 113	1.29 / 33	2.55 / 65	3.14 / 80	6.10 / 155	267	0.8 / 1.8
2 / 50	600 / 40	1.97 / 50.0	5.51 / 140	1.63 / 42	3.04 / 77	3.52 / 89	6.10 / 155	485	1.5 / 3.3
2-1/2 / 65	600 / 40	2.50 / 63.5	6.37 / 162	2.15 / 55	3.72 / 95	3.76 / 96	7.01 / 178	804	3.9 / 8.6
3 / 80	600 / 40	3.00 / 76.2	7.33 / 186	2.54 / 64	4.09 / 104	4.13 / 105	7.01 / 178	1158	6.6 / 14.5

Note : "L" DIMENSION ± 0.06 in. / 1.5 mm

PRESSURE/TEMPERATURE CURVE



TORQUE DATA

Torque Data is published separately and available upon request. Please contact your local representative for details.